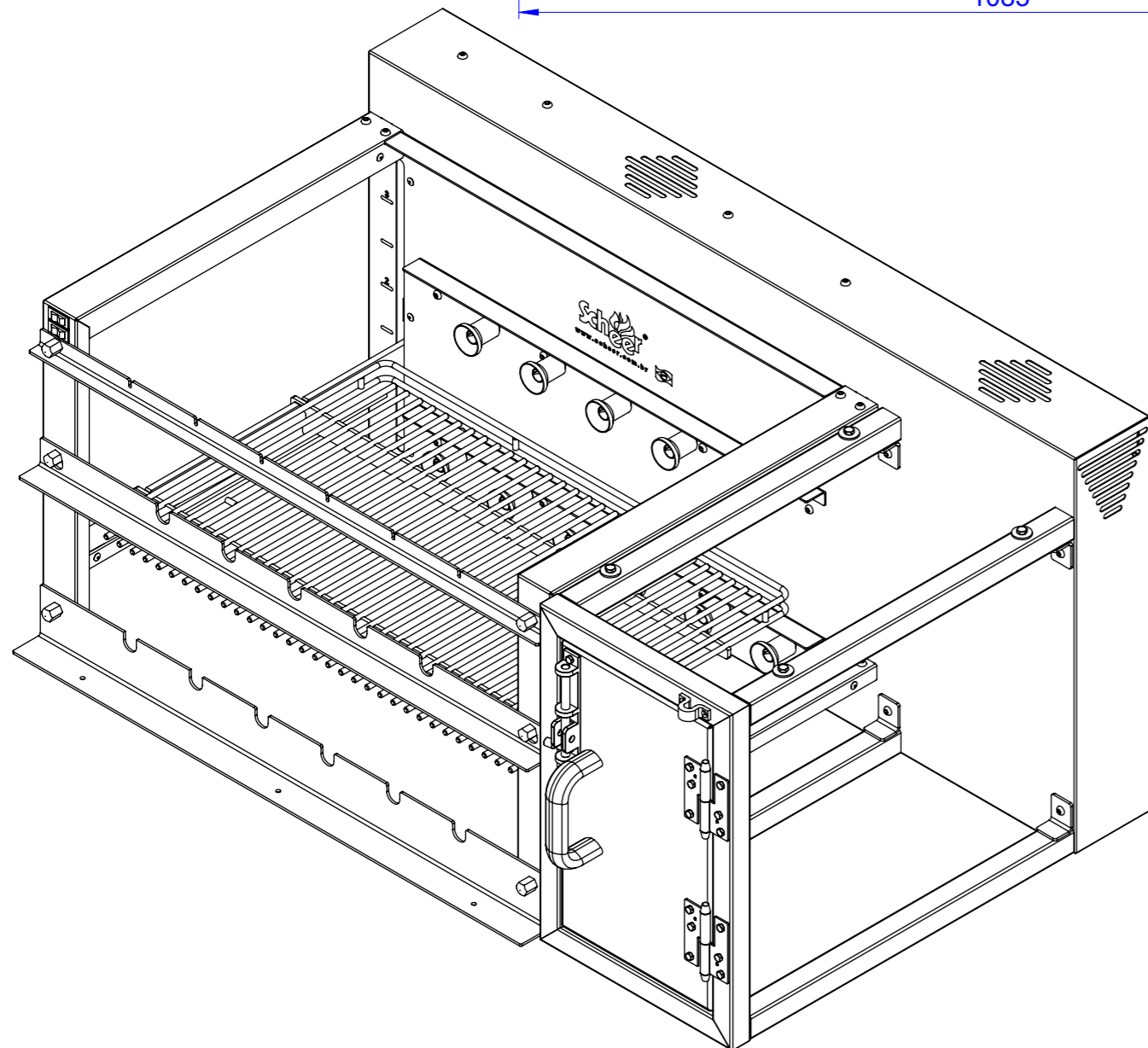
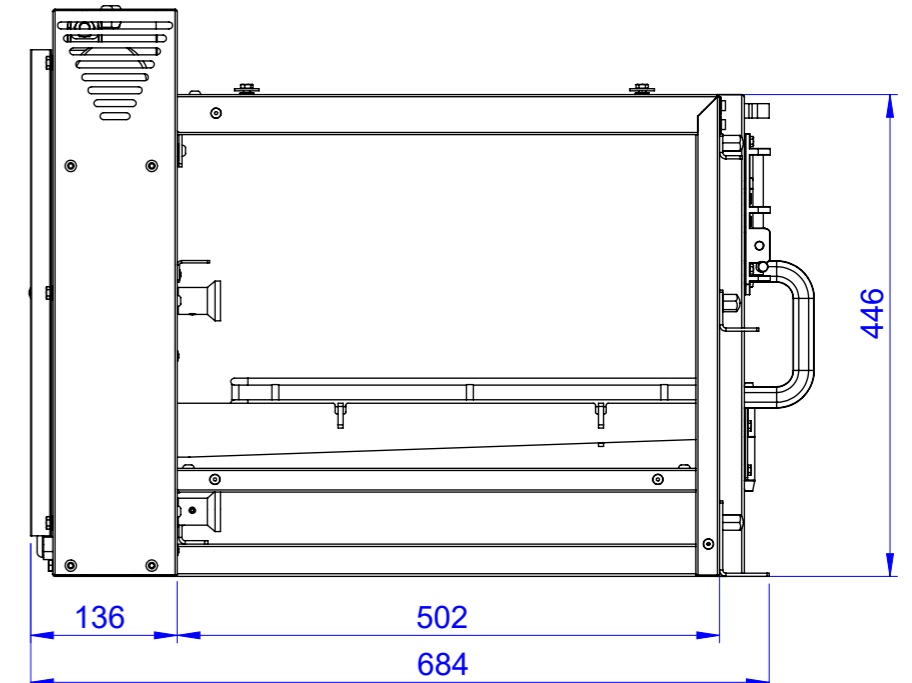
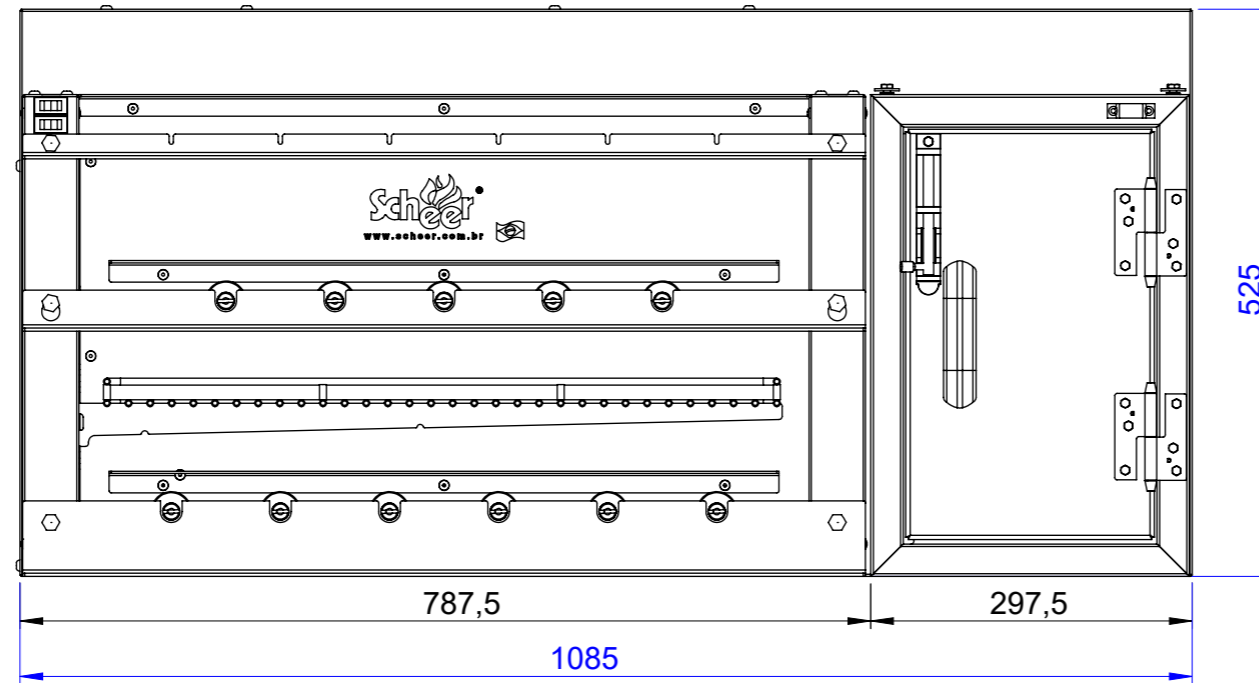


Alterado:

Responsável:

Data:



| Item:   | <table border="1"> <thead> <tr> <th colspan="10">A - Tratamento administrativo para intervalos de dimensões básicas (mm)</th> <th colspan="10">B - Tratamento verticalizado para intervalos de dimensões básicas, em milímetros, de modo lido ao longo</th> </tr> <tr> <th>Classe</th> <th>D+</th> <th>A (mm)</th> <th>A (mm)</th> <th>A (mm)</th> <th>A (mm)</th> <th>A (mm)</th> <th>A (mm)</th> <th>A (mm)</th> <th>A (mm)</th> <th>A (mm)</th> <th>Classe</th> <th>A (mm)</th> <th>A (mm)</th> <th>A (mm)</th> <th>A (mm)</th> <th>A (mm)</th> <th>A (mm)</th> <th>A (mm)</th> <th>A (mm)</th> </tr> </thead> <tbody> <tr> <td>1</td> <td>0,5</td> <td>0,5</td> <td>0,5</td> <td>0,5</td> <td>0,5</td> <td>0,5</td> <td>0,5</td> <td>0,5</td> <td>0,5</td> <td>0,5</td> <td>1</td> <td>0,5</td> <td>0,5</td> <td>0,5</td> <td>0,5</td> <td>0,5</td> <td>0,5</td> <td>0,5</td> <td>0,5</td> </tr> <tr> <td>2</td> <td>1,0</td> <td>1,0</td> <td>1,0</td> <td>1,0</td> <td>1,0</td> <td>1,0</td> <td>1,0</td> <td>1,0</td> <td>1,0</td> <td>1,0</td> <td>2</td> <td>1,0</td> <td>1,0</td> <td>1,0</td> <td>1,0</td> <td>1,0</td> <td>1,0</td> <td>1,0</td> <td>1,0</td> </tr> <tr> <td>3</td> <td>1,5</td> <td>1,5</td> <td>1,5</td> <td>1,5</td> <td>1,5</td> <td>1,5</td> <td>1,5</td> <td>1,5</td> <td>1,5</td> <td>1,5</td> <td>3</td> <td>1,5</td> <td>1,5</td> <td>1,5</td> <td>1,5</td> <td>1,5</td> <td>1,5</td> <td>1,5</td> <td>1,5</td> </tr> <tr> <td>4</td> <td>2,0</td> <td>2,0</td> <td>2,0</td> <td>2,0</td> <td>2,0</td> <td>2,0</td> <td>2,0</td> <td>2,0</td> <td>2,0</td> <td>2,0</td> <td>4</td> <td>2,0</td> <td>2,0</td> <td>2,0</td> <td>2,0</td> <td>2,0</td> <td>2,0</td> <td>2,0</td> <td>2,0</td> </tr> <tr> <td>5</td> <td>2,5</td> <td>2,5</td> <td>2,5</td> <td>2,5</td> <td>2,5</td> <td>2,5</td> <td>2,5</td> <td>2,5</td> <td>2,5</td> <td>2,5</td> <td>5</td> <td>2,5</td> <td>2,5</td> <td>2,5</td> <td>2,5</td> <td>2,5</td> <td>2,5</td> <td>2,5</td> <td>2,5</td> </tr> <tr> <td>6</td> <td>3,0</td> <td>3,0</td> <td>3,0</td> <td>3,0</td> <td>3,0</td> <td>3,0</td> <td>3,0</td> <td>3,0</td> <td>3,0</td> <td>3,0</td> <td>6</td> <td>3,0</td> <td>3,0</td> <td>3,0</td> <td>3,0</td> <td>3,0</td> <td>3,0</td> <td>3,0</td> <td>3,0</td> </tr> <tr> <td>7</td> <td>3,5</td> <td>3,5</td> <td>3,5</td> <td>3,5</td> <td>3,5</td> <td>3,5</td> <td>3,5</td> <td>3,5</td> <td>3,5</td> <td>3,5</td> <td>7</td> <td>3,5</td> <td>3,5</td> <td>3,5</td> <td>3,5</td> <td>3,5</td> <td>3,5</td> <td>3,5</td> <td>3,5</td> </tr> <tr> <td>8</td> <td>4,0</td> <td>4,0</td> <td>4,0</td> <td>4,0</td> <td>4,0</td> <td>4,0</td> <td>4,0</td> <td>4,0</td> <td>4,0</td> <td>4,0</td> <td>8</td> <td>4,0</td> <td>4,0</td> <td>4,0</td> <td>4,0</td> <td>4,0</td> <td>4,0</td> <td>4,0</td> <td>4,0</td> </tr> <tr> <td>9</td> <td>4,5</td> <td>4,5</td> <td>4,5</td> <td>4,5</td> <td>4,5</td> <td>4,5</td> <td>4,5</td> <td>4,5</td> <td>4,5</td> <td>4,5</td> <td>9</td> <td>4,5</td> <td>4,5</td> <td>4,5</td> <td>4,5</td> <td>4,5</td> <td>4,5</td> <td>4,5</td> <td>4,5</td> </tr> <tr> <td>10</td> <td>5,0</td> <td>5,0</td> <td>5,0</td> <td>5,0</td> <td>5,0</td> <td>5,0</td> <td>5,0</td> <td>5,0</td> <td>5,0</td> <td>5,0</td> <td>10</td> <td>5,0</td> <td>5,0</td> <td>5,0</td> <td>5,0</td> <td>5,0</td> <td>5,0</td> <td>5,0</td> <td>5,0</td> </tr> <tr> <td>11</td> <td>5,5</td> <td>5,5</td> <td>5,5</td> <td>5,5</td> <td>5,5</td> <td>5,5</td> <td>5,5</td> <td>5,5</td> <td>5,5</td> <td>5,5</td> <td>11</td> <td>5,5</td> <td>5,5</td> <td>5,5</td> <td>5,5</td> <td>5,5</td> <td>5,5</td> <td>5,5</td> <td>5,5</td> </tr> <tr> <td>12</td> <td>6,0</td> <td>6,0</td> <td>6,0</td> <td>6,0</td> <td>6,0</td> <td>6,0</td> <td>6,0</td> <td>6,0</td> <td>6,0</td> <td>6,0</td> <td>12</td> <td>6,0</td> <td>6,0</td> <td>6,0</td> <td>6,0</td> <td>6,0</td> <td>6,0</td> <td>6,0</td> <td>6,0</td> </tr> <tr> <td>13</td> <td>6,5</td> <td>6,5</td> <td>6,5</td> <td>6,5</td> <td>6,5</td> <td>6,5</td> <td>6,5</td> <td>6,5</td> <td>6,5</td> <td>6,5</td> <td>13</td> <td>6,5</td> <td>6,5</td> <td>6,5</td> <td>6,5</td> <td>6,5</td> <td>6,5</td> <td>6,5</td> <td>6,5</td> </tr> <tr> <td>14</td> <td>7,0</td> <td>7,0</td> <td>7,0</td> <td>7,0</td> <td>7,0</td> <td>7,0</td> <td>7,0</td> <td>7,0</td> <td>7,0</td> <td>7,0</td> <td>14</td> <td>7,0</td> <td>7,0</td> <td>7,0</td> <td>7,0</td> <td>7,0</td> <td>7,0</td> <td>7,0</td> <td>7,0</td> </tr> <tr> <td>15</td> <td>7,5</td> <td>7,5</td> <td>7,5</td> <td>7,5</td> <td>7,5</td> <td>7,5</td> <td>7,5</td> <td>7,5</td> <td>7,5</td> <td>7,5</td> <td>15</td> <td>7,5</td> <td>7,5</td> <td>7,5</td> <td>7,5</td> <td>7,5</td> <td>7,5</td> <td>7,5</td> <td>7,5</td> </tr> <tr> <td>16</td> <td>8,0</td> <td>8,0</td> <td>8,0</td> <td>8,0</td> <td>8,0</td> <td>8,0</td> <td>8,0</td> <td>8,0</td> <td>8,0</td> <td>8,0</td> <td>16</td> <td>8,0</td> <td>8,0</td> <td>8,0</td> <td>8,0</td> <td>8,0</td> <td>8,0</td> <td>8,0</td> <td>8,0</td> </tr> <tr> <td>17</td> <td>8,5</td> <td>8,5</td> <td>8,5</td> <td>8,5</td> <td>8,5</td> <td>8,5</td> <td>8,5</td> <td>8,5</td> <td>8,5</td> <td>8,5</td> <td>17</td> <td>8,5</td> <td>8,5</td> <td>8,5</td> <td>8,5</td> <td>8,5</td> <td>8,5</td> <td>8,5</td> <td>8,5</td> </tr> <tr> <td>18</td> <td>9,0</td> <td>9,0</td> <td>9,0</td> <td>9,0</td> <td>9,0</td> <td>9,0</td> <td>9,0</td> <td>9,0</td> <td>9,0</td> <td>9,0</td> <td>18</td> <td>9,0</td> <td>9,0</td> <td>9,0</td> <td>9,0</td> <td>9,0</td> <td>9,0</td> <td>9,0</td> <td>9,0</td> </tr> <tr> <td>19</td> <td>9,5</td> <td>9,5</td> <td>9,5</td> <td>9,5</td> <td>9,5</td> <td>9,5</td> <td>9,5</td> <td>9,5</td> <td>9,5</td> <td>9,5</td> <td>19</td> <td>9,5</td> <td>9,5</td> <td>9,5</td> <td>9,5</td> <td>9,5</td> <td>9,5</td> <td>9,5</td> <td>9,5</td> </tr> <tr> <td>20</td> <td>10,0</td> <td>10,0</td> <td>10,0</td> <td>10,0</td> <td>10,0</td> <td>10,0</td> <td>10,0</td> <td>10,0</td> <td>10,0</td> <td>10,0</td> <td>20</td> <td>10,0</td> <td>10,0</td> <td>10,0</td> <td>10,0</td> <td>10,0</td> <td>10,0</td> <td>10,0</td> <td>10,0</td> </tr> </tbody> </table> |                  | A - Tratamento administrativo para intervalos de dimensões básicas (mm) |                 |        |        |        |        |        |   |        |        | B - Tratamento verticalizado para intervalos de dimensões básicas, em milímetros, de modo lido ao longo |        |        |        |        |        |        |  |  |  | Classe | D+ | A (mm) | A (mm) | A (mm) | A (mm) | A (mm) | A (mm) | A (mm) | A (mm) | A (mm) | Classe | A (mm) | A (mm) | A (mm) | A (mm) | A (mm) | A (mm) | A (mm) | A (mm) | 1 | 0,5 | 0,5 | 0,5 | 0,5 | 0,5 | 0,5 | 0,5 | 0,5 | 0,5 | 0,5 | 1 | 0,5 | 0,5 | 0,5 | 0,5 | 0,5 | 0,5 | 0,5 | 0,5 | 2 | 1,0 | 1,0 | 1,0 | 1,0 | 1,0 | 1,0 | 1,0 | 1,0 | 1,0 | 1,0 | 2 | 1,0 | 1,0 | 1,0 | 1,0 | 1,0 | 1,0 | 1,0 | 1,0 | 3 | 1,5 | 1,5 | 1,5 | 1,5 | 1,5 | 1,5 | 1,5 | 1,5 | 1,5 | 1,5 | 3 | 1,5 | 1,5 | 1,5 | 1,5 | 1,5 | 1,5 | 1,5 | 1,5 | 4 | 2,0 | 2,0 | 2,0 | 2,0 | 2,0 | 2,0 | 2,0 | 2,0 | 2,0 | 2,0 | 4 | 2,0 | 2,0 | 2,0 | 2,0 | 2,0 | 2,0 | 2,0 | 2,0 | 5 | 2,5 | 2,5 | 2,5 | 2,5 | 2,5 | 2,5 | 2,5 | 2,5 | 2,5 | 2,5 | 5 | 2,5 | 2,5 | 2,5 | 2,5 | 2,5 | 2,5 | 2,5 | 2,5 | 6 | 3,0 | 3,0 | 3,0 | 3,0 | 3,0 | 3,0 | 3,0 | 3,0 | 3,0 | 3,0 | 6 | 3,0 | 3,0 | 3,0 | 3,0 | 3,0 | 3,0 | 3,0 | 3,0 | 7 | 3,5 | 3,5 | 3,5 | 3,5 | 3,5 | 3,5 | 3,5 | 3,5 | 3,5 | 3,5 | 7 | 3,5 | 3,5 | 3,5 | 3,5 | 3,5 | 3,5 | 3,5 | 3,5 | 8 | 4,0 | 4,0 | 4,0 | 4,0 | 4,0 | 4,0 | 4,0 | 4,0 | 4,0 | 4,0 | 8 | 4,0 | 4,0 | 4,0 | 4,0 | 4,0 | 4,0 | 4,0 | 4,0 | 9 | 4,5 | 4,5 | 4,5 | 4,5 | 4,5 | 4,5 | 4,5 | 4,5 | 4,5 | 4,5 | 9 | 4,5 | 4,5 | 4,5 | 4,5 | 4,5 | 4,5 | 4,5 | 4,5 | 10 | 5,0 | 5,0 | 5,0 | 5,0 | 5,0 | 5,0 | 5,0 | 5,0 | 5,0 | 5,0 | 10 | 5,0 | 5,0 | 5,0 | 5,0 | 5,0 | 5,0 | 5,0 | 5,0 | 11 | 5,5 | 5,5 | 5,5 | 5,5 | 5,5 | 5,5 | 5,5 | 5,5 | 5,5 | 5,5 | 11 | 5,5 | 5,5 | 5,5 | 5,5 | 5,5 | 5,5 | 5,5 | 5,5 | 12 | 6,0 | 6,0 | 6,0 | 6,0 | 6,0 | 6,0 | 6,0 | 6,0 | 6,0 | 6,0 | 12 | 6,0 | 6,0 | 6,0 | 6,0 | 6,0 | 6,0 | 6,0 | 6,0 | 13 | 6,5 | 6,5 | 6,5 | 6,5 | 6,5 | 6,5 | 6,5 | 6,5 | 6,5 | 6,5 | 13 | 6,5 | 6,5 | 6,5 | 6,5 | 6,5 | 6,5 | 6,5 | 6,5 | 14 | 7,0 | 7,0 | 7,0 | 7,0 | 7,0 | 7,0 | 7,0 | 7,0 | 7,0 | 7,0 | 14 | 7,0 | 7,0 | 7,0 | 7,0 | 7,0 | 7,0 | 7,0 | 7,0 | 15 | 7,5 | 7,5 | 7,5 | 7,5 | 7,5 | 7,5 | 7,5 | 7,5 | 7,5 | 7,5 | 15 | 7,5 | 7,5 | 7,5 | 7,5 | 7,5 | 7,5 | 7,5 | 7,5 | 16 | 8,0 | 8,0 | 8,0 | 8,0 | 8,0 | 8,0 | 8,0 | 8,0 | 8,0 | 8,0 | 16 | 8,0 | 8,0 | 8,0 | 8,0 | 8,0 | 8,0 | 8,0 | 8,0 | 17 | 8,5 | 8,5 | 8,5 | 8,5 | 8,5 | 8,5 | 8,5 | 8,5 | 8,5 | 8,5 | 17 | 8,5 | 8,5 | 8,5 | 8,5 | 8,5 | 8,5 | 8,5 | 8,5 | 18 | 9,0 | 9,0 | 9,0 | 9,0 | 9,0 | 9,0 | 9,0 | 9,0 | 9,0 | 9,0 | 18 | 9,0 | 9,0 | 9,0 | 9,0 | 9,0 | 9,0 | 9,0 | 9,0 | 19 | 9,5 | 9,5 | 9,5 | 9,5 | 9,5 | 9,5 | 9,5 | 9,5 | 9,5 | 9,5 | 19 | 9,5 | 9,5 | 9,5 | 9,5 | 9,5 | 9,5 | 9,5 | 9,5 | 20 | 10,0 | 10,0 | 10,0 | 10,0 | 10,0 | 10,0 | 10,0 | 10,0 | 10,0 | 10,0 | 20 | 10,0 | 10,0 | 10,0 | 10,0 | 10,0 | 10,0 | 10,0 | 10,0 | Código: 000875.000 |
|---|---|------------------|---|-----------------|--------|--------|--------|--------|--------|---|--------|--------|---|--------|--------|--------|--------|--------|--------|--|--|--|--------|----|--------|--------|--------|--------|--------|--------|--------|--------|--------|--------|--------|--------|--------|--------|--------|--------|--------|--------|---|-----|-----|-----|-----|-----|-----|-----|-----|-----|-----|---|-----|-----|-----|-----|-----|-----|-----|-----|---|-----|-----|-----|-----|-----|-----|-----|-----|-----|-----|---|-----|-----|-----|-----|-----|-----|-----|-----|---|-----|-----|-----|-----|-----|-----|-----|-----|-----|-----|---|-----|-----|-----|-----|-----|-----|-----|-----|---|-----|-----|-----|-----|-----|-----|-----|-----|-----|-----|---|-----|-----|-----|-----|-----|-----|-----|-----|---|-----|-----|-----|-----|-----|-----|-----|-----|-----|-----|---|-----|-----|-----|-----|-----|-----|-----|-----|---|-----|-----|-----|-----|-----|-----|-----|-----|-----|-----|---|-----|-----|-----|-----|-----|-----|-----|-----|---|-----|-----|-----|-----|-----|-----|-----|-----|-----|-----|---|-----|-----|-----|-----|-----|-----|-----|-----|---|-----|-----|-----|-----|-----|-----|-----|-----|-----|-----|---|-----|-----|-----|-----|-----|-----|-----|-----|---|-----|-----|-----|-----|-----|-----|-----|-----|-----|-----|---|-----|-----|-----|-----|-----|-----|-----|-----|----|-----|-----|-----|-----|-----|-----|-----|-----|-----|-----|----|-----|-----|-----|-----|-----|-----|-----|-----|----|-----|-----|-----|-----|-----|-----|-----|-----|-----|-----|----|-----|-----|-----|-----|-----|-----|-----|-----|----|-----|-----|-----|-----|-----|-----|-----|-----|-----|-----|----|-----|-----|-----|-----|-----|-----|-----|-----|----|-----|-----|-----|-----|-----|-----|-----|-----|-----|-----|----|-----|-----|-----|-----|-----|-----|-----|-----|----|-----|-----|-----|-----|-----|-----|-----|-----|-----|-----|----|-----|-----|-----|-----|-----|-----|-----|-----|----|-----|-----|-----|-----|-----|-----|-----|-----|-----|-----|----|-----|-----|-----|-----|-----|-----|-----|-----|----|-----|-----|-----|-----|-----|-----|-----|-----|-----|-----|----|-----|-----|-----|-----|-----|-----|-----|-----|----|-----|-----|-----|-----|-----|-----|-----|-----|-----|-----|----|-----|-----|-----|-----|-----|-----|-----|-----|----|-----|-----|-----|-----|-----|-----|-----|-----|-----|-----|----|-----|-----|-----|-----|-----|-----|-----|-----|----|-----|-----|-----|-----|-----|-----|-----|-----|-----|-----|----|-----|-----|-----|-----|-----|-----|-----|-----|----|------|------|------|------|------|------|------|------|------|------|----|------|------|------|------|------|------|------|------|--------------------|
| A - Tratamento administrativo para intervalos de dimensões básicas (mm) |   |                  |   |                 |        |        |        |        |        | B - Tratamento verticalizado para intervalos de dimensões básicas, em milímetros, de modo lido ao longo |        |        |   |        |        |        |        |        |        |  |  |  |        |    |        |        |        |        |        |        |        |        |        |        |        |        |        |        |        |        |        |        |   |     |     |     |     |     |     |     |     |     |     |   |     |     |     |     |     |     |     |     |   |     |     |     |     |     |     |     |     |     |     |   |     |     |     |     |     |     |     |     |   |     |     |     |     |     |     |     |     |     |     |   |     |     |     |     |     |     |     |     |   |     |     |     |     |     |     |     |     |     |     |   |     |     |     |     |     |     |     |     |   |     |     |     |     |     |     |     |     |     |     |   |     |     |     |     |     |     |     |     |   |     |     |     |     |     |     |     |     |     |     |   |     |     |     |     |     |     |     |     |   |     |     |     |     |     |     |     |     |     |     |   |     |     |     |     |     |     |     |     |   |     |     |     |     |     |     |     |     |     |     |   |     |     |     |     |     |     |     |     |   |     |     |     |     |     |     |     |     |     |     |   |     |     |     |     |     |     |     |     |    |     |     |     |     |     |     |     |     |     |     |    |     |     |     |     |     |     |     |     |    |     |     |     |     |     |     |     |     |     |     |    |     |     |     |     |     |     |     |     |    |     |     |     |     |     |     |     |     |     |     |    |     |     |     |     |     |     |     |     |    |     |     |     |     |     |     |     |     |     |     |    |     |     |     |     |     |     |     |     |    |     |     |     |     |     |     |     |     |     |     |    |     |     |     |     |     |     |     |     |    |     |     |     |     |     |     |     |     |     |     |    |     |     |     |     |     |     |     |     |    |     |     |     |     |     |     |     |     |     |     |    |     |     |     |     |     |     |     |     |    |     |     |     |     |     |     |     |     |     |     |    |     |     |     |     |     |     |     |     |    |     |     |     |     |     |     |     |     |     |     |    |     |     |     |     |     |     |     |     |    |     |     |     |     |     |     |     |     |     |     |    |     |     |     |     |     |     |     |     |    |      |      |      |      |      |      |      |      |      |      |    |      |      |      |      |      |      |      |      |                    |
| Classe  | D+  | A (mm)           | A (mm)  | A (mm)          | A (mm) | A (mm) | A (mm) | A (mm) | A (mm) | A (mm)  | Classe | A (mm) | A (mm)  | A (mm) | A (mm) | A (mm) | A (mm) | A (mm) | A (mm) |  |  |  |        |    |        |        |        |        |        |        |        |        |        |        |        |        |        |        |        |        |        |        |   |     |     |     |     |     |     |     |     |     |     |   |     |     |     |     |     |     |     |     |   |     |     |     |     |     |     |     |     |     |     |   |     |     |     |     |     |     |     |     |   |     |     |     |     |     |     |     |     |     |     |   |     |     |     |     |     |     |     |     |   |     |     |     |     |     |     |     |     |     |     |   |     |     |     |     |     |     |     |     |   |     |     |     |     |     |     |     |     |     |     |   |     |     |     |     |     |     |     |     |   |     |     |     |     |     |     |     |     |     |     |   |     |     |     |     |     |     |     |     |   |     |     |     |     |     |     |     |     |     |     |   |     |     |     |     |     |     |     |     |   |     |     |     |     |     |     |     |     |     |     |   |     |     |     |     |     |     |     |     |   |     |     |     |     |     |     |     |     |     |     |   |     |     |     |     |     |     |     |     |    |     |     |     |     |     |     |     |     |     |     |    |     |     |     |     |     |     |     |     |    |     |     |     |     |     |     |     |     |     |     |    |     |     |     |     |     |     |     |     |    |     |     |     |     |     |     |     |     |     |     |    |     |     |     |     |     |     |     |     |    |     |     |     |     |     |     |     |     |     |     |    |     |     |     |     |     |     |     |     |    |     |     |     |     |     |     |     |     |     |     |    |     |     |     |     |     |     |     |     |    |     |     |     |     |     |     |     |     |     |     |    |     |     |     |     |     |     |     |     |    |     |     |     |     |     |     |     |     |     |     |    |     |     |     |     |     |     |     |     |    |     |     |     |     |     |     |     |     |     |     |    |     |     |     |     |     |     |     |     |    |     |     |     |     |     |     |     |     |     |     |    |     |     |     |     |     |     |     |     |    |     |     |     |     |     |     |     |     |     |     |    |     |     |     |     |     |     |     |     |    |      |      |      |      |      |      |      |      |      |      |    |      |      |      |      |      |      |      |      |                    |
| 1   | 0,5   | 0,5              | 0,5   | 0,5             | 0,5    | 0,5    | 0,5    | 0,5    | 0,5    | 0,5   | 1      | 0,5    | 0,5   | 0,5    | 0,5    | 0,5    | 0,5    | 0,5    | 0,5    |  |  |  |        |    |        |        |        |        |        |        |        |        |        |        |        |        |        |        |        |        |        |        |   |     |     |     |     |     |     |     |     |     |     |   |     |     |     |     |     |     |     |     |   |     |     |     |     |     |     |     |     |     |     |   |     |     |     |     |     |     |     |     |   |     |     |     |     |     |     |     |     |     |     |   |     |     |     |     |     |     |     |     |   |     |     |     |     |     |     |     |     |     |     |   |     |     |     |     |     |     |     |     |   |     |     |     |     |     |     |     |     |     |     |   |     |     |     |     |     |     |     |     |   |     |     |     |     |     |     |     |     |     |     |   |     |     |     |     |     |     |     |     |   |     |     |     |     |     |     |     |     |     |     |   |     |     |     |     |     |     |     |     |   |     |     |     |     |     |     |     |     |     |     |   |     |     |     |     |     |     |     |     |   |     |     |     |     |     |     |     |     |     |     |   |     |     |     |     |     |     |     |     |    |     |     |     |     |     |     |     |     |     |     |    |     |     |     |     |     |     |     |     |    |     |     |     |     |     |     |     |     |     |     |    |     |     |     |     |     |     |     |     |    |     |     |     |     |     |     |     |     |     |     |    |     |     |     |     |     |     |     |     |    |     |     |     |     |     |     |     |     |     |     |    |     |     |     |     |     |     |     |     |    |     |     |     |     |     |     |     |     |     |     |    |     |     |     |     |     |     |     |     |    |     |     |     |     |     |     |     |     |     |     |    |     |     |     |     |     |     |     |     |    |     |     |     |     |     |     |     |     |     |     |    |     |     |     |     |     |     |     |     |    |     |     |     |     |     |     |     |     |     |     |    |     |     |     |     |     |     |     |     |    |     |     |     |     |     |     |     |     |     |     |    |     |     |     |     |     |     |     |     |    |     |     |     |     |     |     |     |     |     |     |    |     |     |     |     |     |     |     |     |    |      |      |      |      |      |      |      |      |      |      |    |      |      |      |      |      |      |      |      |                    |
| 2   | 1,0   | 1,0              | 1,0   | 1,0             | 1,0    | 1,0    | 1,0    | 1,0    | 1,0    | 1,0   | 2      | 1,0    | 1,0   | 1,0    | 1,0    | 1,0    | 1,0    | 1,0    | 1,0    |  |  |  |        |    |        |        |        |        |        |        |        |        |        |        |        |        |        |        |        |        |        |        |   |     |     |     |     |     |     |     |     |     |     |   |     |     |     |     |     |     |     |     |   |     |     |     |     |     |     |     |     |     |     |   |     |     |     |     |     |     |     |     |   |     |     |     |     |     |     |     |     |     |     |   |     |     |     |     |     |     |     |     |   |     |     |     |     |     |     |     |     |     |     |   |     |     |     |     |     |     |     |     |   |     |     |     |     |     |     |     |     |     |     |   |     |     |     |     |     |     |     |     |   |     |     |     |     |     |     |     |     |     |     |   |     |     |     |     |     |     |     |     |   |     |     |     |     |     |     |     |     |     |     |   |     |     |     |     |     |     |     |     |   |     |     |     |     |     |     |     |     |     |     |   |     |     |     |     |     |     |     |     |   |     |     |     |     |     |     |     |     |     |     |   |     |     |     |     |     |     |     |     |    |     |     |     |     |     |     |     |     |     |     |    |     |     |     |     |     |     |     |     |    |     |     |     |     |     |     |     |     |     |     |    |     |     |     |     |     |     |     |     |    |     |     |     |     |     |     |     |     |     |     |    |     |     |     |     |     |     |     |     |    |     |     |     |     |     |     |     |     |     |     |    |     |     |     |     |     |     |     |     |    |     |     |     |     |     |     |     |     |     |     |    |     |     |     |     |     |     |     |     |    |     |     |     |     |     |     |     |     |     |     |    |     |     |     |     |     |     |     |     |    |     |     |     |     |     |     |     |     |     |     |    |     |     |     |     |     |     |     |     |    |     |     |     |     |     |     |     |     |     |     |    |     |     |     |     |     |     |     |     |    |     |     |     |     |     |     |     |     |     |     |    |     |     |     |     |     |     |     |     |    |     |     |     |     |     |     |     |     |     |     |    |     |     |     |     |     |     |     |     |    |      |      |      |      |      |      |      |      |      |      |    |      |      |      |      |      |      |      |      |                    |
| 3   | 1,5   | 1,5              | 1,5   | 1,5             | 1,5    | 1,5    | 1,5    | 1,5    | 1,5    | 1,5   | 3      | 1,5    | 1,5   | 1,5    | 1,5    | 1,5    | 1,5    | 1,5    | 1,5    |  |  |  |        |    |        |        |        |        |        |        |        |        |        |        |        |        |        |        |        |        |        |        |   |     |     |     |     |     |     |     |     |     |     |   |     |     |     |     |     |     |     |     |   |     |     |     |     |     |     |     |     |     |     |   |     |     |     |     |     |     |     |     |   |     |     |     |     |     |     |     |     |     |     |   |     |     |     |     |     |     |     |     |   |     |     |     |     |     |     |     |     |     |     |   |     |     |     |     |     |     |     |     |   |     |     |     |     |     |     |     |     |     |     |   |     |     |     |     |     |     |     |     |   |     |     |     |     |     |     |     |     |     |     |   |     |     |     |     |     |     |     |     |   |     |     |     |     |     |     |     |     |     |     |   |     |     |     |     |     |     |     |     |   |     |     |     |     |     |     |     |     |     |     |   |     |     |     |     |     |     |     |     |   |     |     |     |     |     |     |     |     |     |     |   |     |     |     |     |     |     |     |     |    |     |     |     |     |     |     |     |     |     |     |    |     |     |     |     |     |     |     |     |    |     |     |     |     |     |     |     |     |     |     |    |     |     |     |     |     |     |     |     |    |     |     |     |     |     |     |     |     |     |     |    |     |     |     |     |     |     |     |     |    |     |     |     |     |     |     |     |     |     |     |    |     |     |     |     |     |     |     |     |    |     |     |     |     |     |     |     |     |     |     |    |     |     |     |     |     |     |     |     |    |     |     |     |     |     |     |     |     |     |     |    |     |     |     |     |     |     |     |     |    |     |     |     |     |     |     |     |     |     |     |    |     |     |     |     |     |     |     |     |    |     |     |     |     |     |     |     |     |     |     |    |     |     |     |     |     |     |     |     |    |     |     |     |     |     |     |     |     |     |     |    |     |     |     |     |     |     |     |     |    |     |     |     |     |     |     |     |     |     |     |    |     |     |     |     |     |     |     |     |    |      |      |      |      |      |      |      |      |      |      |    |      |      |      |      |      |      |      |      |                    |
| 4   | 2,0   | 2,0              | 2,0   | 2,0             | 2,0    | 2,0    | 2,0    | 2,0    | 2,0    | 2,0   | 4      | 2,0    | 2,0   | 2,0    | 2,0    | 2,0    | 2,0    | 2,0    | 2,0    |  |  |  |        |    |        |        |        |        |        |        |        |        |        |        |        |        |        |        |        |        |        |        |   |     |     |     |     |     |     |     |     |     |     |   |     |     |     |     |     |     |     |     |   |     |     |     |     |     |     |     |     |     |     |   |     |     |     |     |     |     |     |     |   |     |     |     |     |     |     |     |     |     |     |   |     |     |     |     |     |     |     |     |   |     |     |     |     |     |     |     |     |     |     |   |     |     |     |     |     |     |     |     |   |     |     |     |     |     |     |     |     |     |     |   |     |     |     |     |     |     |     |     |   |     |     |     |     |     |     |     |     |     |     |   |     |     |     |     |     |     |     |     |   |     |     |     |     |     |     |     |     |     |     |   |     |     |     |     |     |     |     |     |   |     |     |     |     |     |     |     |     |     |     |   |     |     |     |     |     |     |     |     |   |     |     |     |     |     |     |     |     |     |     |   |     |     |     |     |     |     |     |     |    |     |     |     |     |     |     |     |     |     |     |    |     |     |     |     |     |     |     |     |    |     |     |     |     |     |     |     |     |     |     |    |     |     |     |     |     |     |     |     |    |     |     |     |     |     |     |     |     |     |     |    |     |     |     |     |     |     |     |     |    |     |     |     |     |     |     |     |     |     |     |    |     |     |     |     |     |     |     |     |    |     |     |     |     |     |     |     |     |     |     |    |     |     |     |     |     |     |     |     |    |     |     |     |     |     |     |     |     |     |     |    |     |     |     |     |     |     |     |     |    |     |     |     |     |     |     |     |     |     |     |    |     |     |     |     |     |     |     |     |    |     |     |     |     |     |     |     |     |     |     |    |     |     |     |     |     |     |     |     |    |     |     |     |     |     |     |     |     |     |     |    |     |     |     |     |     |     |     |     |    |     |     |     |     |     |     |     |     |     |     |    |     |     |     |     |     |     |     |     |    |      |      |      |      |      |      |      |      |      |      |    |      |      |      |      |      |      |      |      |                    |
| 5   | 2,5   | 2,5              | 2,5   | 2,5             | 2,5    | 2,5    | 2,5    | 2,5    | 2,5    | 2,5   | 5      | 2,5    | 2,5   | 2,5    | 2,5    | 2,5    | 2,5    | 2,5    | 2,5    |  |  |  |        |    |        |        |        |        |        |        |        |        |        |        |        |        |        |        |        |        |        |        |   |     |     |     |     |     |     |     |     |     |     |   |     |     |     |     |     |     |     |     |   |     |     |     |     |     |     |     |     |     |     |   |     |     |     |     |     |     |     |     |   |     |     |     |     |     |     |     |     |     |     |   |     |     |     |     |     |     |     |     |   |     |     |     |     |     |     |     |     |     |     |   |     |     |     |     |     |     |     |     |   |     |     |     |     |     |     |     |     |     |     |   |     |     |     |     |     |     |     |     |   |     |     |     |     |     |     |     |     |     |     |   |     |     |     |     |     |     |     |     |   |     |     |     |     |     |     |     |     |     |     |   |     |     |     |     |     |     |     |     |   |     |     |     |     |     |     |     |     |     |     |   |     |     |     |     |     |     |     |     |   |     |     |     |     |     |     |     |     |     |     |   |     |     |     |     |     |     |     |     |    |     |     |     |     |     |     |     |     |     |     |    |     |     |     |     |     |     |     |     |    |     |     |     |     |     |     |     |     |     |     |    |     |     |     |     |     |     |     |     |    |     |     |     |     |     |     |     |     |     |     |    |     |     |     |     |     |     |     |     |    |     |     |     |     |     |     |     |     |     |     |    |     |     |     |     |     |     |     |     |    |     |     |     |     |     |     |     |     |     |     |    |     |     |     |     |     |     |     |     |    |     |     |     |     |     |     |     |     |     |     |    |     |     |     |     |     |     |     |     |    |     |     |     |     |     |     |     |     |     |     |    |     |     |     |     |     |     |     |     |    |     |     |     |     |     |     |     |     |     |     |    |     |     |     |     |     |     |     |     |    |     |     |     |     |     |     |     |     |     |     |    |     |     |     |     |     |     |     |     |    |     |     |     |     |     |     |     |     |     |     |    |     |     |     |     |     |     |     |     |    |      |      |      |      |      |      |      |      |      |      |    |      |      |      |      |      |      |      |      |                    |
| 6   | 3,0   | 3,0              | 3,0   | 3,0             | 3,0    | 3,0    | 3,0    | 3,0    | 3,0    | 3,0   | 6      | 3,0    | 3,0   | 3,0    | 3,0    | 3,0    | 3,0    | 3,0    | 3,0    |  |  |  |        |    |        |        |        |        |        |        |        |        |        |        |        |        |        |        |        |        |        |        |   |     |     |     |     |     |     |     |     |     |     |   |     |     |     |     |     |     |     |     |   |     |     |     |     |     |     |     |     |     |     |   |     |     |     |     |     |     |     |     |   |     |     |     |     |     |     |     |     |     |     |   |     |     |     |     |     |     |     |     |   |     |     |     |     |     |     |     |     |     |     |   |     |     |     |     |     |     |     |     |   |     |     |     |     |     |     |     |     |     |     |   |     |     |     |     |     |     |     |     |   |     |     |     |     |     |     |     |     |     |     |   |     |     |     |     |     |     |     |     |   |     |     |     |     |     |     |     |     |     |     |   |     |     |     |     |     |     |     |     |   |     |     |     |     |     |     |     |     |     |     |   |     |     |     |     |     |     |     |     |   |     |     |     |     |     |     |     |     |     |     |   |     |     |     |     |     |     |     |     |    |     |     |     |     |     |     |     |     |     |     |    |     |     |     |     |     |     |     |     |    |     |     |     |     |     |     |     |     |     |     |    |     |     |     |     |     |     |     |     |    |     |     |     |     |     |     |     |     |     |     |    |     |     |     |     |     |     |     |     |    |     |     |     |     |     |     |     |     |     |     |    |     |     |     |     |     |     |     |     |    |     |     |     |     |     |     |     |     |     |     |    |     |     |     |     |     |     |     |     |    |     |     |     |     |     |     |     |     |     |     |    |     |     |     |     |     |     |     |     |    |     |     |     |     |     |     |     |     |     |     |    |     |     |     |     |     |     |     |     |    |     |     |     |     |     |     |     |     |     |     |    |     |     |     |     |     |     |     |     |    |     |     |     |     |     |     |     |     |     |     |    |     |     |     |     |     |     |     |     |    |     |     |     |     |     |     |     |     |     |     |    |     |     |     |     |     |     |     |     |    |      |      |      |      |      |      |      |      |      |      |    |      |      |      |      |      |      |      |      |                    |
| 7   | 3,5   | 3,5              | 3,5   | 3,5             | 3,5    | 3,5    | 3,5    | 3,5    | 3,5    | 3,5   | 7      | 3,5    | 3,5   | 3,5    | 3,5    | 3,5    | 3,5    | 3,5    | 3,5    |  |  |  |        |    |        |        |        |        |        |        |        |        |        |        |        |        |        |        |        |        |        |        |   |     |     |     |     |     |     |     |     |     |     |   |     |     |     |     |     |     |     |     |   |     |     |     |     |     |     |     |     |     |     |   |     |     |     |     |     |     |     |     |   |     |     |     |     |     |     |     |     |     |     |   |     |     |     |     |     |     |     |     |   |     |     |     |     |     |     |     |     |     |     |   |     |     |     |     |     |     |     |     |   |     |     |     |     |     |     |     |     |     |     |   |     |     |     |     |     |     |     |     |   |     |     |     |     |     |     |     |     |     |     |   |     |     |     |     |     |     |     |     |   |     |     |     |     |     |     |     |     |     |     |   |     |     |     |     |     |     |     |     |   |     |     |     |     |     |     |     |     |     |     |   |     |     |     |     |     |     |     |     |   |     |     |     |     |     |     |     |     |     |     |   |     |     |     |     |     |     |     |     |    |     |     |     |     |     |     |     |     |     |     |    |     |     |     |     |     |     |     |     |    |     |     |     |     |     |     |     |     |     |     |    |     |     |     |     |     |     |     |     |    |     |     |     |     |     |     |     |     |     |     |    |     |     |     |     |     |     |     |     |    |     |     |     |     |     |     |     |     |     |     |    |     |     |     |     |     |     |     |     |    |     |     |     |     |     |     |     |     |     |     |    |     |     |     |     |     |     |     |     |    |     |     |     |     |     |     |     |     |     |     |    |     |     |     |     |     |     |     |     |    |     |     |     |     |     |     |     |     |     |     |    |     |     |     |     |     |     |     |     |    |     |     |     |     |     |     |     |     |     |     |    |     |     |     |     |     |     |     |     |    |     |     |     |     |     |     |     |     |     |     |    |     |     |     |     |     |     |     |     |    |     |     |     |     |     |     |     |     |     |     |    |     |     |     |     |     |     |     |     |    |      |      |      |      |      |      |      |      |      |      |    |      |      |      |      |      |      |      |      |                    |
| 8   | 4,0   | 4,0              | 4,0   | 4,0             | 4,0    | 4,0    | 4,0    | 4,0    | 4,0    | 4,0   | 8      | 4,0    | 4,0   | 4,0    | 4,0    | 4,0    | 4,0    | 4,0    | 4,0    |  |  |  |        |    |        |        |        |        |        |        |        |        |        |        |        |        |        |        |        |        |        |        |   |     |     |     |     |     |     |     |     |     |     |   |     |     |     |     |     |     |     |     |   |     |     |     |     |     |     |     |     |     |     |   |     |     |     |     |     |     |     |     |   |     |     |     |     |     |     |     |     |     |     |   |     |     |     |     |     |     |     |     |   |     |     |     |     |     |     |     |     |     |     |   |     |     |     |     |     |     |     |     |   |     |     |     |     |     |     |     |     |     |     |   |     |     |     |     |     |     |     |     |   |     |     |     |     |     |     |     |     |     |     |   |     |     |     |     |     |     |     |     |   |     |     |     |     |     |     |     |     |     |     |   |     |     |     |     |     |     |     |     |   |     |     |     |     |     |     |     |     |     |     |   |     |     |     |     |     |     |     |     |   |     |     |     |     |     |     |     |     |     |     |   |     |     |     |     |     |     |     |     |    |     |     |     |     |     |     |     |     |     |     |    |     |     |     |     |     |     |     |     |    |     |     |     |     |     |     |     |     |     |     |    |     |     |     |     |     |     |     |     |    |     |     |     |     |     |     |     |     |     |     |    |     |     |     |     |     |     |     |     |    |     |     |     |     |     |     |     |     |     |     |    |     |     |     |     |     |     |     |     |    |     |     |     |     |     |     |     |     |     |     |    |     |     |     |     |     |     |     |     |    |     |     |     |     |     |     |     |     |     |     |    |     |     |     |     |     |     |     |     |    |     |     |     |     |     |     |     |     |     |     |    |     |     |     |     |     |     |     |     |    |     |     |     |     |     |     |     |     |     |     |    |     |     |     |     |     |     |     |     |    |     |     |     |     |     |     |     |     |     |     |    |     |     |     |     |     |     |     |     |    |     |     |     |     |     |     |     |     |     |     |    |     |     |     |     |     |     |     |     |    |      |      |      |      |      |      |      |      |      |      |    |      |      |      |      |      |      |      |      |                    |
| 9   | 4,5   | 4,5              | 4,5   | 4,5             | 4,5    | 4,5    | 4,5    | 4,5    | 4,5    | 4,5   | 9      | 4,5    | 4,5   | 4,5    | 4,5    | 4,5    | 4,5    | 4,5    | 4,5    |  |  |  |        |    |        |        |        |        |        |        |        |        |        |        |        |        |        |        |        |        |        |        |   |     |     |     |     |     |     |     |     |     |     |   |     |     |     |     |     |     |     |     |   |     |     |     |     |     |     |     |     |     |     |   |     |     |     |     |     |     |     |     |   |     |     |     |     |     |     |     |     |     |     |   |     |     |     |     |     |     |     |     |   |     |     |     |     |     |     |     |     |     |     |   |     |     |     |     |     |     |     |     |   |     |     |     |     |     |     |     |     |     |     |   |     |     |     |     |     |     |     |     |   |     |     |     |     |     |     |     |     |     |     |   |     |     |     |     |     |     |     |     |   |     |     |     |     |     |     |     |     |     |     |   |     |     |     |     |     |     |     |     |   |     |     |     |     |     |     |     |     |     |     |   |     |     |     |     |     |     |     |     |   |     |     |     |     |     |     |     |     |     |     |   |     |     |     |     |     |     |     |     |    |     |     |     |     |     |     |     |     |     |     |    |     |     |     |     |     |     |     |     |    |     |     |     |     |     |     |     |     |     |     |    |     |     |     |     |     |     |     |     |    |     |     |     |     |     |     |     |     |     |     |    |     |     |     |     |     |     |     |     |    |     |     |     |     |     |     |     |     |     |     |    |     |     |     |     |     |     |     |     |    |     |     |     |     |     |     |     |     |     |     |    |     |     |     |     |     |     |     |     |    |     |     |     |     |     |     |     |     |     |     |    |     |     |     |     |     |     |     |     |    |     |     |     |     |     |     |     |     |     |     |    |     |     |     |     |     |     |     |     |    |     |     |     |     |     |     |     |     |     |     |    |     |     |     |     |     |     |     |     |    |     |     |     |     |     |     |     |     |     |     |    |     |     |     |     |     |     |     |     |    |     |     |     |     |     |     |     |     |     |     |    |     |     |     |     |     |     |     |     |    |      |      |      |      |      |      |      |      |      |      |    |      |      |      |      |      |      |      |      |                    |
| 10  | 5,0   | 5,0              | 5,0   | 5,0             | 5,0    | 5,0    | 5,0    | 5,0    | 5,0    | 5,0   | 10     | 5,0    | 5,0   | 5,0    | 5,0    | 5,0    | 5,0    | 5,0    | 5,0    |  |  |  |        |    |        |        |        |        |        |        |        |        |        |        |        |        |        |        |        |        |        |        |   |     |     |     |     |     |     |     |     |     |     |   |     |     |     |     |     |     |     |     |   |     |     |     |     |     |     |     |     |     |     |   |     |     |     |     |     |     |     |     |   |     |     |     |     |     |     |     |     |     |     |   |     |     |     |     |     |     |     |     |   |     |     |     |     |     |     |     |     |     |     |   |     |     |     |     |     |     |     |     |   |     |     |     |     |     |     |     |     |     |     |   |     |     |     |     |     |     |     |     |   |     |     |     |     |     |     |     |     |     |     |   |     |     |     |     |     |     |     |     |   |     |     |     |     |     |     |     |     |     |     |   |     |     |     |     |     |     |     |     |   |     |     |     |     |     |     |     |     |     |     |   |     |     |     |     |     |     |     |     |   |     |     |     |     |     |     |     |     |     |     |   |     |     |     |     |     |     |     |     |    |     |     |     |     |     |     |     |     |     |     |    |     |     |     |     |     |     |     |     |    |     |     |     |     |     |     |     |     |     |     |    |     |     |     |     |     |     |     |     |    |     |     |     |     |     |     |     |     |     |     |    |     |     |     |     |     |     |     |     |    |     |     |     |     |     |     |     |     |     |     |    |     |     |     |     |     |     |     |     |    |     |     |     |     |     |     |     |     |     |     |    |     |     |     |     |     |     |     |     |    |     |     |     |     |     |     |     |     |     |     |    |     |     |     |     |     |     |     |     |    |     |     |     |     |     |     |     |     |     |     |    |     |     |     |     |     |     |     |     |    |     |     |     |     |     |     |     |     |     |     |    |     |     |     |     |     |     |     |     |    |     |     |     |     |     |     |     |     |     |     |    |     |     |     |     |     |     |     |     |    |     |     |     |     |     |     |     |     |     |     |    |     |     |     |     |     |     |     |     |    |      |      |      |      |      |      |      |      |      |      |    |      |      |      |      |      |      |      |      |                    |
| 11  | 5,5   | 5,5              | 5,5   | 5,5             | 5,5    | 5,5    | 5,5    | 5,5    | 5,5    | 5,5   | 11     | 5,5    | 5,5   | 5,5    | 5,5    | 5,5    | 5,5    | 5,5    | 5,5    |  |  |  |        |    |        |        |        |        |        |        |        |        |        |        |        |        |        |        |        |        |        |        |   |     |     |     |     |     |     |     |     |     |     |   |     |     |     |     |     |     |     |     |   |     |     |     |     |     |     |     |     |     |     |   |     |     |     |     |     |     |     |     |   |     |     |     |     |     |     |     |     |     |     |   |     |     |     |     |     |     |     |     |   |     |     |     |     |     |     |     |     |     |     |   |     |     |     |     |     |     |     |     |   |     |     |     |     |     |     |     |     |     |     |   |     |     |     |     |     |     |     |     |   |     |     |     |     |     |     |     |     |     |     |   |     |     |     |     |     |     |     |     |   |     |     |     |     |     |     |     |     |     |     |   |     |     |     |     |     |     |     |     |   |     |     |     |     |     |     |     |     |     |     |   |     |     |     |     |     |     |     |     |   |     |     |     |     |     |     |     |     |     |     |   |     |     |     |     |     |     |     |     |    |     |     |     |     |     |     |     |     |     |     |    |     |     |     |     |     |     |     |     |    |     |     |     |     |     |     |     |     |     |     |    |     |     |     |     |     |     |     |     |    |     |     |     |     |     |     |     |     |     |     |    |     |     |     |     |     |     |     |     |    |     |     |     |     |     |     |     |     |     |     |    |     |     |     |     |     |     |     |     |    |     |     |     |     |     |     |     |     |     |     |    |     |     |     |     |     |     |     |     |    |     |     |     |     |     |     |     |     |     |     |    |     |     |     |     |     |     |     |     |    |     |     |     |     |     |     |     |     |     |     |    |     |     |     |     |     |     |     |     |    |     |     |     |     |     |     |     |     |     |     |    |     |     |     |     |     |     |     |     |    |     |     |     |     |     |     |     |     |     |     |    |     |     |     |     |     |     |     |     |    |     |     |     |     |     |     |     |     |     |     |    |     |     |     |     |     |     |     |     |    |      |      |      |      |      |      |      |      |      |      |    |      |      |      |      |      |      |      |      |                    |
| 12  | 6,0   | 6,0              | 6,0   | 6,0             | 6,0    | 6,0    | 6,0    | 6,0    | 6,0    | 6,0   | 12     | 6,0    | 6,0   | 6,0    | 6,0    | 6,0    | 6,0    | 6,0    | 6,0    |  |  |  |        |    |        |        |        |        |        |        |        |        |        |        |        |        |        |        |        |        |        |        |   |     |     |     |     |     |     |     |     |     |     |   |     |     |     |     |     |     |     |     |   |     |     |     |     |     |     |     |     |     |     |   |     |     |     |     |     |     |     |     |   |     |     |     |     |     |     |     |     |     |     |   |     |     |     |     |     |     |     |     |   |     |     |     |     |     |     |     |     |     |     |   |     |     |     |     |     |     |     |     |   |     |     |     |     |     |     |     |     |     |     |   |     |     |     |     |     |     |     |     |   |     |     |     |     |     |     |     |     |     |     |   |     |     |     |     |     |     |     |     |   |     |     |     |     |     |     |     |     |     |     |   |     |     |     |     |     |     |     |     |   |     |     |     |     |     |     |     |     |     |     |   |     |     |     |     |     |     |     |     |   |     |     |     |     |     |     |     |     |     |     |   |     |     |     |     |     |     |     |     |    |     |     |     |     |     |     |     |     |     |     |    |     |     |     |     |     |     |     |     |    |     |     |     |     |     |     |     |     |     |     |    |     |     |     |     |     |     |     |     |    |     |     |     |     |     |     |     |     |     |     |    |     |     |     |     |     |     |     |     |    |     |     |     |     |     |     |     |     |     |     |    |     |     |     |     |     |     |     |     |    |     |     |     |     |     |     |     |     |     |     |    |     |     |     |     |     |     |     |     |    |     |     |     |     |     |     |     |     |     |     |    |     |     |     |     |     |     |     |     |    |     |     |     |     |     |     |     |     |     |     |    |     |     |     |     |     |     |     |     |    |     |     |     |     |     |     |     |     |     |     |    |     |     |     |     |     |     |     |     |    |     |     |     |     |     |     |     |     |     |     |    |     |     |     |     |     |     |     |     |    |     |     |     |     |     |     |     |     |     |     |    |     |     |     |     |     |     |     |     |    |      |      |      |      |      |      |      |      |      |      |    |      |      |      |      |      |      |      |      |                    |
| 13  | 6,5   | 6,5              | 6,5   | 6,5             | 6,5    | 6,5    | 6,5    | 6,5    | 6,5    | 6,5   | 13     | 6,5    | 6,5   | 6,5    | 6,5    | 6,5    | 6,5    | 6,5    | 6,5    |  |  |  |        |    |        |        |        |        |        |        |        |        |        |        |        |        |        |        |        |        |        |        |   |     |     |     |     |     |     |     |     |     |     |   |     |     |     |     |     |     |     |     |   |     |     |     |     |     |     |     |     |     |     |   |     |     |     |     |     |     |     |     |   |     |     |     |     |     |     |     |     |     |     |   |     |     |     |     |     |     |     |     |   |     |     |     |     |     |     |     |     |     |     |   |     |     |     |     |     |     |     |     |   |     |     |     |     |     |     |     |     |     |     |   |     |     |     |     |     |     |     |     |   |     |     |     |     |     |     |     |     |     |     |   |     |     |     |     |     |     |     |     |   |     |     |     |     |     |     |     |     |     |     |   |     |     |     |     |     |     |     |     |   |     |     |     |     |     |     |     |     |     |     |   |     |     |     |     |     |     |     |     |   |     |     |     |     |     |     |     |     |     |     |   |     |     |     |     |     |     |     |     |    |     |     |     |     |     |     |     |     |     |     |    |     |     |     |     |     |     |     |     |    |     |     |     |     |     |     |     |     |     |     |    |     |     |     |     |     |     |     |     |    |     |     |     |     |     |     |     |     |     |     |    |     |     |     |     |     |     |     |     |    |     |     |     |     |     |     |     |     |     |     |    |     |     |     |     |     |     |     |     |    |     |     |     |     |     |     |     |     |     |     |    |     |     |     |     |     |     |     |     |    |     |     |     |     |     |     |     |     |     |     |    |     |     |     |     |     |     |     |     |    |     |     |     |     |     |     |     |     |     |     |    |     |     |     |     |     |     |     |     |    |     |     |     |     |     |     |     |     |     |     |    |     |     |     |     |     |     |     |     |    |     |     |     |     |     |     |     |     |     |     |    |     |     |     |     |     |     |     |     |    |     |     |     |     |     |     |     |     |     |     |    |     |     |     |     |     |     |     |     |    |      |      |      |      |      |      |      |      |      |      |    |      |      |      |      |      |      |      |      |                    |
| 14  | 7,0   | 7,0              | 7,0   | 7,0             | 7,0    | 7,0    | 7,0    | 7,0    | 7,0    | 7,0   | 14     | 7,0    | 7,0   | 7,0    | 7,0    | 7,0    | 7,0    | 7,0    | 7,0    |  |  |  |        |    |        |        |        |        |        |        |        |        |        |        |        |        |        |        |        |        |        |        |   |     |     |     |     |     |     |     |     |     |     |   |     |     |     |     |     |     |     |     |   |     |     |     |     |     |     |     |     |     |     |   |     |     |     |     |     |     |     |     |   |     |     |     |     |     |     |     |     |     |     |   |     |     |     |     |     |     |     |     |   |     |     |     |     |     |     |     |     |     |     |   |     |     |     |     |     |     |     |     |   |     |     |     |     |     |     |     |     |     |     |   |     |     |     |     |     |     |     |     |   |     |     |     |     |     |     |     |     |     |     |   |     |     |     |     |     |     |     |     |   |     |     |     |     |     |     |     |     |     |     |   |     |     |     |     |     |     |     |     |   |     |     |     |     |     |     |     |     |     |     |   |     |     |     |     |     |     |     |     |   |     |     |     |     |     |     |     |     |     |     |   |     |     |     |     |     |     |     |     |    |     |     |     |     |     |     |     |     |     |     |    |     |     |     |     |     |     |     |     |    |     |     |     |     |     |     |     |     |     |     |    |     |     |     |     |     |     |     |     |    |     |     |     |     |     |     |     |     |     |     |    |     |     |     |     |     |     |     |     |    |     |     |     |     |     |     |     |     |     |     |    |     |     |     |     |     |     |     |     |    |     |     |     |     |     |     |     |     |     |     |    |     |     |     |     |     |     |     |     |    |     |     |     |     |     |     |     |     |     |     |    |     |     |     |     |     |     |     |     |    |     |     |     |     |     |     |     |     |     |     |    |     |     |     |     |     |     |     |     |    |     |     |     |     |     |     |     |     |     |     |    |     |     |     |     |     |     |     |     |    |     |     |     |     |     |     |     |     |     |     |    |     |     |     |     |     |     |     |     |    |     |     |     |     |     |     |     |     |     |     |    |     |     |     |     |     |     |     |     |    |      |      |      |      |      |      |      |      |      |      |    |      |      |      |      |      |      |      |      |                    |
| 15  | 7,5   | 7,5              | 7,5   | 7,5             | 7,5    | 7,5    | 7,5    | 7,5    | 7,5    | 7,5   | 15     | 7,5    | 7,5   | 7,5    | 7,5    | 7,5    | 7,5    | 7,5    | 7,5    |  |  |  |        |    |        |        |        |        |        |        |        |        |        |        |        |        |        |        |        |        |        |        |   |     |     |     |     |     |     |     |     |     |     |   |     |     |     |     |     |     |     |     |   |     |     |     |     |     |     |     |     |     |     |   |     |     |     |     |     |     |     |     |   |     |     |     |     |     |     |     |     |     |     |   |     |     |     |     |     |     |     |     |   |     |     |     |     |     |     |     |     |     |     |   |     |     |     |     |     |     |     |     |   |     |     |     |     |     |     |     |     |     |     |   |     |     |     |     |     |     |     |     |   |     |     |     |     |     |     |     |     |     |     |   |     |     |     |     |     |     |     |     |   |     |     |     |     |     |     |     |     |     |     |   |     |     |     |     |     |     |     |     |   |     |     |     |     |     |     |     |     |     |     |   |     |     |     |     |     |     |     |     |   |     |     |     |     |     |     |     |     |     |     |   |     |     |     |     |     |     |     |     |    |     |     |     |     |     |     |     |     |     |     |    |     |     |     |     |     |     |     |     |    |     |     |     |     |     |     |     |     |     |     |    |     |     |     |     |     |     |     |     |    |     |     |     |     |     |     |     |     |     |     |    |     |     |     |     |     |     |     |     |    |     |     |     |     |     |     |     |     |     |     |    |     |     |     |     |     |     |     |     |    |     |     |     |     |     |     |     |     |     |     |    |     |     |     |     |     |     |     |     |    |     |     |     |     |     |     |     |     |     |     |    |     |     |     |     |     |     |     |     |    |     |     |     |     |     |     |     |     |     |     |    |     |     |     |     |     |     |     |     |    |     |     |     |     |     |     |     |     |     |     |    |     |     |     |     |     |     |     |     |    |     |     |     |     |     |     |     |     |     |     |    |     |     |     |     |     |     |     |     |    |     |     |     |     |     |     |     |     |     |     |    |     |     |     |     |     |     |     |     |    |      |      |      |      |      |      |      |      |      |      |    |      |      |      |      |      |      |      |      |                    |
| 16  | 8,0   | 8,0              | 8,0   | 8,0             | 8,0    | 8,0    | 8,0    | 8,0    | 8,0    | 8,0   | 16     | 8,0    | 8,0   | 8,0    | 8,0    | 8,0    | 8,0    | 8,0    | 8,0    |  |  |  |        |    |        |        |        |        |        |        |        |        |        |        |        |        |        |        |        |        |        |        |   |     |     |     |     |     |     |     |     |     |     |   |     |     |     |     |     |     |     |     |   |     |     |     |     |     |     |     |     |     |     |   |     |     |     |     |     |     |     |     |   |     |     |     |     |     |     |     |     |     |     |   |     |     |     |     |     |     |     |     |   |     |     |     |     |     |     |     |     |     |     |   |     |     |     |     |     |     |     |     |   |     |     |     |     |     |     |     |     |     |     |   |     |     |     |     |     |     |     |     |   |     |     |     |     |     |     |     |     |     |     |   |     |     |     |     |     |     |     |     |   |     |     |     |     |     |     |     |     |     |     |   |     |     |     |     |     |     |     |     |   |     |     |     |     |     |     |     |     |     |     |   |     |     |     |     |     |     |     |     |   |     |     |     |     |     |     |     |     |     |     |   |     |     |     |     |     |     |     |     |    |     |     |     |     |     |     |     |     |     |     |    |     |     |     |     |     |     |     |     |    |     |     |     |     |     |     |     |     |     |     |    |     |     |     |     |     |     |     |     |    |     |     |     |     |     |     |     |     |     |     |    |     |     |     |     |     |     |     |     |    |     |     |     |     |     |     |     |     |     |     |    |     |     |     |     |     |     |     |     |    |     |     |     |     |     |     |     |     |     |     |    |     |     |     |     |     |     |     |     |    |     |     |     |     |     |     |     |     |     |     |    |     |     |     |     |     |     |     |     |    |     |     |     |     |     |     |     |     |     |     |    |     |     |     |     |     |     |     |     |    |     |     |     |     |     |     |     |     |     |     |    |     |     |     |     |     |     |     |     |    |     |     |     |     |     |     |     |     |     |     |    |     |     |     |     |     |     |     |     |    |     |     |     |     |     |     |     |     |     |     |    |     |     |     |     |     |     |     |     |    |      |      |      |      |      |      |      |      |      |      |    |      |      |      |      |      |      |      |      |                    |
| 17  | 8,5   | 8,5              | 8,5   | 8,5             | 8,5    | 8,5    | 8,5    | 8,5    | 8,5    | 8,5   | 17     | 8,5    | 8,5   | 8,5    | 8,5    | 8,5    | 8,5    | 8,5    | 8,5    |  |  |  |        |    |        |        |        |        |        |        |        |        |        |        |        |        |        |        |        |        |        |        |   |     |     |     |     |     |     |     |     |     |     |   |     |     |     |     |     |     |     |     |   |     |     |     |     |     |     |     |     |     |     |   |     |     |     |     |     |     |     |     |   |     |     |     |     |     |     |     |     |     |     |   |     |     |     |     |     |     |     |     |   |     |     |     |     |     |     |     |     |     |     |   |     |     |     |     |     |     |     |     |   |     |     |     |     |     |     |     |     |     |     |   |     |     |     |     |     |     |     |     |   |     |     |     |     |     |     |     |     |     |     |   |     |     |     |     |     |     |     |     |   |     |     |     |     |     |     |     |     |     |     |   |     |     |     |     |     |     |     |     |   |     |     |     |     |     |     |     |     |     |     |   |     |     |     |     |     |     |     |     |   |     |     |     |     |     |     |     |     |     |     |   |     |     |     |     |     |     |     |     |    |     |     |     |     |     |     |     |     |     |     |    |     |     |     |     |     |     |     |     |    |     |     |     |     |     |     |     |     |     |     |    |     |     |     |     |     |     |     |     |    |     |     |     |     |     |     |     |     |     |     |    |     |     |     |     |     |     |     |     |    |     |     |     |     |     |     |     |     |     |     |    |     |     |     |     |     |     |     |     |    |     |     |     |     |     |     |     |     |     |     |    |     |     |     |     |     |     |     |     |    |     |     |     |     |     |     |     |     |     |     |    |     |     |     |     |     |     |     |     |    |     |     |     |     |     |     |     |     |     |     |    |     |     |     |     |     |     |     |     |    |     |     |     |     |     |     |     |     |     |     |    |     |     |     |     |     |     |     |     |    |     |     |     |     |     |     |     |     |     |     |    |     |     |     |     |     |     |     |     |    |     |     |     |     |     |     |     |     |     |     |    |     |     |     |     |     |     |     |     |    |      |      |      |      |      |      |      |      |      |      |    |      |      |      |      |      |      |      |      |                    |
| 18  | 9,0   | 9,0              | 9,0   | 9,0             | 9,0    | 9,0    | 9,0    | 9,0    | 9,0    | 9,0   | 18     | 9,0    | 9,0   | 9,0    | 9,0    | 9,0    | 9,0    | 9,0    | 9,0    |  |  |  |        |    |        |        |        |        |        |        |        |        |        |        |        |        |        |        |        |        |        |        |   |     |     |     |     |     |     |     |     |     |     |   |     |     |     |     |     |     |     |     |   |     |     |     |     |     |     |     |     |     |     |   |     |     |     |     |     |     |     |     |   |     |     |     |     |     |     |     |     |     |     |   |     |     |     |     |     |     |     |     |   |     |     |     |     |     |     |     |     |     |     |   |     |     |     |     |     |     |     |     |   |     |     |     |     |     |     |     |     |     |     |   |     |     |     |     |     |     |     |     |   |     |     |     |     |     |     |     |     |     |     |   |     |     |     |     |     |     |     |     |   |     |     |     |     |     |     |     |     |     |     |   |     |     |     |     |     |     |     |     |   |     |     |     |     |     |     |     |     |     |     |   |     |     |     |     |     |     |     |     |   |     |     |     |     |     |     |     |     |     |     |   |     |     |     |     |     |     |     |     |    |     |     |     |     |     |     |     |     |     |     |    |     |     |     |     |     |     |     |     |    |     |     |     |     |     |     |     |     |     |     |    |     |     |     |     |     |     |     |     |    |     |     |     |     |     |     |     |     |     |     |    |     |     |     |     |     |     |     |     |    |     |     |     |     |     |     |     |     |     |     |    |     |     |     |     |     |     |     |     |    |     |     |     |     |     |     |     |     |     |     |    |     |     |     |     |     |     |     |     |    |     |     |     |     |     |     |     |     |     |     |    |     |     |     |     |     |     |     |     |    |     |     |     |     |     |     |     |     |     |     |    |     |     |     |     |     |     |     |     |    |     |     |     |     |     |     |     |     |     |     |    |     |     |     |     |     |     |     |     |    |     |     |     |     |     |     |     |     |     |     |    |     |     |     |     |     |     |     |     |    |     |     |     |     |     |     |     |     |     |     |    |     |     |     |     |     |     |     |     |    |      |      |      |      |      |      |      |      |      |      |    |      |      |      |      |      |      |      |      |                    |
| 19  | 9,5   | 9,5              | 9,5   | 9,5             | 9,5    | 9,5    | 9,5    | 9,5    | 9,5    | 9,5   | 19     | 9,5    | 9,5   | 9,5    | 9,5    | 9,5    | 9,5    | 9,5    | 9,5    |  |  |  |        |    |        |        |        |        |        |        |        |        |        |        |        |        |        |        |        |        |        |        |   |     |     |     |     |     |     |     |     |     |     |   |     |     |     |     |     |     |     |     |   |     |     |     |     |     |     |     |     |     |     |   |     |     |     |     |     |     |     |     |   |     |     |     |     |     |     |     |     |     |     |   |     |     |     |     |     |     |     |     |   |     |     |     |     |     |     |     |     |     |     |   |     |     |     |     |     |     |     |     |   |     |     |     |     |     |     |     |     |     |     |   |     |     |     |     |     |     |     |     |   |     |     |     |     |     |     |     |     |     |     |   |     |     |     |     |     |     |     |     |   |     |     |     |     |     |     |     |     |     |     |   |     |     |     |     |     |     |     |     |   |     |     |     |     |     |     |     |     |     |     |   |     |     |     |     |     |     |     |     |   |     |     |     |     |     |     |     |     |     |     |   |     |     |     |     |     |     |     |     |    |     |     |     |     |     |     |     |     |     |     |    |     |     |     |     |     |     |     |     |    |     |     |     |     |     |     |     |     |     |     |    |     |     |     |     |     |     |     |     |    |     |     |     |     |     |     |     |     |     |     |    |     |     |     |     |     |     |     |     |    |     |     |     |     |     |     |     |     |     |     |    |     |     |     |     |     |     |     |     |    |     |     |     |     |     |     |     |     |     |     |    |     |     |     |     |     |     |     |     |    |     |     |     |     |     |     |     |     |     |     |    |     |     |     |     |     |     |     |     |    |     |     |     |     |     |     |     |     |     |     |    |     |     |     |     |     |     |     |     |    |     |     |     |     |     |     |     |     |     |     |    |     |     |     |     |     |     |     |     |    |     |     |     |     |     |     |     |     |     |     |    |     |     |     |     |     |     |     |     |    |     |     |     |     |     |     |     |     |     |     |    |     |     |     |     |     |     |     |     |    |      |      |      |      |      |      |      |      |      |      |    |      |      |      |      |      |      |      |      |                    |
| 20  | 10,0  | 10,0             | 10,0  | 10,0            | 10,0   | 10,0   | 10,0   | 10,0   | 10,0   | 10,0  | 20     | 10,0   | 10,0  | 10,0   | 10,0   | 10,0   | 10,0   | 10,0   | 10,0   |  |  |  |        |    |        |        |        |        |        |        |        |        |        |        |        |        |        |        |        |        |        |        |   |     |     |     |     |     |     |     |     |     |     |   |     |     |     |     |     |     |     |     |   |     |     |     |     |     |     |     |     |     |     |   |     |     |     |     |     |     |     |     |   |     |     |     |     |     |     |     |     |     |     |   |     |     |     |     |     |     |     |     |   |     |     |     |     |     |     |     |     |     |     |   |     |     |     |     |     |     |     |     |   |     |     |     |     |     |     |     |     |     |     |   |     |     |     |     |     |     |     |     |   |     |     |     |     |     |     |     |     |     |     |   |     |     |     |     |     |     |     |     |   |     |     |     |     |     |     |     |     |     |     |   |     |     |     |     |     |     |     |     |   |     |     |     |     |     |     |     |     |     |     |   |     |     |     |     |     |     |     |     |   |     |     |     |     |     |     |     |     |     |     |   |     |     |     |     |     |     |     |     |    |     |     |     |     |     |     |     |     |     |     |    |     |     |     |     |     |     |     |     |    |     |     |     |     |     |     |     |     |     |     |    |     |     |     |     |     |     |     |     |    |     |     |     |     |     |     |     |     |     |     |    |     |     |     |     |     |     |     |     |    |     |     |     |     |     |     |     |     |     |     |    |     |     |     |     |     |     |     |     |    |     |     |     |     |     |     |     |     |     |     |    |     |     |     |     |     |     |     |     |    |     |     |     |     |     |     |     |     |     |     |    |     |     |     |     |     |     |     |     |    |     |     |     |     |     |     |     |     |     |     |    |     |     |     |     |     |     |     |     |    |     |     |     |     |     |     |     |     |     |     |    |     |     |     |     |     |     |     |     |    |     |     |     |     |     |     |     |     |     |     |    |     |     |     |     |     |     |     |     |    |     |     |     |     |     |     |     |     |     |     |    |     |     |     |     |     |     |     |     |    |      |      |      |      |      |      |      |      |      |      |    |      |      |      |      |      |      |      |      |                    |
|   | Projeto: Felipe   | Data: 26/04/2013 | Código do Material:   |                 |        |        |        |        |        |   |        |        |   |        |        |        |        |        |        |  |  |  |        |    |        |        |        |        |        |        |        |        |        |        |        |        |        |        |        |        |        |        |   |     |     |     |     |     |     |     |     |     |     |   |     |     |     |     |     |     |     |     |   |     |     |     |     |     |     |     |     |     |     |   |     |     |     |     |     |     |     |     |   |     |     |     |     |     |     |     |     |     |     |   |     |     |     |     |     |     |     |     |   |     |     |     |     |     |     |     |     |     |     |   |     |     |     |     |     |     |     |     |   |     |     |     |     |     |     |     |     |     |     |   |     |     |     |     |     |     |     |     |   |     |     |     |     |     |     |     |     |     |     |   |     |     |     |     |     |     |     |     |   |     |     |     |     |     |     |     |     |     |     |   |     |     |     |     |     |     |     |     |   |     |     |     |     |     |     |     |     |     |     |   |     |     |     |     |     |     |     |     |   |     |     |     |     |     |     |     |     |     |     |   |     |     |     |     |     |     |     |     |    |     |     |     |     |     |     |     |     |     |     |    |     |     |     |     |     |     |     |     |    |     |     |     |     |     |     |     |     |     |     |    |     |     |     |     |     |     |     |     |    |     |     |     |     |     |     |     |     |     |     |    |     |     |     |     |     |     |     |     |    |     |     |     |     |     |     |     |     |     |     |    |     |     |     |     |     |     |     |     |    |     |     |     |     |     |     |     |     |     |     |    |     |     |     |     |     |     |     |     |    |     |     |     |     |     |     |     |     |     |     |    |     |     |     |     |     |     |     |     |    |     |     |     |     |     |     |     |     |     |     |    |     |     |     |     |     |     |     |     |    |     |     |     |     |     |     |     |     |     |     |    |     |     |     |     |     |     |     |     |    |     |     |     |     |     |     |     |     |     |     |    |     |     |     |     |     |     |     |     |    |     |     |     |     |     |     |     |     |     |     |    |     |     |     |     |     |     |     |     |    |      |      |      |      |      |      |      |      |      |      |    |      |      |      |      |      |      |      |      |                    |
|   | Detalhado: Felipe   | Data: 16/07/2018 | Material:   |                 |        |        |        |        |        |   |        |        |   |        |        |        |        |        |        |  |  |  |        |    |        |        |        |        |        |        |        |        |        |        |        |        |        |        |        |        |        |        |   |     |     |     |     |     |     |     |     |     |     |   |     |     |     |     |     |     |     |     |   |     |     |     |     |     |     |     |     |     |     |   |     |     |     |     |     |     |     |     |   |     |     |     |     |     |     |     |     |     |     |   |     |     |     |     |     |     |     |     |   |     |     |     |     |     |     |     |     |     |     |   |     |     |     |     |     |     |     |     |   |     |     |     |     |     |     |     |     |     |     |   |     |     |     |     |     |     |     |     |   |     |     |     |     |     |     |     |     |     |     |   |     |     |     |     |     |     |     |     |   |     |     |     |     |     |     |     |     |     |     |   |     |     |     |     |     |     |     |     |   |     |     |     |     |     |     |     |     |     |     |   |     |     |     |     |     |     |     |     |   |     |     |     |     |     |     |     |     |     |     |   |     |     |     |     |     |     |     |     |    |     |     |     |     |     |     |     |     |     |     |    |     |     |     |     |     |     |     |     |    |     |     |     |     |     |     |     |     |     |     |    |     |     |     |     |     |     |     |     |    |     |     |     |     |     |     |     |     |     |     |    |     |     |     |     |     |     |     |     |    |     |     |     |     |     |     |     |     |     |     |    |     |     |     |     |     |     |     |     |    |     |     |     |     |     |     |     |     |     |     |    |     |     |     |     |     |     |     |     |    |     |     |     |     |     |     |     |     |     |     |    |     |     |     |     |     |     |     |     |    |     |     |     |     |     |     |     |     |     |     |    |     |     |     |     |     |     |     |     |    |     |     |     |     |     |     |     |     |     |     |    |     |     |     |     |     |     |     |     |    |     |     |     |     |     |     |     |     |     |     |    |     |     |     |     |     |     |     |     |    |     |     |     |     |     |     |     |     |     |     |    |     |     |     |     |     |     |     |     |    |      |      |      |      |      |      |      |      |      |      |    |      |      |      |      |      |      |      |      |                    |
| Aprovado:   | Data:   | Quantidade: 0    | Peso(Kg): 74.57   | Peso Bruto(Kg): |        |        |        |        |        |   |        |        |   |        |        |        |        |        |        |  |  |  |        |    |        |        |        |        |        |        |        |        |        |        |        |        |        |        |        |        |        |        |   |     |     |     |     |     |     |     |     |     |     |   |     |     |     |     |     |     |     |     |   |     |     |     |     |     |     |     |     |     |     |   |     |     |     |     |     |     |     |     |   |     |     |     |     |     |     |     |     |     |     |   |     |     |     |     |     |     |     |     |   |     |     |     |     |     |     |     |     |     |     |   |     |     |     |     |     |     |     |     |   |     |     |     |     |     |     |     |     |     |     |   |     |     |     |     |     |     |     |     |   |     |     |     |     |     |     |     |     |     |     |   |     |     |     |     |     |     |     |     |   |     |     |     |     |     |     |     |     |     |     |   |     |     |     |     |     |     |     |     |   |     |     |     |     |     |     |     |     |     |     |   |     |     |     |     |     |     |     |     |   |     |     |     |     |     |     |     |     |     |     |   |     |     |     |     |     |     |     |     |    |     |     |     |     |     |     |     |     |     |     |    |     |     |     |     |     |     |     |     |    |     |     |     |     |     |     |     |     |     |     |    |     |     |     |     |     |     |     |     |    |     |     |     |     |     |     |     |     |     |     |    |     |     |     |     |     |     |     |     |    |     |     |     |     |     |     |     |     |     |     |    |     |     |     |     |     |     |     |     |    |     |     |     |     |     |     |     |     |     |     |    |     |     |     |     |     |     |     |     |    |     |     |     |     |     |     |     |     |     |     |    |     |     |     |     |     |     |     |     |    |     |     |     |     |     |     |     |     |     |     |    |     |     |     |     |     |     |     |     |    |     |     |     |     |     |     |     |     |     |     |    |     |     |     |     |     |     |     |     |    |     |     |     |     |     |     |     |     |     |     |    |     |     |     |     |     |     |     |     |    |     |     |     |     |     |     |     |     |     |     |    |     |     |     |     |     |     |     |     |    |      |      |      |      |      |      |      |      |      |      |    |      |      |      |      |      |      |      |      |                    |
| Esc.: 1:7   | \\SRV-ENGENHARIA\Engenharia\Projetos em Andamentos\OS 801-900\OS-875\   |                  |   |                 |        |        |        |        |        |   |        |        |   |        |        |        |        |        |        |  |  |  |        |    |        |        |        |        |        |        |        |        |        |        |        |        |        |        |        |        |        |        |   |     |     |     |     |     |     |     |     |     |     |   |     |     |     |     |     |     |     |     |   |     |     |     |     |     |     |     |     |     |     |   |     |     |     |     |     |     |     |     |   |     |     |     |     |     |     |     |     |     |     |   |     |     |     |     |     |     |     |     |   |     |     |     |     |     |     |     |     |     |     |   |     |     |     |     |     |     |     |     |   |     |     |     |     |     |     |     |     |     |     |   |     |     |     |     |     |     |     |     |   |     |     |     |     |     |     |     |     |     |     |   |     |     |     |     |     |     |     |     |   |     |     |     |     |     |     |     |     |     |     |   |     |     |     |     |     |     |     |     |   |     |     |     |     |     |     |     |     |     |     |   |     |     |     |     |     |     |     |     |   |     |     |     |     |     |     |     |     |     |     |   |     |     |     |     |     |     |     |     |    |     |     |     |     |     |     |     |     |     |     |    |     |     |     |     |     |     |     |     |    |     |     |     |     |     |     |     |     |     |     |    |     |     |     |     |     |     |     |     |    |     |     |     |     |     |     |     |     |     |     |    |     |     |     |     |     |     |     |     |    |     |     |     |     |     |     |     |     |     |     |    |     |     |     |     |     |     |     |     |    |     |     |     |     |     |     |     |     |     |     |    |     |     |     |     |     |     |     |     |    |     |     |     |     |     |     |     |     |     |     |    |     |     |     |     |     |     |     |     |    |     |     |     |     |     |     |     |     |     |     |    |     |     |     |     |     |     |     |     |    |     |     |     |     |     |     |     |     |     |     |    |     |     |     |     |     |     |     |     |    |     |     |     |     |     |     |     |     |     |     |    |     |     |     |     |     |     |     |     |    |     |     |     |     |     |     |     |     |     |     |    |     |     |     |     |     |     |     |     |    |      |      |      |      |      |      |      |      |      |      |    |      |      |      |      |      |      |      |      |                    |



A3  
SolidWorks