

LIEBHERR

Use and Care Manual

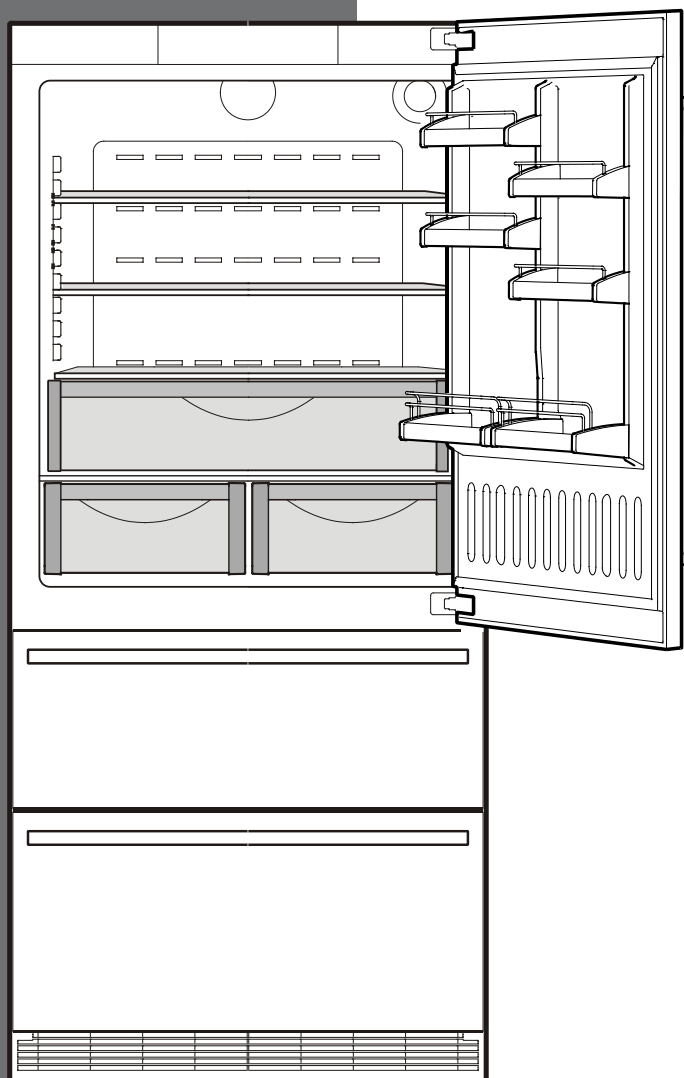
For “NoFrost” Combined
Refrigerator-Freezers with IceMaker

Manuel d'utilisation et d'entretien

Pour les combinés
réfrigérateur-congélateur
NoFrost avec IceMaker
Page 27

Instrucciones de manejo y de mantenimiento

Para combinados
frigorífico-congelador
NoFrost con IceMaker
Página 53



CS 2060 / HC 2060
7084 351-00

Congratulations on your purchase. Choosing this appliance means you want all the benefits of state-of-the-art refrigeration technology, guaranteeing you top quality, a long appliance life span and excellent reliability.

The features on your appliance have been designed to ensure maximum convenience - day in, day out.

This appliance has been manufactured with recyclable materials using an environmentally friendly process, so together we're making an active contribution to the preservation of our environment.

To get to know all the benefits of your new appliance, please read the information contained in these operating instructions carefully.

We know you will be pleased with your new appliance.

Additional benefits

- CFC-free
- Energy-optimized refrigerant circuit
- Energy-efficient insulation
- Low energy consumption
- User-friendly electronic controls
- Display of functions switched on
- Temperature can be controlled within climate rating range, regardless of room temperature
- Refrigerator and freezer compartments defrost automatically - no need to spend time defrosting
- Big net refrigerator capacity
- Variable and practical features
- Safety-glass storage shelves
- Big net freezer capacity
- Automatic Ice Maker
- Water filter for good water quality ice production
- Freezer temperature increase alarm
- Audible door open alarm
- Power failure/"frost-control" display
- Fresh food can be fast-frozen as required
- All drawers suitable for fast freezing
- Integrated transport grips on appliance housing
- Transport castors
- Easy to clean
- This unit is certified as Sabbath compliant by the Star-K organization thus allowing the appliance to be used during religious holidays. For more information please visit Star-K on the web at www.star-k.org.

TABLE OF CONTENTS

Contents	Page
Disposal of Old Appliance	4
Disposal of this Appliance	4
Disposal of Carton	4
R600a Refrigerant	4
Setting up	4
Important Safety Information	5
Electrical Safety	6
Safety Regulations.....	6
Water Filter.....	7
Installing the Water Filter.....	7
Removing the Water Filter.....	7
Description of Appliance and Equipment.....	8
Operating and Control Elements.....	9
Turning the Appliance On and Off	10
Power Failure/Frost-Control Display	11
Setup Mode.....	12
Arranging Food	16
Shelf Arrangement.....	16
Interior Light	17
Freezer Compartment Description	18
Removing the Freezer Compartment Containers.....	18
Freezing	19
Freezing with Superfrost.....	19
Freezing and Storage	19
Safety Instructions and Warnings for the Automatic Ice Maker	20
Turning the Ice Maker On and Off	20
Ice Maker Description	20
Defrosting.....	21
Cleaning	21
Cleaning the Air Filter	22
Vacation Tips	23
Troubleshooting	24
Ice Maker Troubleshooting	25
Appliance Information.....	25
Liebherr Warranty Plan.....	26

Please Read and Follow these Instructions

These instructions contain Danger, Warning and Caution statements.

This information is important for safe and efficient installation and operation.

Always read and follow all Danger, Warning and Caution statements!



DANGER!

Danger indicates a hazard which will cause serious injury or death if precautions are not followed.



WARNING!

Warning indicates a potentially hazardous situation which, if not avoided, could result in death or serious injury.



CAUTION!

Caution indicates a potentially hazardous situation which, if not avoided, may result in minor or moderate injury.

IMPORTANT

This highlights information that is especially relevant to a problem-free installation and operation.

California Proposition 65

This product contains chemicals known to the state of California to cause cancer or reproductive harm.

IMPORTANT

All types and models are subject to continuous improvement. The manufacturer reserves the right to make modifications in the shape, equipment and technology.

SAFETY

Disposal of Old Appliance



DANGER!

Risk of child entrapment.

Child entrapment and suffocation are not problems of the past.

Junked or abandoned refrigerators are still dangerous – even if they will sit for “just a few days.”

If you are getting rid of your old refrigerator, please follow these instructions to help prevent accidents.

Before you discard old appliances:

- Remove the doors.
- Leave the shelves in place so that children may not easily climb inside.
- Cut off the power cable from the discarded appliance. Discard separately from the appliance.
- Be sure to follow your local requirements for disposal of appliances.

Contact the trash collection agency in your area for additional information.

Disposal of this Appliance

This appliance contains flammable gases within the refrigeration circuit and insulation foam.

Contact the Municipality or Disposal Company in your area for information on approved recycling or disposal.

Disposal of Carton

The packaging is designed to protect the appliance and individual components during moving and is made of recyclable materials.



WARNING!

Keep packaging materials away from children. Polythene sheets and bags can cause suffocation!

Please recycle packaging material where facilities are available.

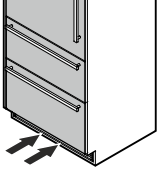
R600a Refrigerant



WARNING!

The refrigerant contained within the appliance R600a is environmentally friendly, but flammable. Leaking refrigerant can ignite.

To prevent possible ignition follow the warnings below:

- Keep ventilation openings, in the appliance enclosure or in the built-in structure, clear of obstruction. 
- Do not use mechanical devices or other means to accelerate the defrosting process, other than those recommended by the manufacturer.
- Do not damage the refrigerant circuit.
- Any repairs and work on the appliance should only be performed by the customer service department.
- Do not use electrical appliances inside the food storage compartments of the appliance, unless they are of the type recommended by the manufacturer.

Setting up

Avoid placing the appliance in direct sunlight or near the stove, range top, radiators and similar heat sources.

As soon as you uncrate the unit:

- Examine the unit and packaging for shipping damage. Contact the carrier immediately if you suspect there is any damage.
- Note the type (model number), index, appliance / serial number, date of purchase and where purchased on the spaces provided in the back of this manual.

Important Safety Information

- To prevent injury to you or damage to the unit, the appliance should be unpacked and set up by two people.
- If the appliance is damaged on delivery, contact the supplier immediately before connecting to the power source.
- To guarantee safe operation, ensure that the appliance is set up and connected as described in these operating instructions.
- Disconnect the appliance from the power source if a fault occurs. Pull out the plug, turn off or remove the fuse.
- When disconnecting the appliance, use the plug. Do not pull on the cable.
- Any repairs and work on the appliance should only be carried out by the customer service department. Unauthorized work may be dangerous to the user. Changing the power source cable should only be done by the customer service department.
- Do not eat ice cream, particularly ice cream treats, or ice cubes, immediately from the freezer compartment. There is a risk of “burning” because of the very cold temperatures.
- Do not consume food which has been stored for too long; it could cause food poisoning.
- Do not store explosives or sprays using combustible propellants such as butane, propane, pentane, etc. in the appliance. Electrical components might cause leaking gas to ignite. You may identify such sprays by the printed contents or a flame symbol.
- Do not allow children to play with the appliance. Children must not climb, sit or stand on the shelves, drawers or door.
- To prevent possible injury due to an electrical shock, be sure to disconnect the power cord or turn off the circuit breaker before cleaning the appliance.
- To avoid injury or damage to the appliance, do not use steam cleaning equipment to clean the appliance.
- Do not operate the refrigerator in the presence of explosive fumes.
- In the event of a power outage, minimize opening the refrigerator door(s). Protect the food either by placing dry ice on top of the packages or using a local frozen food locker if the power failure is of a long duration. Do not attempt to re-freeze any previously frozen food that has thawed.

SAFETY

Electrical Safety

Connect this appliance to a 15 amp or 20 amp, 110-120 VAC, circuit which is grounded and protected by a circuit breaker or fuse.

We recommend using a dedicated circuit for this appliance to prevent circuit overload and the chance of interruption to the appliance.

This appliance is equipped with a three-prong (grounding) polarized plug for your protection against possible shock hazards.

Where a two-prong wall receptacle is encountered, contact a qualified electrician and have it replaced with a properly grounded three-prong receptacle in accordance with all local codes and ordinances.



WARNING!

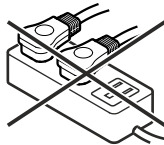
Electrocution hazard.

Electrical grounding required.

- Do not remove the round grounding prong from the plug. →
- Do not use extension cords or ungrounded (two prong) adapters.
- Do not use a power cord that is frayed or damaged.



- Do not use a power strip. →



Failure to follow these instructions may result in fire, electrical shock or death.

Safety Regulations

The appliance is designed to cool, freeze and store food and to make ice. It is designed as a household appliance.

IMPORTANT

The appliance is not intended for outdoor use.

The appliance is manufactured to operate within specific ambient temperature limits according to its climate rating.

The climate rating indicates the ambient temperature at which the appliance may be operated in order to achieve full refrigeration performance.

Climate Rating

SN-T

Ambient Temperature

50°F to 109°F (10°C to 43°C)

IMPORTANT

Do not operate the appliance outside the specified ambient temperature range.

- The refrigerant circuit has been tested for leaks.
- The appliance complies with current safety regulations

CAN/CSA C22.2 No.60335-1-11

UL 60335-1 Fifth Edition

CAN/CSA C22.2 No. 60335-2-24-06

UL 60335-2-24 First Edition

We recommend cleaning the appliance before turning it on for the first time. See **Cleaning**.

Turn on the appliance several hours before loading it.

Do not load with frozen food until the temperature shows approximately 0°F (-18°C).



WARNING!

Do not allow children to play with the appliance. Children must not climb, sit or stand on the racks or door.

Failure to follow these instructions may result in death or serious injury.

WATER FILTER

Water Filter - Figure 1

Before turning on the appliance install the water filter provided in the interior rear wall of the refrigerator compartment. This ensures good ice cube quality and keeps the water circuit free of solids such as sand.

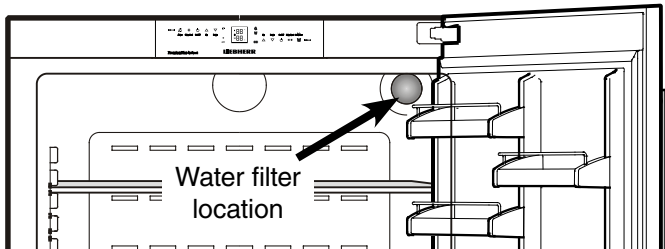
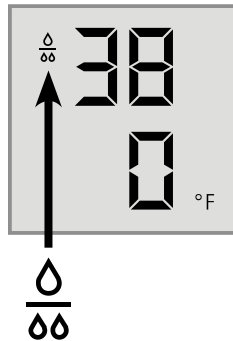


Figure 1

Replace the filter when the drop symbol appears on the temperature display. Filters can be obtained from your Liebherr Dealer or Distributor.



WARNING

To avoid the risk of bacteria growth, the water filter must be changed when the waterdrop symbol appears on the display!

IMPORTANT NOTE

It is not necessary to turn off the water supply when removing or installing the water filter.

Installing the Water Filter - Figure 2 and Figure 3

1. Remove cover of the filter socket.

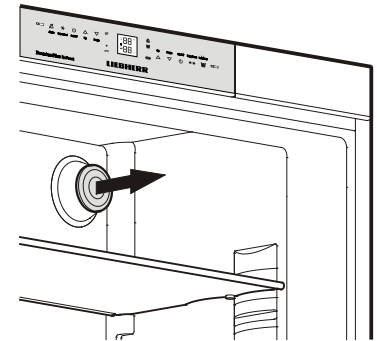


Figure 2

2. Insert the filter and turn it 90° clockwise.

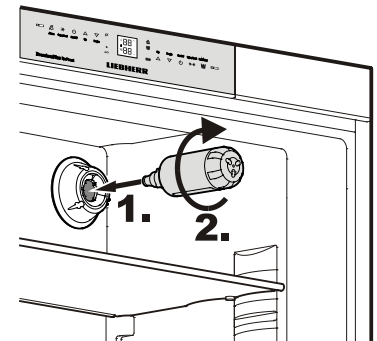


Figure 3

Removing the Water Filter - Figure 4

3. Turn the filter 90° counterclockwise and remove.

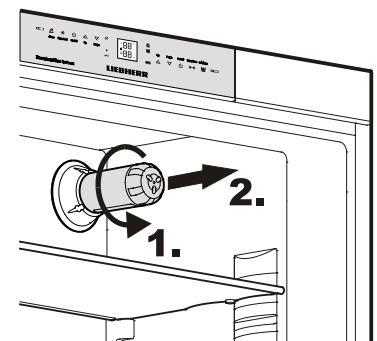


Figure 4

FEATURES

Description of Appliance and Equipment - Figure 5

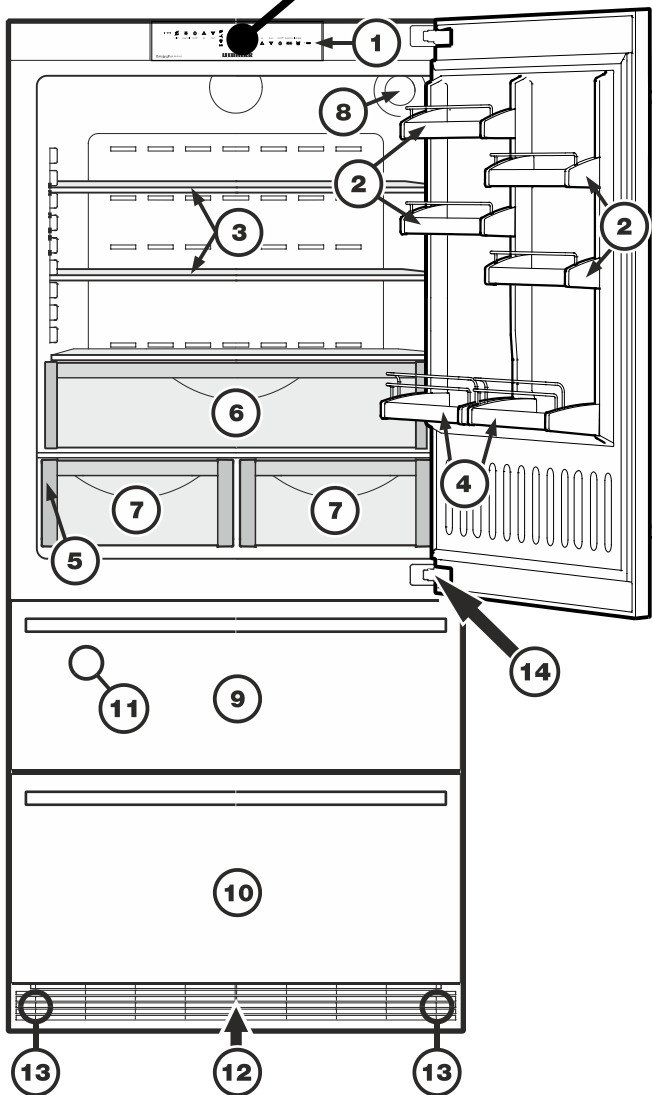
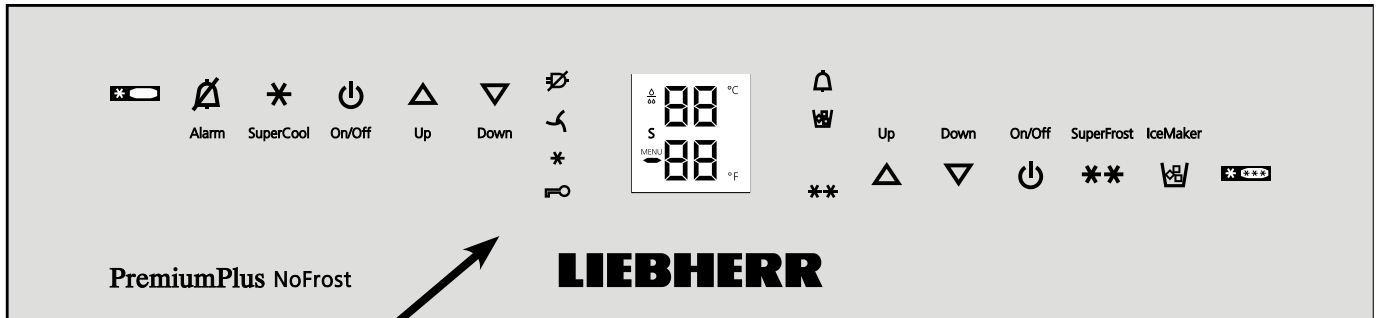


Figure 5

Description of Refrigerator

- (1) Operating and Control Elements
- (2) Adjustable Door Racks
- (3) Adjustable Shelves
- (4) Gallon Rack
- (5) Model Plate (behind the Vegetable Bin on the left hand side)
- (6) Drawer
- (7) Vegetable Drawers
- (8) Water Filter

Description of Freezer

- (9) Upper Freezer Drawer
- (10) Lower Freezer Drawer
- (11) Ice Maker (in the interior of the Upper Freezer Drawer)
- (12) Ventilation Grille
- (13) Adjustable-Height Unit (behind the Ventilation Grille)
- (14) Lower hinge

Operating and Control Elements - Figure 6, Figure 7

The electronic control panel has the new **“Touch capacitance technology”**. Any function can be activated by a fingertip on the symbol of the operating icons.

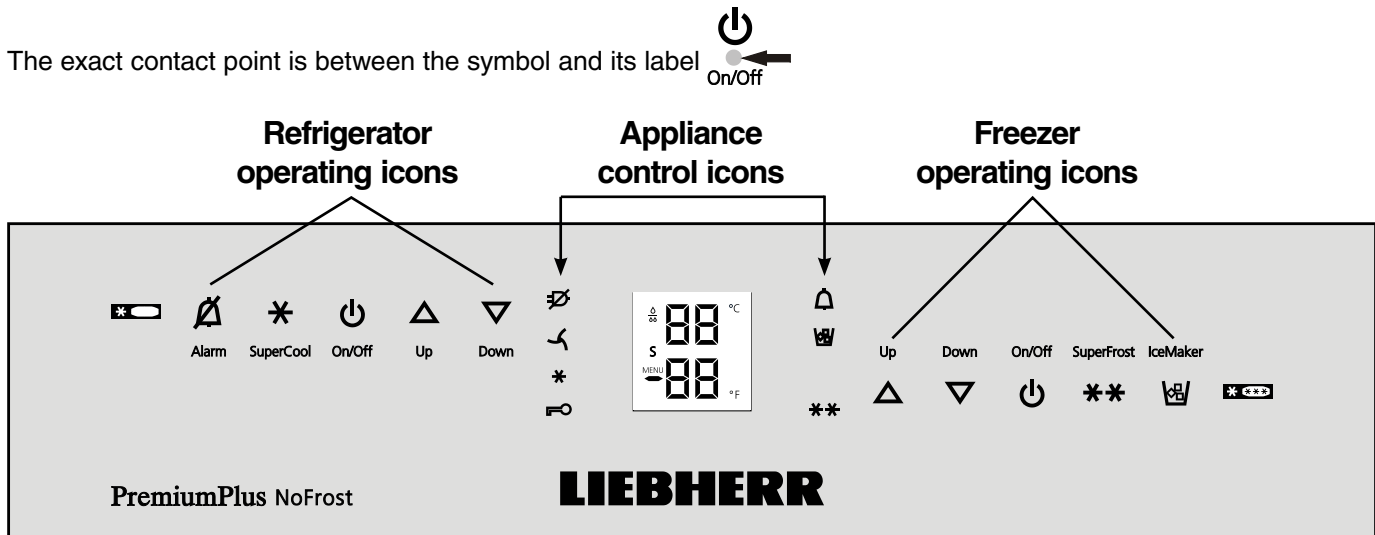


Figure 6

Refrigerator operating icons

- Alarm mute (refrigerator and freezer)
- Supercool
- Refrigerator On/Off
- Temperature Up control (to increase the refrigerator temperature)
- Temperature Down control (to reduce the refrigerator temperature)

Appliance control icons

- Power Failure LED
- Air Filter LED
When this LED lights up the air filter in the toe kick area has to be cleaned.
- Supercooling LED
- Child Lock LED
- Alarm LED
- IceMaker on LED
- Superfrost LED

Freezer operating icons

- Temperature Up control (to increase the freezer temperature)
- Temperature Down control (to reduce the freezer temperature)
- Freezer On/Off
- Superfrost
- IceMaker On/Off

Temperature and control display

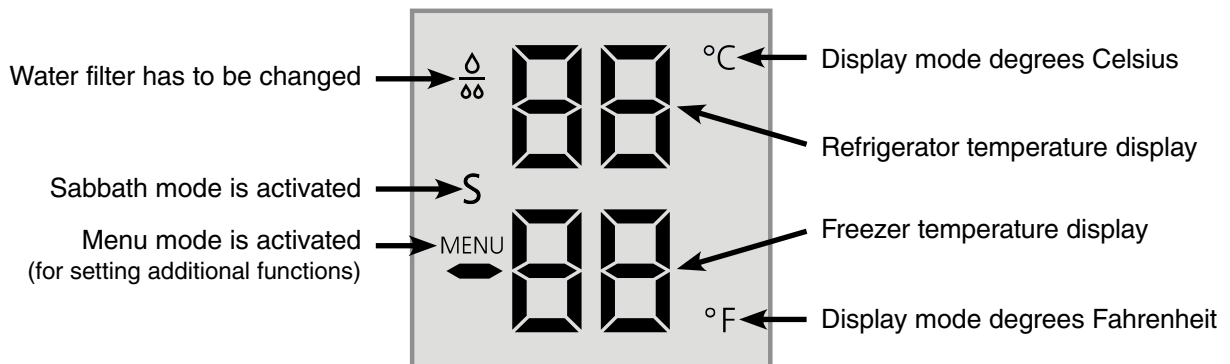


Figure 7

OPERATION

Turning the Appliance On and Off - Figure 8

Clean the appliance before turning it on for the first time. See **Cleaning**.

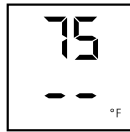
Do not place frozen food in the freezer until the temperature shows at least 0°F / -18°C. The refrigerator and freezer compartments can be operated separately.

1. Turning on:

Touch the Refrigerator On/Off icon

and the Freezer On/Off icon

so the Temperature Displays light up.



The interior light will turn on if one of the refrigerator doors or freezer drawers are open.

2. Turning off: To turn off the refrigerator or freezer, touch the corresponding On/off icon for approximately 3 seconds so the temperature display and interior lights go out.

Setting the Temperature - Figure 8

The appliance is pre-set for normal operation. We recommend temperatures of 38°F (3°C) in the refrigerator and 0°F (-18°C) in the freezer.

To reduce the temperature:

Touch the DOWN icon on the left to reduce the refrigerator temperature and the DOWN icon on the right to reduce the freezer temperature.

To increase the temperature:

Touch the UP icon on the left to increase the refrigerator temperature and on the right to increase the freezer temperature.

1. While you are entering the temperature, **the set temperature will flash** on the display.
2. When you touch the temperature setting icons for the first time, the most recent setting is displayed.
3. You can change the settings in increments of 1°F (1°C) by briefly touching the icons again. If the icons are held the temperature setting will change faster.
4. Approximately five seconds after the icon has been released, the display will automatically show the actual freezing or cooling temperature.
5. You can change the temperatures:
 - **In the refrigerator** – between 36°F and 44°F (2°C and 6°C) and
 - **In the freezer** – between -15°F and 7°F (-27°C and -14°C).

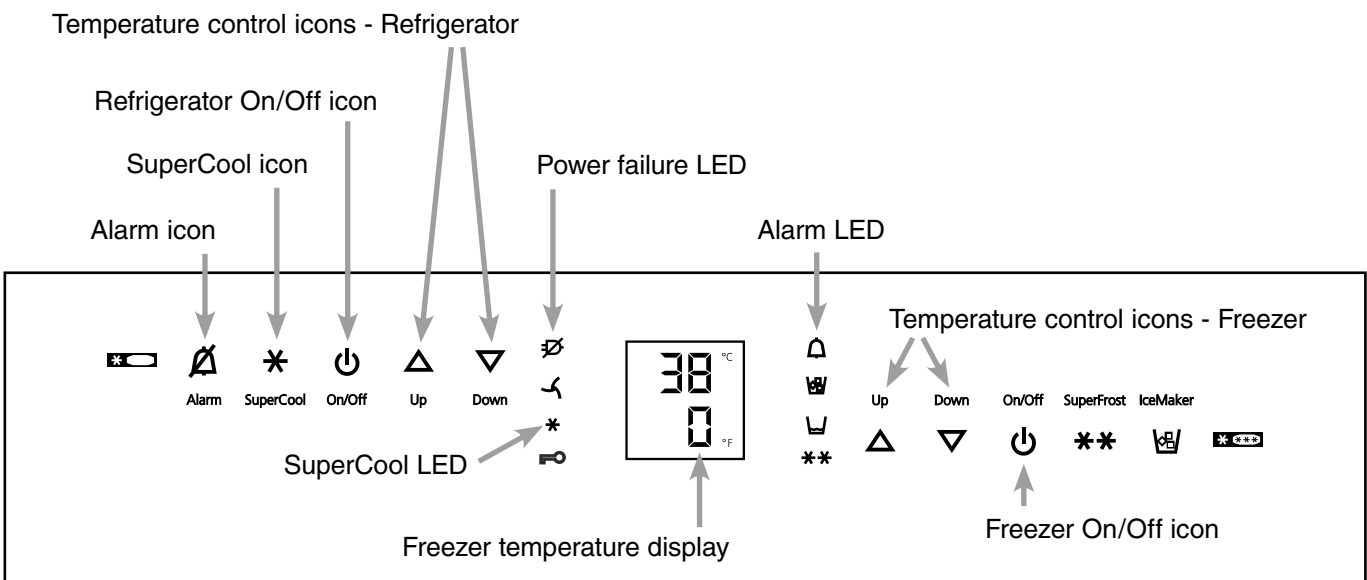


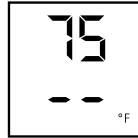
Figure 8

Temperature Display - Figure 8

In normal operation, the following settings will be displayed:

- the average refrigerator temperature
- the warmest frozen food temperature.

When starting up for the first time or when the appliance is warm, dashes will appear in the freezer temperature display, until the temperature in the freezer compartment is 32°F (0°C).




It will take between three and eight hours for the required temperature, 0°F or 38°F (-18°C or 3°C) to be reached and displayed permanently in the display, depending on the ambient conditions and the temperature setting.

The display will flash:

- if you change the temperature or
- if the temperature rises by several degrees, indicating cold loss, e.g. if you place fresh, “warm” food in the freezer or if you remove or repack frozen food, the temperature may rise for a short time due to warm air flowing into the freezer.
- If “F1” to “F5” appears in the display, the appliance has a fault. Have the fault number available when you contact the customer service department.

Power Failure/Frost-Control Display - Figure 8

If the power failure LED  is lit, this means the freezer temperature has risen too **high** during the last few hours or days due to a power failure. The freezer temperature display flashes at the same time.

- If you touch the **Alarm** icon now, the highest temperature registered during the power failure will be displayed.
- Check the quality of the food in case it has become too warm or even defrosted.
- The highest temperature will appear for approximately one minute. After that, the actual temperature in the freezer will reappear.

The display can be turned off by touching the Alarm icon again.

Audible Alarm Signal - Figure 8


The audible alarm signal helps to protect frozen food and to save energy.

The audible alarm signal is switched off by touching the alarm icon.

Audible door alarm

This sounds when the door has been left open for longer than about 180 seconds. The sound switch-off function is active as long as the door is left open. The alarm automatically switches back to standby when the door is shut.

Audible/visual temperature alarm

It always sounds if the freezer temperature is not low enough. The *temperature display and the alarm LED  flashes* at the same time.


This can be caused by:

- warm, fresh food being placed in the freezer;
- too much warm air from the outside entering when re-arranging or removing frozen food,
- a fault in the appliance.

The temperature display will continue to *flash* until the cause of the alarm has been rectified. It will then stop flashing and light up continually. The audible warning signal is now automatically *reset*.

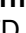
Supercool - Figure 8

Touching the Supercool icon switches the refrigerator compartment to maximum cooling. It is recommended particularly if you wish to cool large quantities of food, drinks, freshly baked goods or meals rapidly.

- **Turning on:** Touch the Supercool icon briefly so the LED  turns on. The refrigerator temperature will drop to its lowest value.

IMPORTANT

The Supercool function uses slightly more energy. After approximately six hours, however, the refrigerator switches back automatically to normal energy-saving operation. If required, the Supercooling function can be turned off sooner.

- **Turning off:** Touch the Supercool icon again until the LED  turns off.

OPERATION

Setup Mode

In the setup mode you can activate the following functions:

- ⏸ = Sabbath mode
- 🔒 = Child proof lock
- ↺ = Drop symbol reset
- { = Ice maker function test (for service personnel only)
- ⏸ = Water quantity for Ice cube tray
- ⏸ = Temperature display mode
- h = Display brightness
- ⏸ = Lower hinge heating control
- ⏸ = Reset Air filter LED

How to activate the setup mode - Figure 9

- Touch the **Superfrost** icon for approximately five seconds
 - the **Superfrost LED **** turns on for 5 seconds
 - after 5 seconds ⏸ will flash in the display.

The appliance is in the setup mode now.

You can select the setup mode functions by touching the freezer compartment **Up/Down** icons.

Note

In the setup mode the display will flash continuously.

Exit setup mode:

- Touch the freezer compartment **On/Off** icon. The appliance will change back to normal operation.



⏸ = Sabbath mode

This feature considers the Religious requirements on Sabbath or Holidays. When the Sabbath mode is active some functions of the electronic controls are switched off.

The door can be opened and closed at any time.



- The lighting remains off.
- The cooling fan remains in its actual state: If it is on it remains on, if it is off it remains off.
- There is no door alarm.
- There is no temperature alarm.
- Defrost cycles are independent of the number of times and length of door openings.
- The unit will return into Sabbath Mode after a power failure.

How to activate the Sabbath mode

- Activate the setup mode by touching the **SuperFrost** icon for 5 seconds.
 - the display shows ⏸
- Touch the **SuperFrost** icon
 - the display shows 
- Touch the **SuperFrost** icon again
 - the display shows 
 - the Sabbath mode is activated.
- Exit setup mode by touching the freezer compartment **On/Off** icon.

Sabbath mode switches off automatically after 120 hours if it is not manually switched off beforehand.

How to deactivate the Sabbath mode

- Activate the setup mode by touching the **SuperFrost** icon for 5 seconds.
 - the display shows ⏸
- Touch the **SuperFrost** icon
 - the display shows 
- Touch the **SuperFrost** icon again
 - the ⏸ symbol  in the display disappears,
 - the Sabbath mode is deactivated.
- Exit setup mode by touching the freezer compartment **On/Off** icon.

☐ = Child lock

The child lock is designed to protect the appliance from being turned off accidentally.

How to activate the child lock

- Activate the setup mode by touching the **Superfrost** icon for 5 seconds
- Touch the **freezer compartment Down** icon until ☐ appears in the freezer temperature display.
- Touch the **Superfrost** icon
 - the display shows
- Touch the **Superfrost** icon again
 - the LED is lit and the child lock is activated.
- Exit setup mode by touching the freezer compartment **On/Off** icon.

How to deactivate the child lock

- Activate the setup mode by touching the **Superfrost** icon for 5 seconds.
 - the display shows
- Touch the **Superfrost** icon
 - the display shows
- Touch the **Superfrost** icon again
 - the LED goes out. The child lock is deactivated.
- Exit setup mode by touching the freezer compartment **On/Off** icon.

F = Drop symbol reset

After the Water filter has been changed the drop symbol on the display must be reset.



How to reset the drop symbol

- Activate the setup mode by touching the **Superfrost** icon for 5 seconds.
- Touch the **freezer compartment Down** icon until F appears in the freezer temperature display.
- Touch the **Superfrost** icon
 - the display shows
- Touch the **Superfrost** icon again
 - the display shows
- The drop symbol disappears.
- Exit setup mode by touching the freezer compartment **On/Off** icon.

{ = Ice maker function test

Activation by service personnel only.

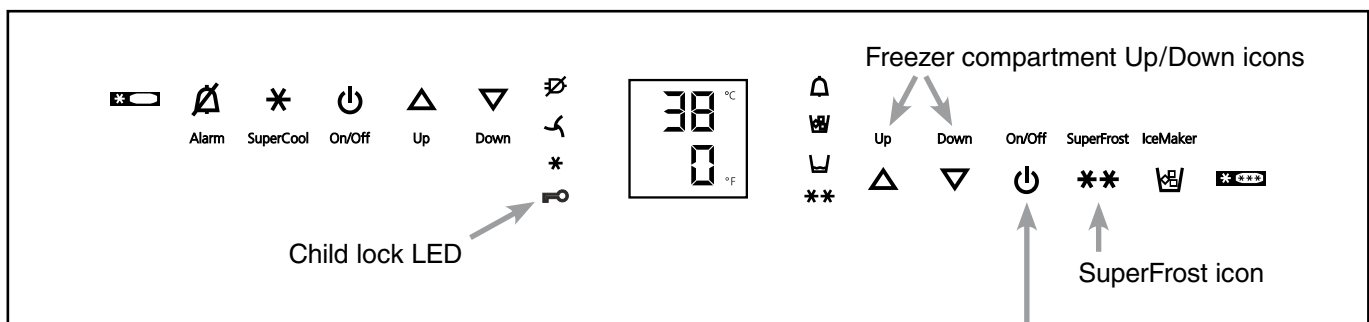


Figure 9

Freezer On/Off icon

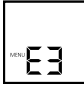
OPERATION

Setup Mode - Figure 10

E = Water quantity for Ice cube tray

If the produced ice cubes of the Ice Maker are too small, the inflowing water quantity can be adjusted.

How to adjust the water quantity

- Activate the setup mode by touching the **Superfrost** icon for 5 seconds.
- Touch the **freezer compartment Down** icon until **E** appears in the freezer temperature display.
- Touch the **Superfrost** icon
 - the display shows 
- Touch **freezer compartment Up** icon once only so **E 4** appears in the display.

IMPORTANT

Do not increase for more than one step. If the adjusted value is too high the ice cube tray of the Ice Maker could overflow.

- Touch the **Superfrost** icon again.
- Exit setup mode by touching the freezer compartment **On/Off** icon.

Check the ice cube size within the next days. If the ice cubes are still smaller as desired, follow the steps above again.


□ = Temperature display mode

You can choose the **unit of temperature** for the display in degrees Fahrenheit or degrees Celsius.

Note

The factory setting is degrees Fahrenheit.

How to change the temperature display to degrees Celsius


- Activate the setup mode by touching the **Superfrost** icon for 5 seconds.
- Touch the **freezer compartment Down** icon until **□** appears in the freezer temperature display.
- Touch the **Superfrost** icon
 - the display shows 
- Touch the **Superfrost** icon again
 - the temperature reading is now displayed in degree Celsius.
- Exit setup mode by touching the freezer compartment **On/Off** icon.

Note

To change the temperature display back to degrees Fahrenheit, follow the steps above.

h = Display brightness

How to adjust the display brightness

- Activate the setup mode by touching the **Superfrost** icon for 5 seconds.
- Touch the **freezer compartment Down** icon until **h** appears in the freezer temperature display.
- Touch the **Superfrost** icon
 - the display shows 
- Touch **freezer compartment Up/Down** icons to select
 - h 0** = minimum to
 - h 5** = maximum brightness
- Touch the **Superfrost** icon at the desired value.
- Exit setup mode by touching the freezer compartment **On/Off** icon.

H = Lower hinge heating control

If condensed water appears in the lower hinge area or on the base plate between refrigerator and freezer compartment increase the output of the heating located behind the base plate.

The factory setting is set to HA = medium output

How to change the heating output

- Activate the setup mode by touching the **Superfrost** icon for 5 seconds
- Touch the **freezer compartment Down** icon until H appears in the freezer temperature display.
- Touch the **Superfrost** icon

- the display shows



- Touch **freezer compartment Up/Down** icons to select

HA = at slight condensation

H I = at heavy condensation

H O = heating off

- Touch the **Superfrost** icon at the desired value.
- Exit setup mode by touching the freezer compartment **On/Off** icon.

Note

With normal ambient conditions no condensation will appear. With high humidity and low ambient temperature this feature helps to prevent condensation.

Reset air filter LED

After the air filter in the toe kick area has been cleaned the air filter LED must be reset. For how to clean the air filter refer to chapter "Cleaning".

How to reset the air filter LED

- Activate the setup mode by touching the **Superfrost** icon for 5 seconds.
- Touch the **freezer compartment Down** icon until a reset icon appears in the freezer temperature display.
- Touch the **Superfrost** icon

- the display shows



- Touch the **Superfrost** icon again

- the display shows



- The air filter LED disappears.
- Exit setup mode by touching the freezer compartment **On/Off** icon.

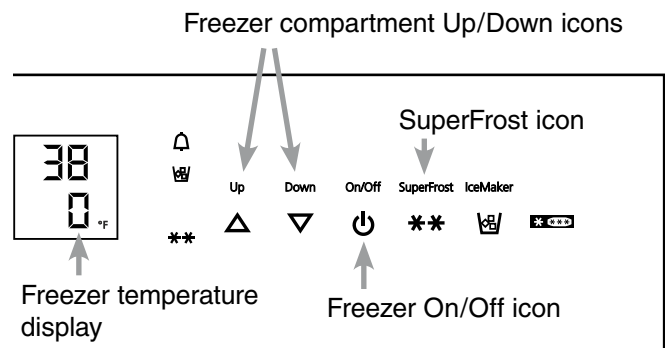


Figure 10

REFRIGERATOR COMPARTMENT

Arranging Food - Figure 11

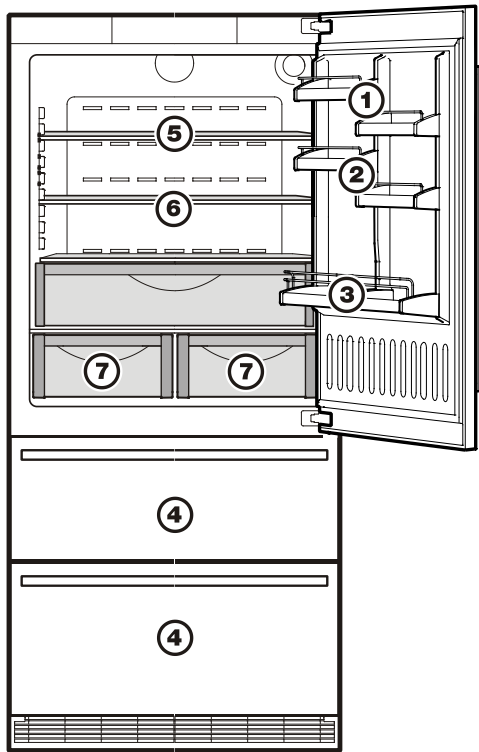


Figure 11

- (1) Butter, cheese
- (2) Eggs, cans, drinks, bottles
- (3) Gallon containers
- (4) Frozen food, ice cubes
- (5) Meat and sausage products, dairy products
- (6) Baked goods, pre-cooked meals
- (7) Fruit, vegetables, salad

IMPORTANT

- Liquids and food which give off or absorb odors and flavors should always be stored covered or in closed containers.
- High-percentage alcohols should be tightly sealed and stored upright.
- Fruit, vegetables and salad can be stored unpacked in the bins.

Shelf Arrangement

To remove the vegetable drawer

Pull the drawer straight out, grip at the back and lift out - Figure 12.

To install the vegetable drawer

Place the drawer on the rails. The rails must be fully extended and aligned with the front of the drawer. Slide the drawer in.

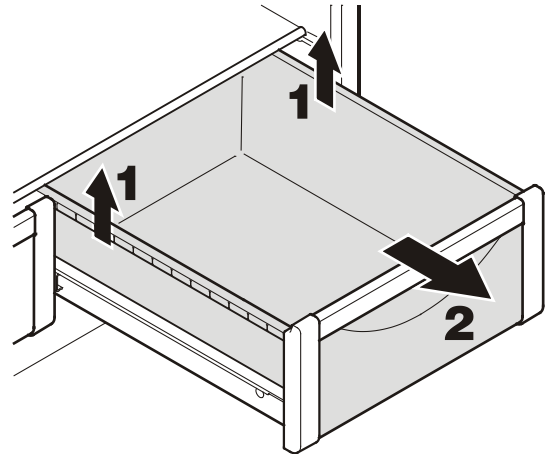


Figure 12

REFRIGERATOR COMPARTMENT

Repositioning the shelves - *Figure 13*

1. Hold the shelf underneath with your hand to avoid from tipping down backwards when removing.
2. Lift the shelf at the front.
3. Remove the shelf forward until the circular cutout of the shelf is in line with the interior light cover.
4. Lift the shelf up or down and replace in the desired position.

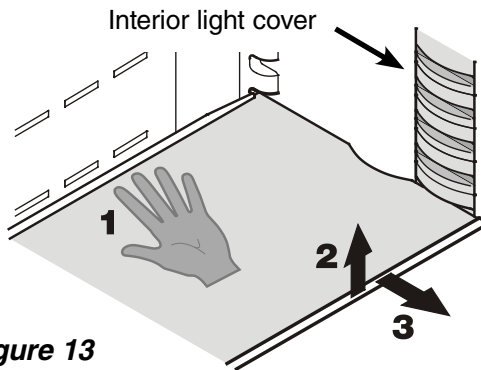


Figure 13

Removing the shelves - *Figure 14*

1. Follow the first three steps in the chapter above.
2. Lift the shelf down and stop just over the upper vegetable bin.
3. Move the front of the shelf upwards until the shelf is in a vertical position.
4. Turn the shelf out at left and remove.

WARNING

To avoid it falling down, always hold the shelf with both hands when removing.

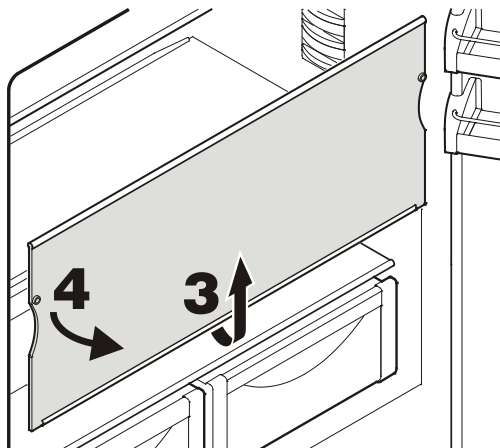


Figure 14

Interior Light

The interior light is located at the left, right and top in the refrigerator compartment (**Figure 15**) and above each drawer in the freezer compartment. It turns on if one of the doors or one freezer drawer is opened.

The light turns off automatically if one of the doors or one freezer drawer has been opened for approximately 15 minutes. The audible alarm sounds at the same time.

The light intensity of the LED light corresponds to laser class 1/1M.

IMPORTANT

The light cover may only be removed by customer service staff.

CAUTION!

Risk of eye damage.

If the cover is removed, do not look directly at the light through optical lenses from a close distance.

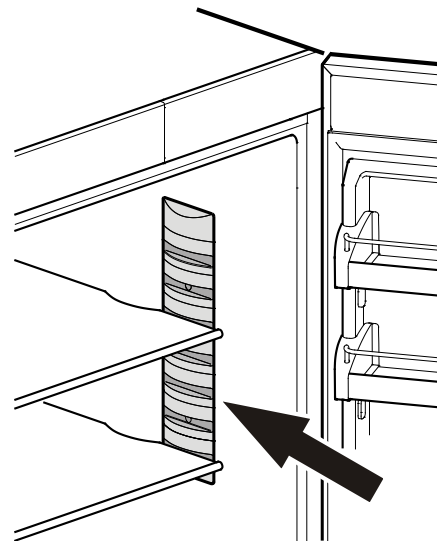


Figure 15

FREEZER COMPARTMENT

Freezer Compartment Description

The ice maker is located in the upper drawer on the left side.

The ice cubes fall out of the ice maker into the drawer.

The upper drawer is divided by a partition wall for storing ice cubes in the left part of the drawer (**Figure 16**).

If you need more ice cube storage space, pull up the partition wall and refit on the adjacent rail (**Figure 16**).

If you need the whole drawer for ice cube storage, the partition can be removed by pulling it upwards and out.

If you need the whole upper drawer for freezing and storing food, turn off the ice maker (see chapter "Turning the Ice Maker On and Off").

The bottom drawer is intended for freezing and storing food. Ice cubes can also be stored in this drawer.

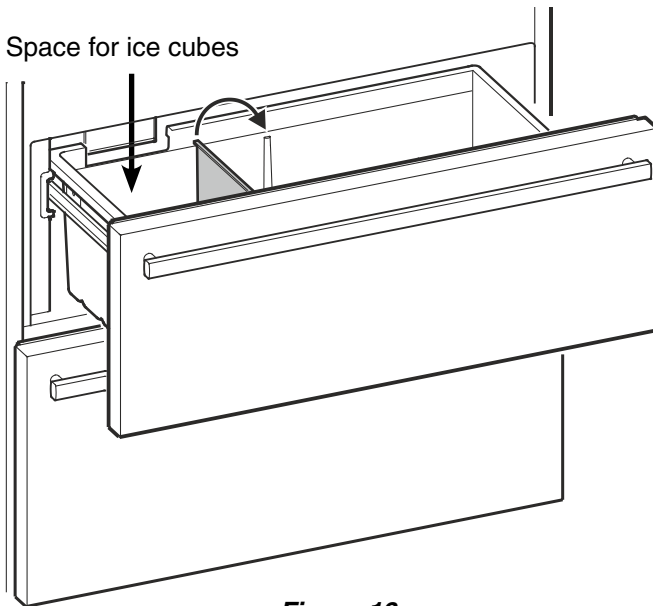


Figure 16

Removing the Freezer Compartment Containers

The containers of both freezer drawers can be removed.

- Unlatch the container on the left and right corners by pulling upwards (1) - **Figure 17**.
- Slide the container backwards (2) - **Figure 17**.

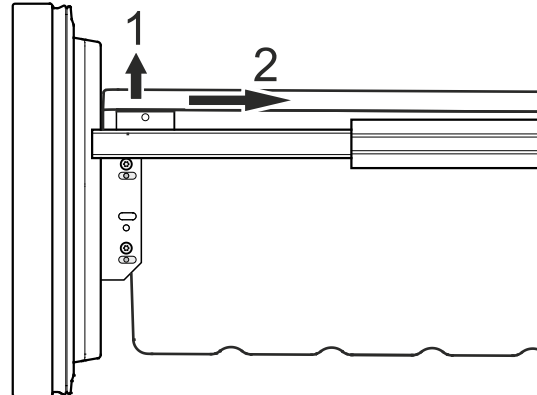


Figure 17

- Tilt the container at an angle and remove - **Figure 18**.

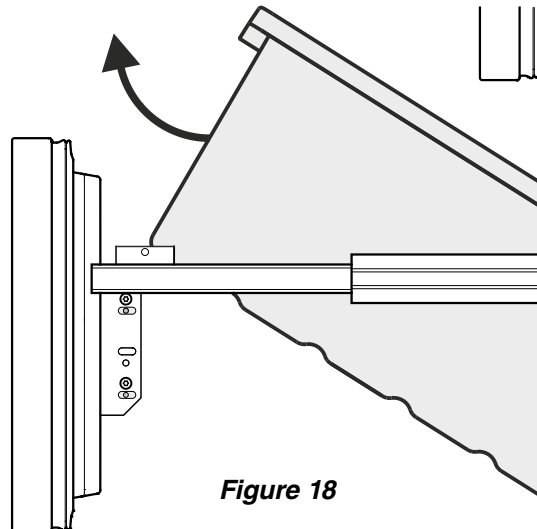


Figure 18

Install the container in the reverse order.

FREEZER COMPARTMENT

Freezing

Fresh food should be frozen completely and as rapidly as possible. This is provided by the Superfrost feature and ensures that the nutritional value, appearance and flavor of the food remains intact.

Freezing with Superfrost - Figure 19

- Touch the Superfrost icon briefly so the LED ** turns on.
- Wait 24 hours.
- Then place the fresh food inside the freezer.
- The Superfrost function turns off automatically. Depending on the quantity of food placed in the freezer, this will normally be between 30 and maximum of 65 hours.

The freezing process is now complete; the Superfrost LED ** will turn off, and the freezer will change back to normal energy-saving operation.

IMPORTANT

You should not turn on the Superfrost function:

- when placing frozen food in the freezer;
- when freezing up to approximately 4-1/2 lbs (2 kg) fresh food daily.

Freezing and Storage

- Pack frozen food in standard freezer bags or reusable plastic, metal or aluminum containers.
- Do not allow fresh food which is to be frozen to come into contact with food already frozen. Always keep packages dry in order to avoid them sticking together.
- Always write the date and contents on the package and do not exceed the stated storage time for the food. This prevents spoiling.
- Pack food which you are freezing yourself in quantities right for your household. To ensure the food freezes right through quickly, the following quantities should not be exceeded per package:
 - fruit, vegetables: up to 2-1/4 lbs (1 kg);
 - meat: up to 5-1/2 lbs (2.5 kg).
- Do not freeze bottles and cans which contain carbonated drinks as they might burst. Drinks can be cooled down quickly, but take the bottles out of the freezer compartment after an hour at the most.
- Only take out as much food as needed for thawing. Cook food which has been thawed as quickly as possible. Frozen food can be thawed in the following ways:
 - in a microwave oven
 - in the refrigerator: the safer way to thaw food because there is less chance of bacteria growth. Use this method for high density food such as roasts or poultry.

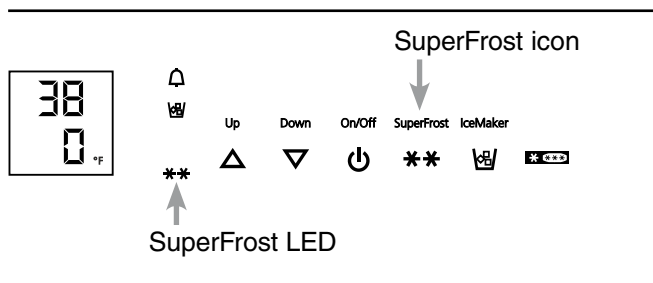


Figure 19

ICEMAKER

Safety Instructions and Warnings for the Automatic Ice Maker

- The ice maker is designed exclusively to make ice cubes in quantities needed by a household.
- All repairs and work on the ice maker may only be done by customer service personnel or other appropriately trained personnel.
- **Do not consume or use the first three batches of ice. This applies both to using the appliance for the first time and also using it after it has not been used for a long period of time.**
- **The manufacturer cannot accept liability for damage caused by equipment or water lines between the solenoid valve and the water supply.**
- The ice maker will only make ice cubes if the freezer compartment is operating and both freezer drawers are completely closed.

Turning the Ice Maker On and Off (Figure 20)

To turn the ice maker on

- Touch the **IceMaker** icon so the **IceMaker LED** comes on.

To turn the ice maker off

If you do not need any ice cubes, the ice maker can be turned off independently of the freezer compartment.

- Touch the **IceMaker** icon so the **IceMaker LED** goes out.

Ice maker at vacations

See chapter “Vacation tips”

Ice Maker Description

After you start the ice maker for the first time, it may take up to 24 hours before the first ice cubes are ready.

The ice cubes fall out of the ice maker into the drawer (see chapter “Freezer compartment description”).

IMPORTANT

The first three batches of ice must not be consumed or used.

When the ice reaches a certain level in the drawer, the appliance stops producing ice automatically.

The production capacity is 100 - 120 ice cubes in 24 hours at a temperature of 0°F (-18°C) inside the freezer compartment.

To have the maximum capacity of approx. 150 ice cubes in 24 hours, activate the SuperFrost function.

Be aware that this increases the energy consumption because the compressor will run constantly.

Note

If the IceMaker LED flashes, the ice maker is not being supplied with water. Check if the shut off valve of the water supply is opened.

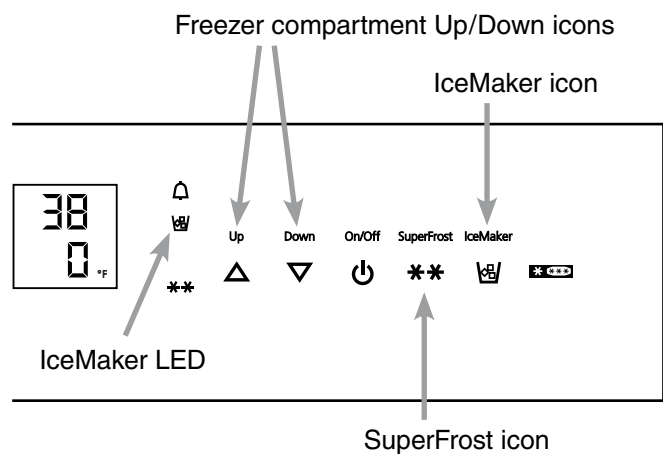


Figure 20

DEFROSTING/CLEANING

Defrosting

Refrigerator compartment

The refrigerator compartment defrosts automatically. The water that forms on the rear wall drains into a reservoir at the back of the appliance and evaporates automatically through the compressor heat.

Freezer compartment

The NoFrost system automatically defrosts the freezer compartment. Any moisture will collect on the evaporator and freeze. It will periodically defrost and evaporate.

Cleaning



WARNING!

- To prevent possible injury due to an electrical shock, be sure to disconnect the power cord or turn off the circuit breaker before cleaning the appliance.
- To avoid injury or damage, do not use steam cleaning equipment to clean the appliance.
- To avoid short-circuits, ensure no cleaning water penetrates into the electrical components when cleaning the appliance. Do not use a sponge or cloth that is overly wet.

Do not use abrasive or scouring sponges. **Do not** use concentrated cleaning agents. **Never** use abrasive or acid cleaners or chemical solvents.

- Remove all food from the refrigerator and freezer compartments and store in a cool place temporarily. Store frozen food in other freezers if available.
- Remove the door racks as shown in **Figure 21**.
- Remove vegetable drawers as shown in **Figure 14**.
- Remove glass shelves as shown in **Figure 16**.
- Remove the freezer drawer containers as shown in **Figure 17** and **Figure 18**.

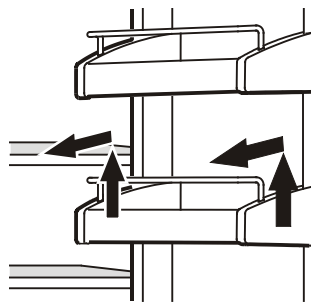


Figure 21

- A compound of lukewarm water and dishwasher detergent is recommended for cleaning the appliance and equipment parts.

IMPORTANT

Do not clean the equipment parts in a dishwasher. Strips of these parts could get loose.

- Dry all parts well with a cloth.
- **Do not** damage or remove the model plate on the inside of the appliance. It is very important for servicing your appliance.
- Install all equipment parts and replace the food in the appliance.
- Turn the appliance on.

Cleaning instructions for stainless steel panels

Keep your stainless steel looking new by cleaning with a good quality stainless steel cleaner or polish monthly. High quality stainless steel cleaners and conditioners are commercially available.

Do not clean with steel wool pads or abrasive pads. Do not use cleaners that are not for use on stainless steel, such as glass, tile or counter cleaners. These types of cleaners can damage the surface permanently.

CLEANING

Cleaning the Air Filter

- Open the bottom freezer drawer and unscrew the ventilation grille - **Figure 22**.

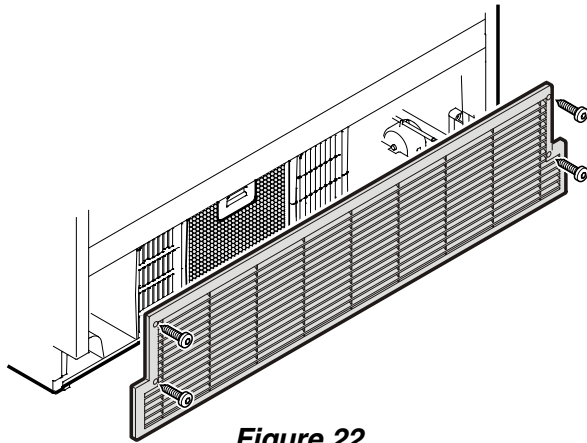


Figure 22

- Clean the filter in a dishwasher or by hand with luke-warm water and dishwasher detergent.
- Install the air filter in the reverse order.
- Install the ventilation grille.
- Install all equipment parts and replace the food in the appliance.
- Turn the appliance on.
- Reset the air filter LED.
Refer to chapter **Setup Mode** - **⏏** = Reset air filter LED

- Push down the button of the air filter, tilt to the front and remove - **Figure 23**.

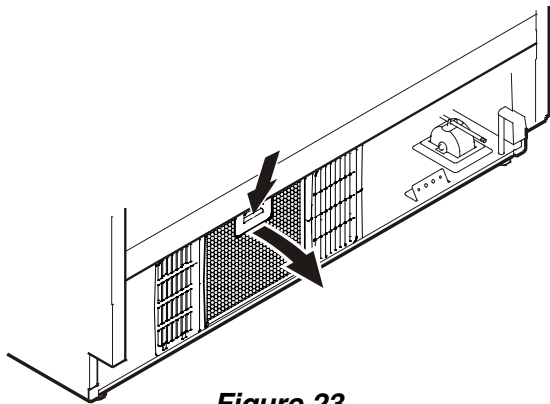


Figure 23

Vacation Tips (Figure 24)

Short vacations

It is not necessary to turn off the refrigerator and freezer if you will be away for less than four weeks.

- Shut off the water supply to the ice maker.
- > When the IceMaker LED starts blinking, the remaining water in the supply line is in the ice maker.
- Leave the ice maker on and working for one day so that the remaining ice cubes are ejected.
- Touch the IceMaker icon so that the IceMaker LED goes out.
- Transfer all ice cubes to the right part of the drawer or to the bottom drawer.
- Use all perishables.
- Freeze other items.

Long vacations

If you will be away for a month or more:

- Shut off the water supply to the ice maker.
- > When the IceMaker LED starts blinking, the remaining water in the supply line is in the ice maker.
- Leave the ice maker on and working for one day so that the remaining ice cubes are ejected.
- Touch the IceMaker icon so that the IceMaker LED goes out.
- Remove all ice cubes from the drawer and dispose of them.
- Remove all food from the refrigerator and freezer compartments.
- Turn off the refrigerator and freezer compartments.
- Clean the appliance. Refer to **Cleaning**.
- Leave the door and both freezer drawers open to prevent unpleasant odors. This will also keep mold from building up.

Turning on the ice maker after vacation

- Open the water supply to the ice maker.
- Touch the IceMaker icon so that the IceMaker LED comes on.

IMPORTANT

Do not consume or use the first three batches of ice after the ice maker has not been used for longer than one week.

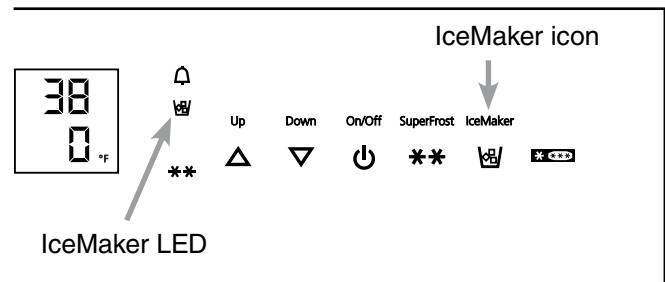


Figure 24

TROUBLESHOOTING

Troubleshooting

Your appliance is designed and manufactured for a long life and reliable operation.

If a problem occurs during operation, check whether it is due to an operating error. Please note that even during the warranty period, some repair costs may be your responsibility.

You may be able to correct the following faults by checking the possible causes yourself:

Problem	Possible Cause and Remedy
Appliance does not work, display is off	<ul style="list-style-type: none">- Is the appliance turned on properly?- Is the power cord properly inserted in the outlet?- Is the circuit breaker or fuse in operating condition?
The interior light does not come on	<ul style="list-style-type: none">- Is the appliance turned on?
Motor seems to run too long	<ul style="list-style-type: none">- Is the ambient temperature too hot? See Safety Regulations.- Has the appliance been opened too often or left open too long?- A large amount of food has been added.- Unit is in SuperCool mode. Verify unit is in normal operation mode.
The temperature is not cold enough	<ul style="list-style-type: none">- Is the temperature setting correct? See Setting The Temperature.- Has an excessive amount of fresh food been placed in the appliance?- Does a separately installed thermometer show the correct reading?- Is the ventilation system working properly?- Is the appliance set up too close to a heat source?
Freezer temperature display shows two dashes “- -”.	<p>The freezer temperature display will only show temperatures that are below freezing. When initially starting the freezer, it will not be below freezing. It will take three to five hours (depending on ambient conditions) for freezing temperatures to be achieved and thus displayed numerically.</p> <p>This may also occur after a power failure.</p>

TROUBLESHOOTING

Ice Maker Troubleshooting

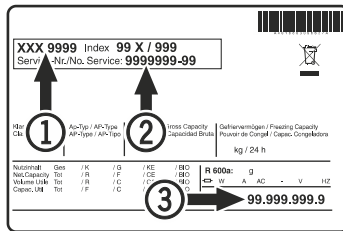
You may be able to correct the following faults yourself:

Problem	Possible Cause and Remedy
Ice maker cannot be turned on	- Is the appliance connected to the electrical outlet?
Ice maker is not making any ice	- Is the ice maker turned on? - Is the water supply line open? - Are both freezer drawers closed properly?

Customer Service

If none of the above possible causes apply, and you can not rectify the fault yourself, contact your nearest customer service representative.

Indicate the type (1) of appliance, service number (2) and the appliance / serial number (3) as indicated on the model plate.



The position of the model plate is shown in the section entitled **Description of the Appliance**.

Appliance Information

Record this information when the appliance is installed.

Type Designation: _____

Service Number: _____

Appliance / Serial Number: _____

Date of Purchase: _____

Where Purchased: _____

WARRANTY

LIEBHERR WARRANTY PLAN

FULL TWO YEAR WARRANTY

For two years from the date of original purchase, your Liebherr warranty covers all parts and labor to repair or replace any part of the product which proves to be defective in materials or workmanship.

FULL FIVE YEAR WARRANTY

For five years from the date of original purchase, your Liebherr warranty covers all parts and labor to repair or replace any components that prove to be defective in materials or workmanship in the sealed system. The “Sealed System” means only the compressor, condenser, evaporator, drier and all connecting tubing.

LIMITED 6TH THROUGH 12TH YEAR WARRANTY

From the 6th through 12th year from the date of original purchase, your Liebherr warranty covers all parts that prove to be defective in materials or workmanship in the Sealed System (parts only).

TERMS APPLICABLE TO EACH WARRANTY

All service provided by Liebherr under the warranty must be performed by authorized Liebherr service representatives, unless otherwise specified by Liebherr. Service will be provided in the home during normal business hours. This warranty applies only to products installed for normal residential use. Details regarding a non-residential warranty are available on request.

The warranty applies only to products installed in Canada and any one of the fifty states of the United States or the District of Columbia. This warranty does not cover any parts or labor to correct any defect caused by negligence, accident or improper use, maintenance, installation, service or repair, including but not limited to improper removal and reinstallation of the condensing unit.

THE WARRANTIES DESCRIBED ABOVE ARE MADE EXPRESSLY IN LIEU OF ANY OTHER WARRANTIES, EXPRESSED OR IMPLIED, INCLUDING ANY IMPLIED WARRANTY OF MERCHANTABILITY OR FITNESS FOR A PARTICULAR PURPOSE, AND OF ANY OTHER OBLIGATION OR LIABILITY ON THE PART OF LIEBHERR. IN NO EVENT SHALL LIEBHERR BE LIABLE FOR SPECIAL, INCIDENTAL OR CONSEQUENTIAL DAMAGES ARISING FROM THE BREACH OF THESE WARRANTIES OR ANY OTHER WARRANTIES, WHETHER EXPRESS, IMPLIED OR STATUTORY.

Some States do not allow the exclusion or limitation of incidental or consequential damages so the above limitation or exclusion may not apply to you. This warranty gives you specific legal rights and you may also have other rights which vary from State to State.

To receive parts and/or service and the name of the Liebherr authorized service representative nearest you, contact your Liebherr dealer or distributor or contact the Liebherr designated national service provider:

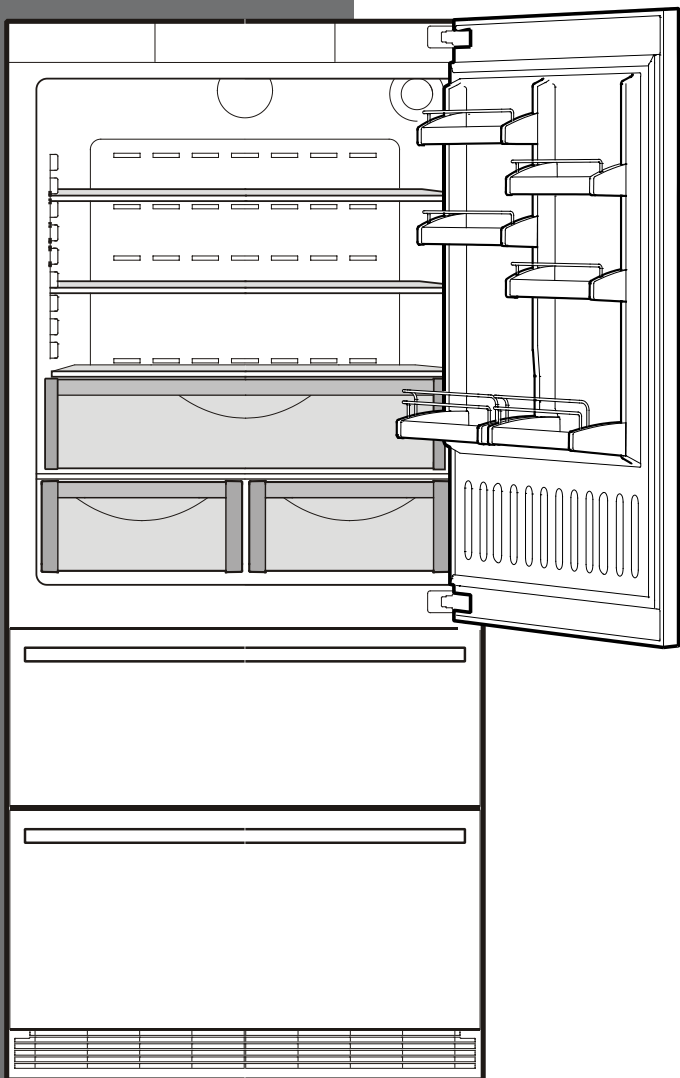
in the US: Service-appliances.us@liebherr.com, or call 1-866-LIEBHER or 1-866-543-2437

in Canada: www.euro-parts.ca, or call 1-888-LIEBHER, 1-888-543-2437.

LIEBHERR

Manuel d'utilisation et d'entretien

Pour les réfrigérateurs-
congélateurs NoFrost
avec IceMaker



CS 2060 / HC 2060
7084 351-00

Félicitations pour votre achat. Le fait d'avoir choisi cet appareil signifie que vous souhaitez profiter de tous les avantages de la technologie d'avant-garde de réfrigération, qui vous garantit une qualité supérieure, une longue vie de votre appareil et une excellente fiabilité.

Les caractéristiques de votre appareil ont été conçues pour vous faciliter la vie - en tout temps.

Cet appareil a été fabriqué avec des matériaux recyclables, avec un processus sans risque pour l'environnement et ensemble nous contribuons activement à la préservation de notre environnement.

Pour vous familiariser avec tous les avantages de votre nouvel appareil, veuillez lire consciencieusement l'information dans ces instructions d'utilisation.

Nous sommes certains que vous serez satisfait de votre nouvel appareil.

Avantages supplémentaires

- Sans CFC
- Circuit réfrigérant optimisé par l'énergie
- Isolation efficace sur le plan énergétique
- Basse consommation d'énergie
- Commandes électroniques faciles à utiliser
- Affichage des fonctions en marche
- La température peut être contrôlée dans une certaine gamme de température, quelle que soit la température ambiante
- Les compartiments réfrigérateur et congélateur se dégivrent automatiquement - aucun besoin de passer du temps à dégivrer
- Grande capacité nette du réfrigérateur
- Fonctions variables et pratiques
- Étagères de rangement en verre trempé
- Grande capacité nette du congélateur
- Fabrique à glaçons automatique
- Filtre à eau pour garantir la bonne qualité de l'eau lors de la fabrication des glaçons
- Alarme d'augmentation de la température du congélateur
- Alarme de porte ouverte sonore
- Écran Panne de courant/FrostControl
- Les aliments frais peuvent être congelés rapidement si besoin est
- Tous les tiroirs sont adaptés à la congélation rapide
- Poignées de transport intégrées sur le boîtier de l'appareil
- Roulettes de transport
- Facile à nettoyer
- Cet appareil est certifié conforme aux normes de l'organisation Star-K pour le Sabbat. Il peut donc être utilisé durant les fêtes religieuses. Pour plus d'informations, veuillez consulter le site Star-K sur Internet : www.star-k.org.

TABLE DES MATIÈRES

Table des matières	Page
Mise au rebut de votre appareil usagé.....	30
Évacuation de cet appareil.....	30
Mise au rebut du carton.....	30
Réfrigérant R600a.....	30
Mise en place.....	30
Importante information sur la sécurité.....	31
La sécurité et l'électricité.....	32
Contraintes de sécurité.....	32
Filtre à eau.....	33
Installation du filtre à eau.....	33
Oter le filtre à eau.....	33
Description de l'appareil et de ses aménagements..	34
Éléments de fonctionnement et de contrôle.....	35
Mise en marche et arrêt de l'appareil.....	36
Mode Configuration.....	38
Disposer les aliments.....	42
Installation des étagères.....	42
Éclairage intérieur.....	43
Description du compartiment congélateur.....	44
Retirer les récipients du compartiment congélateur...	44
Congélation.....	45
Congeler avec Superfrost.....	45
Congélation et rangement.....	45
Recommandations et consignes de sécurité relatives à l'utilisation de la fabrique à glaçons automatique....	46
Mise en marche et arrêt de la fabrique à glaçons.....	46
Description de la fabrique à glaçons.....	46
Dégivrage.....	47
Nettoyage.....	47
Nettoyage du filtre à air.....	48
Conseils pour les périodes de vacances.....	49
Recherche des pannes.....	50
Recherche des pannes sur la fabrique à glaçons.....	51
Service clientèle.....	51
Information de l'appareil.....	51
Garantie Liebherr.....	52

Veillez lire et suivre ces instructions

Ce manuel d'instructions contient des dangers des avertissements et des précautions.

Ces informations sont importantes afin de garantir une installation et un fonctionnement sûrs et efficaces.

Toujours lire et respecter les dangers, les avertissements et les précautions !



DANGER !

Indique un danger qui provoquera des blessures graves, voire la mort, si les précautions ne sont pas respectées.



AVERTISSEMENT !

Un avertissement indique une situation potentiellement dangereuse qui, si elle n'est pas évitée, pourrait entraîner la mort ou de graves blessures.



ATTENTION !

Une attention indique une situation potentiellement dangereuse qui, si elle n'est pas évitée, pourrait entraîner des blessures modérées ou mineures.

IMPORTANT

Ceci souligne l'information spécialement pertinente à une installation et un fonctionnement sans problème.

California Proposition 65

Ce produit contient des produits chimiques reconnus par l'état de la Californie comme causant le cancer ou des troubles reproductifs.

IMPORTANT

Tous les types et modèles sont sujets à des améliorations permanentes. Le fabricant se réserve le droit d'apporter toute modification dans le design, l'équipement et la technologie.

SÉCURITÉ

Mise au rebut de votre appareil usagé



DANGER!

Un enfant risque de s'y trouver enfermé.

L'emprisonnement et l'étouffement des enfants ne sont pas un problème du passé.

Les réfrigérateurs jetés ou abandonnés sont encore dangereux, même s'ils sont laissés abandonnés pendant "quelques jours seulement".

Si vous vous débarrassez de votre vieux réfrigérateur, veuillez suivre les instructions suivantes pour aider à éviter les accidents.

Avant la mise au rebut d'appareils usagés :

- Enlevez les portes.
- Laissez les étagères en place afin qu'aucun enfant ne puisse grimper à l'intérieur.
- Coupez le câble d'alimentation de l'appareil mis au rebut. Jetez-le à part.
- Veillez à vous conformer aux exigences locales de mise au rebut des appareils.

Contactez votre entreprise locale de ramassage des ordures pour obtenir de plus amples renseignements.

Évacuation de cet appareil

Cet appareil contient des gaz inflammables à l'intérieur de son circuit de réfrigération et dans les mousses isolantes.

Contactez la municipalité ou la société responsable de l'évacuation dans votre région pour des renseignements sur la manière approuvée d'évacuer ou de recycler cet appareil.

Mise au rebut du carton

L'emballage est destiné à protéger l'appareil et les composants individuels pendant le transport ; il est fabriqué à partir de matériaux recyclés.



AVERTISSEMENT !

**Tenez l'emballage à l'écart des enfants.
Les feuilles et les sacs de polythène peuvent provoquer une suffocation !**

Veuillez disposer des matériaux d'emballage si des installations de recyclage sont disponibles.

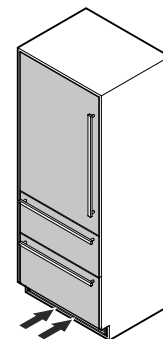
Réfrigérant R600a



AVERTISSEMENT !

Le fluide réfrigérant R600a contenu dans l'appareil ne présente aucun danger pour l'environnement mais est inflammable. En cas de fuite, le fluide réfrigérant risque de s'enflammer.

Pour prévenir toute inflammation, tenir compte des avertissements suivants :



- Les prises d'air de l'enceinte de l'appareil ou de la structure encastré doivent être dégagées en tout temps.
- Ne pas utiliser d'appareils mécaniques ou autres moyens pour accélérer le dégivrage que ceux recommandés par le fabricant.
- Ne pas endommager le circuit de frigorigène.
- Toute réparation et tout travail effectué sur l'appareil doit être confié au service clientèle.
- Ne pas utiliser d'appareils électriques à l'intérieur du compartiment de conservation des aliments de cet appareil, sauf s'ils sont du type recommandé par le fabricant.

Mise en place

Évitez d'installer l'appareil à un endroit directement exposé aux rayons du soleil, près d'un four, d'une cuisinière, d'un chauffage ou de tout autre appareil chauffant.

Dès que l'appareil est déballé :

- Examinez l'appareil et l'emballage pour repérer les dommages qui auraient pu être causés au cours du transport. Contactez immédiatement le transporteur si vous suspectez quelques dommages que ce soit.
- Notez le type (numéro de modèle), le numéro de service, le numéro de série, la date et le lieu d'achat dans les espaces prévus à cet effet au dos de ce manuel.

Importante information sur la sécurité

- Pour éviter tout risque de blessure ou d'endommager l'appareil, il est recommandé que deux personnes déballent l'appareil et le mettent en place.
- En cas de détérioration de l'appareil, contacter immédiatement le fournisseur avant même de brancher l'appareil.
- Pour garantir la sécurité de fonctionnement de l'appareil, respecter scrupuleusement les instructions de la notice concernant la mise en place et le raccordement électrique.
- En cas de panne, mettre l'appareil hors service en le débranchant et en déclenchant ou dévissant le fusible.
- Débrancher l'appareil en tirant sur la fiche et non pas sur le câble.
- Afin d'éviter tout risque pour les utilisateurs de l'appareil, les réparations et interventions ne doivent être effectuées que par un Service Après Vente agréé. Cette consigne s'applique également au remplacement du câble d'alimentation.
- Ne pas consommer la glace alimentaire, notamment la glace à l'eau et les glaçons, à la sortie du compartiment congélateur, afin d'éviter tout risque de brûlures pouvant être provoquées par les températures très basses.
- Pour éviter tout risque d'intoxication alimentaire, ne pas consommer des aliments stockés au-delà de leur date limite de conservation.
- Ne pas conserver de matières explosives ni de produits en bombe à gaz propulseur inflammable (butane, propane, pentane, etc.) dans votre appareil. En cas de fuite éventuelle, ces gaz risquent en effet de s'enflammer au contact d'éléments électriques de votre appareil. Les produits en bombe concernés sont identifiés par l'étiquette indiquant leur composition ou un symbole représentant une flamme.
- Ne pas laisser les enfants jouer avec cet appareil. Les enfants ne doivent ni grimper, s'asseoir ou se mettre debout sur les étagères, les tiroirs et les portes.
- Pour éviter toute blessure éventuelle due à une électrocution, veiller à débrancher le cordon d'alimentation ou déclencher le disjoncteur avant de nettoyer l'appareil.
- Afin d'éviter toute blessure ou d'abîmer l'appareil, ne pas utiliser d'appareils de nettoyage à vapeur pour nettoyer l'appareil.
- Ne pas utiliser l'appareil en présence de fumées explosives.
- Dans le cas d'une panne de courant, réduire l'ouverture de la ou des porte(s) de l'appareil. Protéger les aliments en plaçant de la glace carbonique sur les paquets ou en utilisant un autre casier pour denrées congelées si la panne de courant est de longue durée. Ne pas essayer de recongeler des aliments congelés déjà dé-congelés.

SÉCURITÉ

La sécurité et l'électricité

Connecter cet appareil à un circuit 15 ou 20 A, 110-120 V CA, qui est mis à la terre et protégé par un disjoncteur ou un fusible.

Nous recommandons d'utiliser un circuit dédié à cet appareil pour prévenir une surcharge du circuit et l'interruption de son fonctionnement.

Cet appareil est équipé d'une fiche à 3 broches polarisée (avec mise électrique à la terre) pour vous protéger contre les risques d'électrocution éventuels.

Si la prise murale est du type à deux broches, demander à un électricien qualifié de la remplacer par une prise à trois broches conforme aux normes électriques en vigueur.



AVERTISSEMENT !

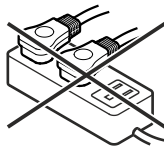
Risque d'électrocution.

Mise électrique à la terre requise.

- Ne pas enlever la broche ronde de mise à la terre de la fiche. →
- Ne pas utiliser de rallonge électrique ou d'adaptateur sans mise à la terre (deux broches).
- Ne pas utiliser de cordon d'alimentation effiloché ou endommagé.



- Ne pas utiliser de barre multiprise. →



Ne pas suivre ces instructions pourrait provoquer un incendie, une électrocution ou la mort.

Contraintes de sécurité

L'appareil est conçu pour refroidir, congeler et stocker des aliments et pour faire des glaçons. Il est conçu afin de fonctionner en tant qu'appareil ménager.

IMPORTANT

L'appareil n'est pas conçu pour un usage extérieur.

L'appareil est réglé pour fonctionner dans des limites de température ambiante spécifiques en fonction du climat.

La classe climatique indique la température ambiante à laquelle l'appareil doit être utilisé pour atteindre la performance frigorifique maximale.

Classe climatique

SN-T

Température ambiante

50 à 109 °F (10 à 43 °C)

IMPORTANT

Ne pas utiliser l'appareil en dehors de la plage de température indiquée.

- Le circuit de réfrigération a été testé pour les fuites.
- L'appareil respecte les normes de sécurité courantes

CAN/CSA C22.2 No.60335-1-11

UL 60335-1 cinquième édition

CAN/CSA C22.2 No.60335-2-24-06

UL 60335-2-24 première édition

Nous vous recommandons de nettoyer l'appareil avant de le mettre en service. Voir **Nettoyage**.

Laissez fonctionner l'appareil pendant plusieurs heures avant de le remplir.

Ne pas remplir l'appareil avec des aliments congelés tant que la température n'est pas à 0°F (-18°C) environ.



AVERTISSEMENT !

Ne laissez pas les enfants jouer avec cet appareil. Les enfants ne doivent pas grimper, s'asseoir ou se mettre debout sur les étagères ou la porte.

Ne pas suivre ces instructions pourrait provoquer la mort ou des blessures graves.

Filtre à eau - Figure 1

Avant de mettre en marche l'appareil, installer le filtre à eau fourni dans la paroi arrière intérieure du compartiment réfrigérateur afin de garantir la bonne qualité des glaçons et d'éviter que des solides tels que le sable ne s'introduisent dans le circuit d'eau.

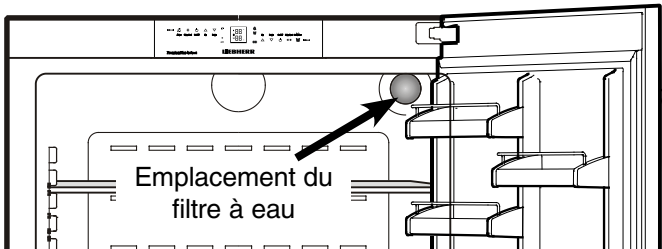
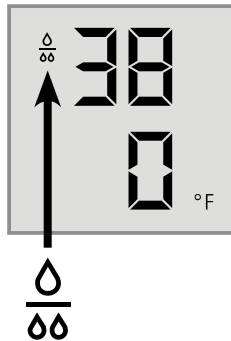


Figure 1

Remplacer le filtre lorsque le symbole représentant une goutte apparaît sur l'écran de température.

Vous pouvez vous procurer les filtres auprès du concessionnaire ou distributeur Liebherr.



⚠ AVERTISSEMENT

Afin d'éviter le risque de prolifération bactérienne, le filtre à eau doit être changé lorsque le symbole représentant une goutte d'eau apparaît sur l'écran !

REMARQUE IMPORTANTE

Il n'est pas nécessaire de fermer l'arrivée d'eau lors du retrait ou de la pose du filtre à eau.

Installation du filtre à eau - Figure 2, Figure 3

1. Oter le cache de la prise du filtre.

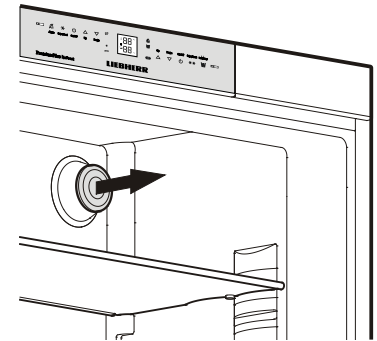


Figure 2

2. Insérer le filtre et le tourner à 90° dans le sens des aiguilles d'une montre.

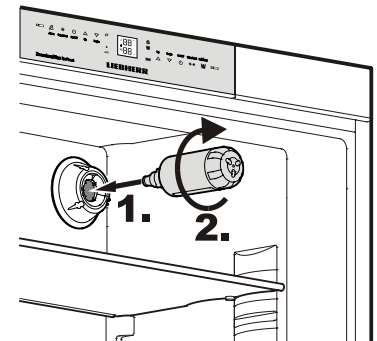


Figure 3

Oter le filtre à eau - Figure 4

3. Tourner le filtre à 90° dans le sens inverse des aiguilles d'une montre et le retirer.

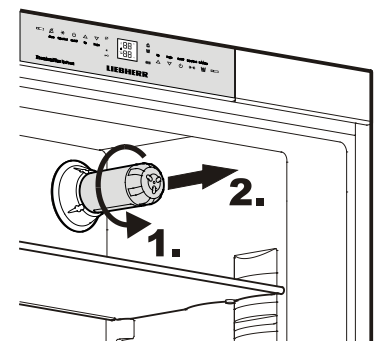
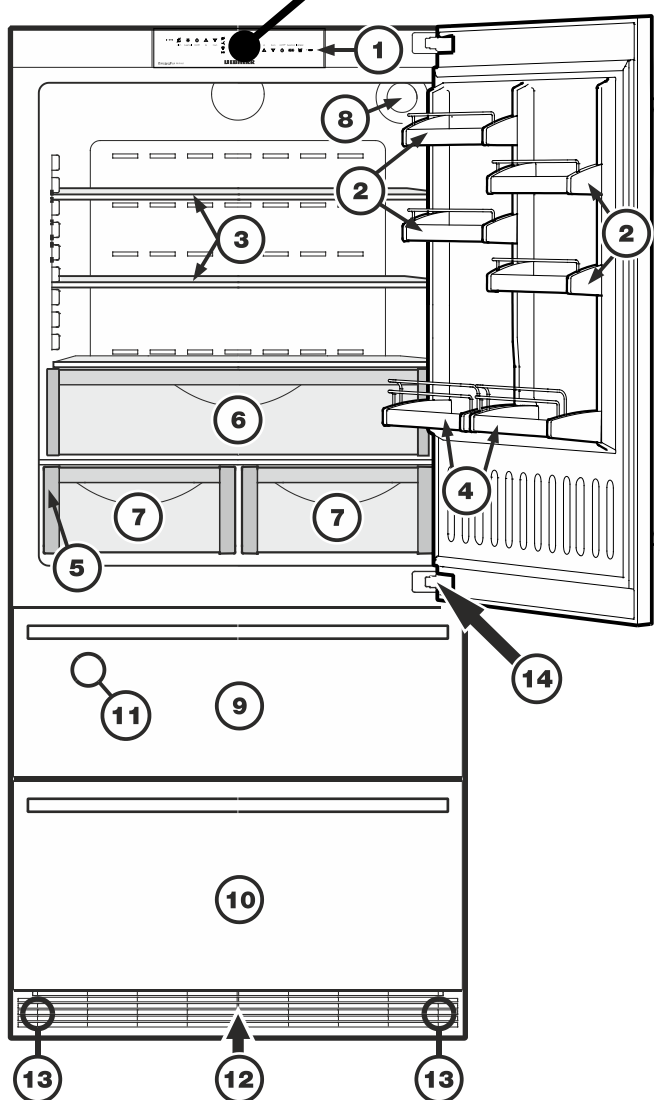
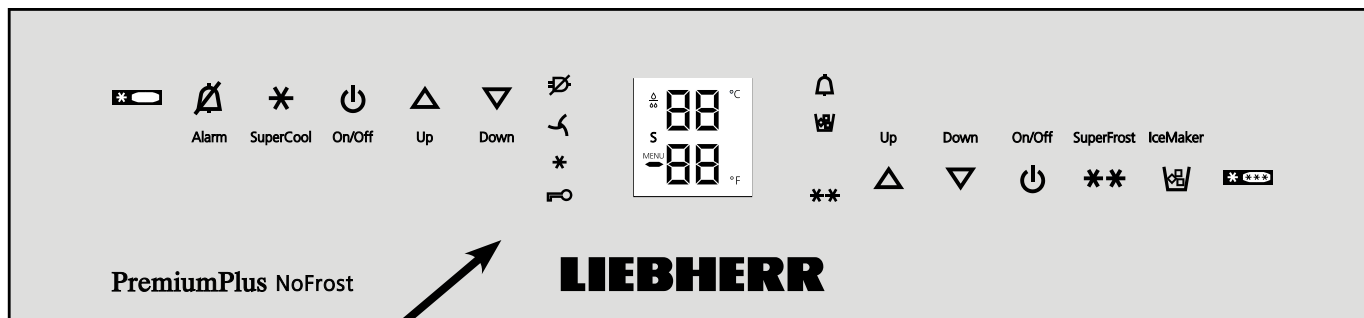


Figure 4

CARACTÉRISTIQUES

Description de l'appareil et de ses aménagements - Figure 5



Description du réfrigérateur

- (1) Éléments de commande et de contrôle
- (2) Balconnets de porte ajustables
- (3) Étagères réglables
- (4) Balconnet maxi-bouteilles
- (5) Plaque de modèle (derrière le tiroir à légumes, côté gauche)
- (6) Tiroir
- (7) Tiroirs à légumes
- (8) Filtre à eau

Description du congélateur


- (9) Tiroir supérieur du congélateur
- (10) Tiroir inférieur du congélateur
- (11) Fabrique à glaçons (à l'intérieur du tiroir supérieur du congélateur)
- (12) Grille de ventilation
- (13) Unité de réglage de la hauteur (derrière la grille de ventilation)
- (14) Charnière inférieure

Figure 5

CARACTÉRISTIQUES

Éléments de fonctionnement et de contrôle - Figure 6, Figure 7

Le bandeau de commande électronique dispose de la nouvelle « **Technologie de touche capacitive** ». Chaque fonction peut être activée d'une simple pression du doigt sur les icônes de commande.

Le point de contact précis se trouve entre le symbole et l'inscription  On/Off

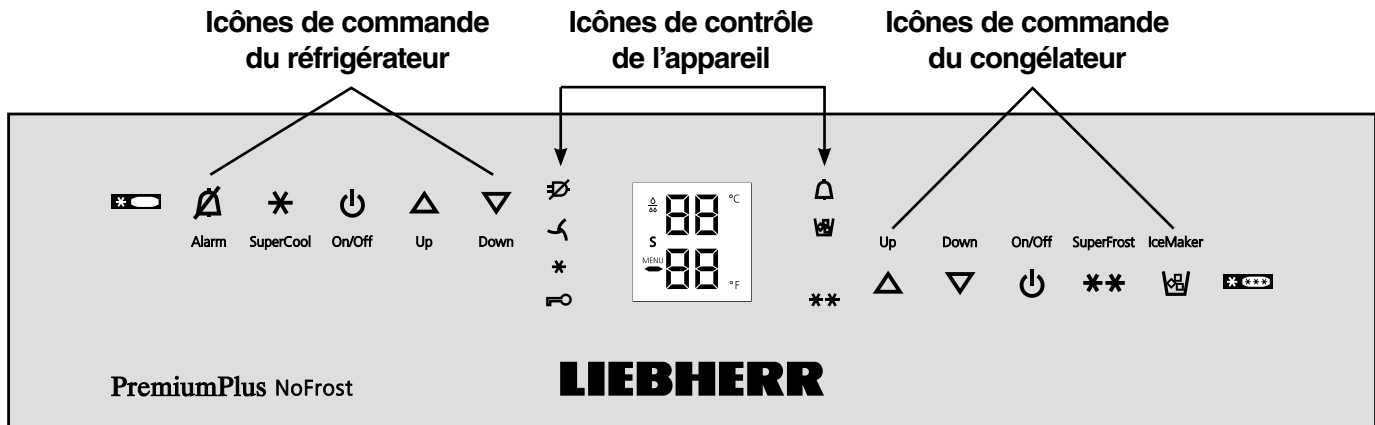










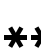
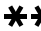







Figure 6

Icônes de commande du réfrigérateur	Icônes de contrôle de l'appareil	Icônes de commande du congélateur
<ul style="list-style-type: none">  Alarme désactivée (réfrigérateur et congélateur)  Supercool  Réfrigérateur On/Off  Commande de la température Up (pour augmenter la température du réfrigérateur)  Commande de la température Down (pour réduire la température du réfrigérateur) 	<ul style="list-style-type: none">  DEL Panne de courant  DEL Filtre à air Lorsque cette DEL s'allume, cela signifie que le filtre à air de la plinthe coup de pied doit être nettoyé.  DEL Supercool  DEL Sécurité enfants  DEL Alarme  DEL Fabrique à glaçons on  DEL Superfrost 	<ul style="list-style-type: none">  Commande de la température Up (pour augmenter la température du congélateur)  Commande de la température Down (pour réduire la température du congélateur)  Congélateur On/Off  Superfrost  Fabrique à glaçons On/Off

Ecran de température et de contrôle

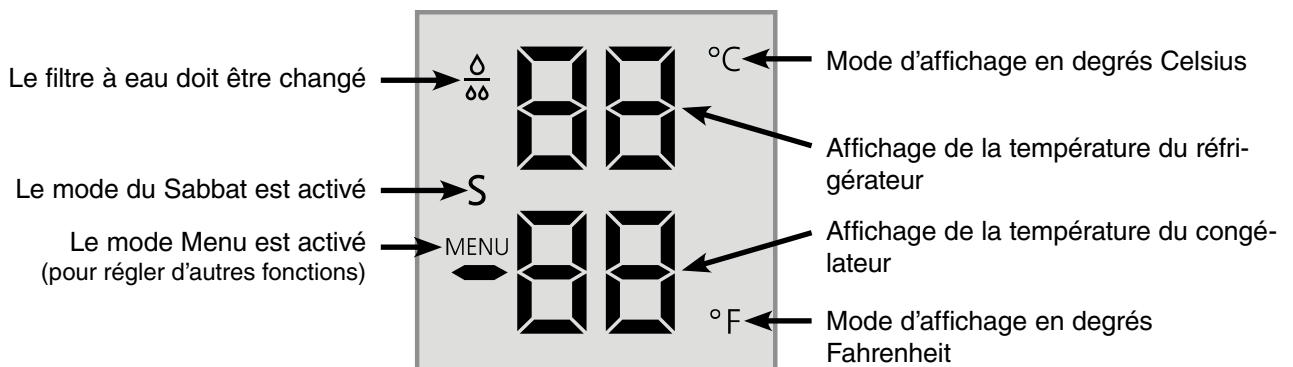


Figure 7

UTILISATION

Mise en marche et arrêt de l'appareil - Figure 8

Nettoyer l'appareil avant de le mettre en marche pour la première fois. Voir **Nettoyage**.

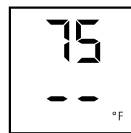
Ne remplissez pas le compartiment congélateur avec des aliments congelés tant que la température n'est pas au moins à 0°F / -18°C. Le réfrigérateur et le congélateur peuvent fonctionner indépendamment l'un de l'autre.

1. Mettre en MARCHÉ :

Appuyer sur l'icône On/Off du réfrigérateur

et l'icône On/Off du congélateur

pour que les écrans de température s'allument.



L'éclairage intérieur s'allume si l'une des portes du réfrigérateur ou l'un des tiroirs du congélateur est ouvert.

2. **ARRÊT** : pour mettre le réfrigérateur ou le congélateur à l'arrêt, appuyer sur l'icône On/Off correspondante pendant environ 3 secondes jusqu'à ce que l'affichage de température et les éclairages intérieurs s'éteignent.

Réglage de la température - Figure 8

L'appareil est pré-réglé pour un fonctionnement normal. Nous recommandons les températures de 38°F (3°C) dans le réfrigérateur et de 0°F (-18°C) dans le congélateur.

Pour diminuer la température :

Appuyer sur l'icône DOWN à gauche pour réduire la température du réfrigérateur et sur l'icône DOWN à droite pour réduire la température du congélateur.

Pour augmenter la température :

Appuyez sur l'icône UP à gauche pour augmenter la température du réfrigérateur et à droite pour augmenter la température du congélateur.

1. Lorsque vous entrez la température, **la température réglée clignote** sur l'écran.
2. Lorsque vous appuyez sur les icônes de réglage de température pour la première fois, le réglage le plus récent s'affiche.
3. Vous pouvez modifier les réglages par paliers de 1°F (1°C) en appuyant brièvement sur les icônes. Si vous maintenez la touche appuyée, le réglage de la température changera plus rapidement.
4. Environ cinq secondes après que la touche est relâchée, l'écran affiche automatiquement la température de congélation ou de réfrigération actuelle.
5. Il est possible de changer les températures :
 - **Dans le réfrigérateur** entre 36°F et 44°F (2°C et 6°C) et
 - **Dans le congélateur** entre -15°F et 7°F (-27°C et -14°C).

Icônes de commande de température - réfrigérateur

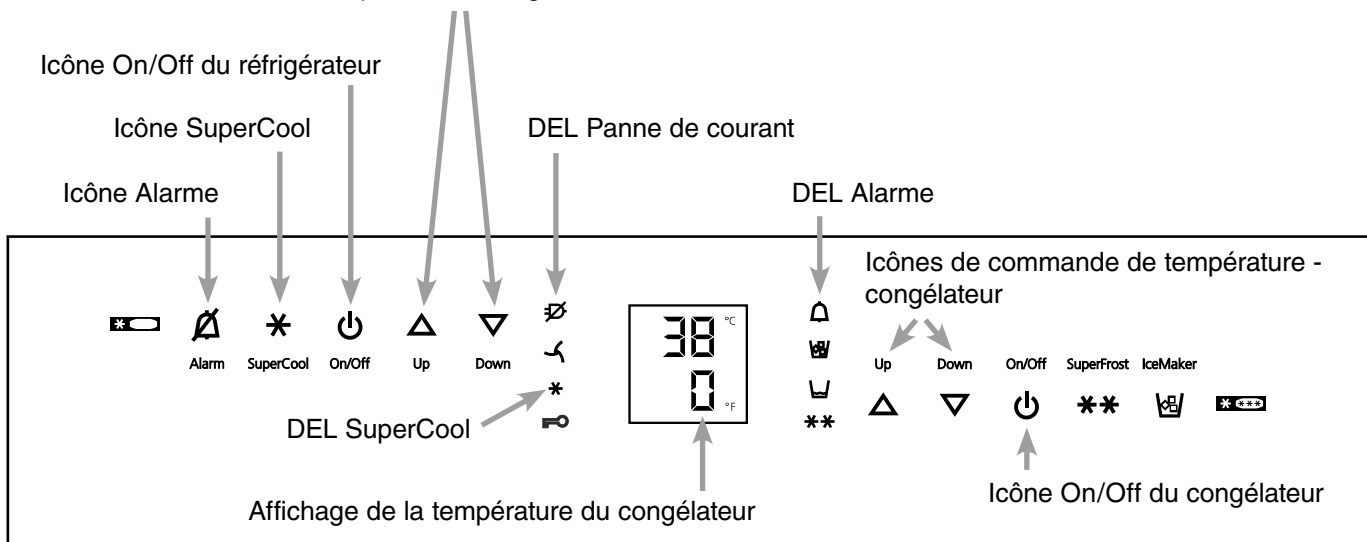


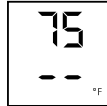
Figure 8

Affichage de température - Figure 8

Pendant le fonctionnement normal, les réglages suivants seront affichés :

- la température moyenne du réfrigérateur,
- la température des aliments surgelés la plus chaude.

Lorsqu'il est mis en service pour la première fois ou lorsque l'appareil est chaud, des tirets apparaissent sur l'écran de température du congélateur jusqu'à ce que la température atteigne 32°F (0°C) dans le compartiment congélateur.




Il faut entre trois et huit heures pour que la température requise, 0°F ou 38°F (-18°C ou 3°C), soit atteinte et affichée en permanence sur l'écran, selon les conditions ambiantes et le réglage de température.

L'écran clignote :

- si vous modifiez la température ou
- si la température s'élève de plusieurs degrés, indiquant la perte de froid, c.-à-d. si on place des aliments frais, « *chauds* » dans le congélateur ou si on enlève ou reconditionne des aliments surgelés, la température risque de s'élever pendant une courte durée en raison de l'air chaud qui entre dans le congélateur.
- Si « F1 » à « F5 » apparaît à l'écran, l'appareil est défectueux. Adressez-vous alors à votre service à la clientèle, en indiquant l'affichage que vous avez observé.

Écran Panne de courant/ FrostControl - Figure 8

Si la DEL Panne de courant  s'allume, cela signifie que la température du congélateur a **trop** augmenté durant les dernières heures ou les derniers jours en raison d'une panne de courant. L'affichage de température du congélateur clignote simultanément.

- Si vous appuyez maintenant sur l'icône **Alarme**, la température la plus élevée enregistrée pendant la panne de courant s'affiche.
- Vérifier la qualité des aliments au cas où ils se seraient réchauffés ou même décongelés.
- La température la plus élevée s'affiche pendant une minute approximativement. Ensuite, la température actuelle du congélateur s'affiche à nouveau. Il est possible d'éteindre l'affichage en appuyant plusieurs fois sur l'icône Alarme.

Alarme sonore - Figure 8


L'alarme sonore permet de protéger les aliments surgelés et d'économiser de l'énergie.

Le signal de l'alarme sonore s'éteint en appuyant sur l'icône Alarme.

Alarme porte ouverte

Cette alarme retentit toujours si la porte est restée ouverte plus de 180 s environ. Vous pouvez l'éteindre tant que la porte est ouverte. En refermant la porte, vous réactivez la fonction d'alarme.

Alarme élévation de température

L'alarme sonore retentit toujours lorsque la température du congélateur n'est pas assez basse. *L'affichage de la température et la DEL Alarme  clignotent* simultanément.

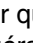
Causes possibles :

- des produits frais ont été introduits dans le congélateur alors qu'ils étaient encore chauds,
- une quantité excessive d'air chaud ambiant s'est introduite dans le congélateur pendant que vous rangiez ou sortiez vos produits.
- une panne dans l'appareil.

L'affichage de la température *clignotera* tant que l'incident détecté par l'alarme ne sera pas éliminé. L'affichage arrêtera ensuite de clignoter et sera permanent, *réactivant* automatiquement la fonction d'alarme sonore.

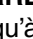
Supercool - Figure 8

En appuyant sur l'icône Supercool, le compartiment réfrigérateur passe en refroidissement maximal. Il est recommandé, surtout si on souhaite refroidir rapidement une quantité importante d'aliments, de boissons, d'aliments qui viennent d'être cuits ou de repas.

- **Mettre en MARCHÉ** : appuyer brièvement sur l'icône Supercool pour que la DEL  s'allume. La température du réfrigérateur descend à sa valeur la plus basse.

IMPORTANT

La fonction Supercool consomme légèrement plus d'énergie. Toutefois, après environ six heures, le réfrigérateur revient automatiquement en fonctionnement normal qui consomme un minimum d'énergie. Si besoin est, il est possible d'arrêter la fonction Supercool plus tôt.

- **Mettre sur ARRÊT** : appuyer de nouveau sur l'icône Supercool jusqu'à ce que la DEL  soit éteinte.

UTILISATION

Mode Configuration - Figure 9

En mode Configuration, vous pouvez activer les fonctions suivantes :

☰ = Mode du Sabbat

☒ = Sécurité enfants

☒ = Remise à zéro de l'icône Gouttes

☒ = Test fonctionnel de la fabrique à glaçons (pour le personnel d'entretien seulement)

☒ = Quantité d'eau pour le bac à glaçons

☒ = TMode affichage de température

☒ = Luminosité de l'affichage

☒ = Témoin du chauffage du joint de la porte

☒ = Réinitialisation de la DEL Filtre à air

Comment activer le mode Configuration - Figure 9

- Appuyer sur l'icône **Superfrost** pendant environ cinq secondes.
 - La **DEL Superfrost **** s'allume pendant 5 secondes.
 - Après 5 secondes, ☰ clignote sur l'écran.

A présent, l'appareil est en mode Configuration.

Vous pouvez sélectionner les fonctions du mode Configuration en appuyant sur les icônes **Up/Down** du compartiment congélateur.

Remarque

En mode Configuration, l'affichage clignote en continu.

Sortir du mode Configuration :

- Appuyer sur l'icône **On/Off** du compartiment congélateur. L'appareil repasse en mode normal de fonctionnement.

☰ = Mode du Sabbat

Cette caractéristique tient compte des exigences religieuses lors du Sabbat et des Fêtes. Lorsque le mode du Sabbat est activé, certaines fonctions des commandes électroniques sont mises en arrêt.

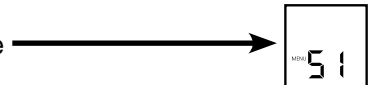
La porte peut être ouverte et fermée en tout temps.

- L'éclairage reste éteint.
- Le ventilateur de refroidissement reste comme il se trouve: s'il est en marche, il reste en marche, et s'il est en arrêt, il reste en arrêt.
- Il n'y a pas d'alarme de porte.
- Il n'y a pas d'alarme de température.
- Les cycles de dégivrage sont indépendants du nombre de fois et du temps d'ouverture de la porte.
- L'appareil va revenir en mode du Sabbat suite à une panne d'électricité.

Comment activer le mode du Sabbat

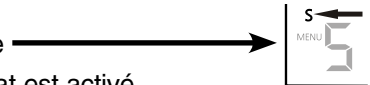
- Activer le mode Configuration en appuyant sur l'icône **SuperFrost** pendant 5 secondes.
 - L'affichage indique ☰.
- Appuyer sur l'icône **SuperFrost**.

- L'affichage indique



- Appuyer de nouveau sur l'icône SuperFrost.

- L'affichage indique



- Le mode du Sabbat est activé.

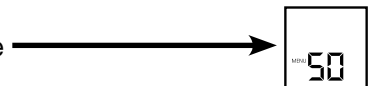
- Sortir du mode Configuration en appuyant sur l'icône **On/Off** du compartiment congélateur.

Le mode Sabbat se désactive automatiquement après 120 heures s'il n'a pas été désactivé manuellement auparavant.

Comment désactiver le mode du Sabbat

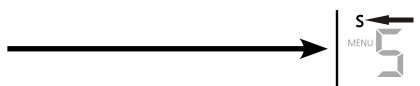
- Activer le mode Configuration en appuyant sur l'icône **SuperFrost** pendant 5 secondes.
 - L'affichage indique ☰.
- Appuyer sur l'icône **SuperFrost**.

- L'affichage indique



- Appuyer de nouveau sur l'icône **SuperFrost**.

- Le symbole ☰



n'est plus affiché,

le mode du Sabbat est désactivé.

- Sortir du mode Configuration en appuyant sur l'icône **On/Off** du compartiment congélateur.

☐ = Sécurité enfants

La sécurité enfants sert à éviter que l'appareil ne soit arrêté par inadvertance.


Comment activer la sécurité enfants

- Activer le mode Configuration en appuyant sur l'icône **Superfrost** pendant 5 secondes.
- Appuyer sur l'icône **Down du compartiment congélateur** jusqu'à ce qu'**☐** s'affiche sur l'écran de température du congélateur.
- Appuyer sur l'icône **Superfrost**.

- L'affichage indique



- Appuyer de nouveau sur l'icône **Superfrost**.

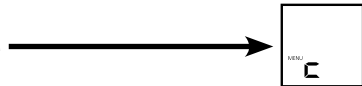
- La DEL  s'allume et la sécurité enfants est activée.

- Sortir du mode Configuration en appuyant sur l'icône **On/Off** du compartiment congélateur.

Comment désactiver la sécurité enfants

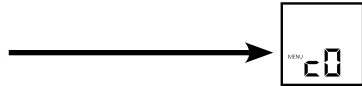
- Activer le mode Configuration en appuyant sur l'icône **Superfrost** pendant 5 secondes.

- L'affichage indique




- Appuyer sur l'icône **Superfrost**.

- L'affichage indique



- Appuyer de nouveau sur l'icône **Superfrost**.

- La DEL  s'éteint. La sécurité enfants est désactivée.

- Sortir du mode Configuration en appuyant sur l'icône **On/Off** du compartiment congélateur.

F = Remise à zéro de l'icône Gouttes

Après avoir changé le filtre d'eau, il est nécessaire de remettre à zéro l'icône

Gouttes affichée.

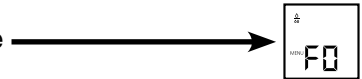


Comment remettre à zéro l'icône Gouttes

- Activer le mode Configuration en appuyant sur l'icône **Superfrost** pendant 5 secondes.
- Appuyer sur l'icône **Down du compartiment congélateur** jusqu'à ce qu'**F** s'affiche sur l'écran de température du congélateur.

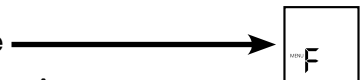
- Appuyer sur l'icône **Superfrost**.

- L'affichage indique



- Appuyer de nouveau sur l'icône **Superfrost**.

- L'affichage indique



- L'icône Gouttes disparaît.

- Sortir du mode Configuration en appuyant sur l'icône **On/Off** du compartiment congélateur.

{ = Test fonctionnel de la fabrique à glaçons

Activation par le personnel d'entretien seulement.

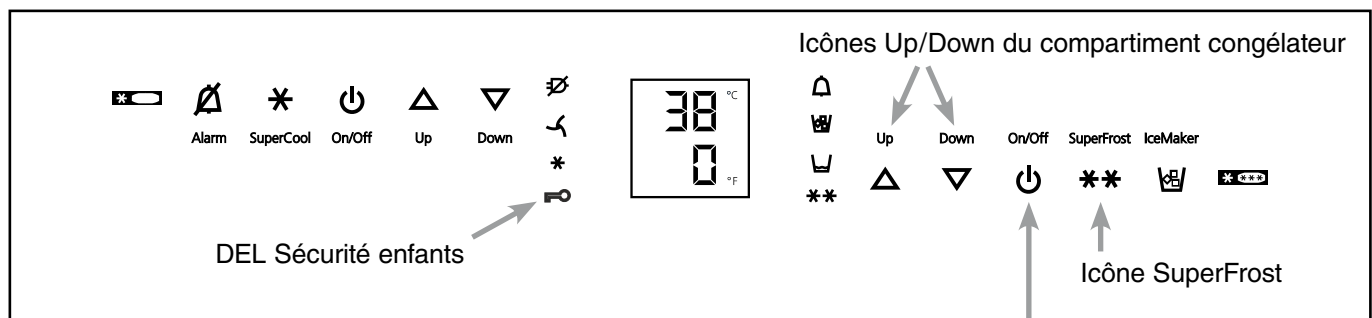


Figure 9

Icône On/Off du compartiment congélateur

UTILISATION

Mode Configuration - Figure 10

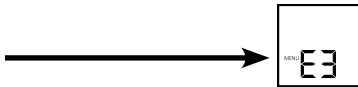
Ⓔ = Quantité d'eau pour le bac à glaçons

Si les glaçons produits par la fabrique à glaçons sont trop petits, il est possible de régler la quantité d'eau introduite.

Comment régler la quantité d'eau

- Activer le mode Configuration en appuyant sur l'icône **Superfrost** pendant 5 secondes.
- Appuyer sur l'icône **Down du compartiment congélateur** jusqu'à ce que Ⓔ s'affiche sur l'écran de température du congélateur.
- Appuyer sur l'icône **Superfrost**.

- L'affichage indique



- Appuyer sur l'icône **Up du compartiment congélateur** jusqu'à ce que Ⓔ 4 s'affiche.

IMPORTANT

Ne pas augmenter de plus d'un point. Si la valeur réglée est trop élevée, le bac à glaçons peut déborder.

- Appuyer de nouveau sur l'icône **Superfrost**.
- Sortir du mode Configuration en appuyant sur l'icône **On/Off** du compartiment congélateur.

Vérifier la taille des glaçons durant les jours suivants. Si les glaçons sont encore trop petits, veuillez suivre les étapes décrites précédemment.

□ = Mode affichage température

Vous pouvez sélectionner l'unité de température affichée en degrés Fahrenheit ou en degrés Celsius.

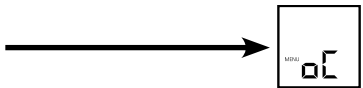
Remarque

Le réglage en usine est en degrés Fahrenheit.

Comment changer l'affichage de température en degrés Celsius

- Activer le mode Configuration en appuyant sur l'icône **Superfrost** pendant 5 secondes.
- Appuyer sur l'icône **Down du compartiment congélateur** jusqu'à ce que □ s'affiche sur l'écran de température du congélateur.
- Appuyer sur l'icône **Superfrost**.

- L'affichage indique



- Appuyer de nouveau sur l'icône **Superfrost**.
 - La température s'affiche maintenant en degrés Celsius.
- Sortir du mode Configuration en appuyant sur l'icône **On/Off** du compartiment congélateur.

Remarque

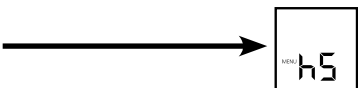
Pour revenir à l'affichage de température en degrés Fahrenheit, suivre les étapes ci-dessus.

h = Luminosité de l'affichage

Réglage de la luminosité de l'affichage

- Activer le mode Configuration en appuyant sur l'icône **Superfrost** pendant 5 secondes.
- Appuyer sur l'icône **Down du compartiment congélateur** jusqu'à ce que h s'affiche sur l'écran de température du congélateur.
- Appuyer sur l'icône **Superfrost**

- L'affichage indique



- Appuyer sur les icônes **Up/Down du compartiment congélateur** pour procéder à la sélection
 - h 0 = luminosité minimale ou
 - h 5 = luminosité maximale
- Appuyer sur l'icône **Superfrost** pour choisir la valeur désirée.
- Sortir du mode Configuration en appuyant sur l'icône **On/Off** du compartiment congélateur.


H = Témoin du chauffage au niveau de la charnière inférieure

Si de l'eau de condensation se forme dans la zone de la charnière inférieure ou sur la plaque de base entre le réfrigérateur et le congélateur, augmenter la puissance de l'élément de chauffage situé derrière la plaque de base.

Le réglage en usine est sur **HR** = puissance moyenne.

Comment changer la puissance de l'élément de chauffage

- Activer le mode Configuration en appuyant sur l'icône **Superfrost** pendant 5 secondes.
- Appuyer sur l'icône **Down du compartiment congélateur** jusqu'à ce qu'**H** s'affiche sur l'écran de température du congélateur.
- Appuyer sur l'icône **Superfrost**.

- L'affichage indique 

- Appuyer sur les icônes **Up/Down du compartiment congélateur** pour procéder à la sélection

HR = Quand il y a peu de condensation

H I = Quand il y a beaucoup de condensation

H 0 = Chauffage éteint

- Appuyer sur l'icône **Superfrost** pour choisir la valeur désirée.
- Sortir du mode Configuration en appuyant sur l'icône **On/Off** du compartiment congélateur.

Remarque


Dans des conditions ambiantes normales, aucune condensation ne se forme. Une humidité élevée et une température ambiante basse aident à prévenir la formation de condensation.

n = Réinitialisation de la DEL Filtre à air


Après le nettoyage du filtre à air de la plinthe coup de pied, réinitialiser la DEL Filtre à air. Pour savoir comment nettoyer le filtre à air, se référer au chapitre « Nettoyage ».

Comment réinitialiser la DEL Filtre à air

- Activer le mode Configuration en appuyant sur l'icône **Superfrost** pendant 5 secondes.
- Appuyer sur l'icône **Down du compartiment congélateur** jusqu'à ce qu'**n** s'affiche sur l'écran de température du congélateur.
- Appuyer sur l'icône **Superfrost**.

- L'affichage indique 

- Appuyer de nouveau sur l'icône **Superfrost**.

- L'affichage indique 

- La DEL Filtre à air s'éteint.
- Sortir du mode Configuration en appuyant sur l'icône **On/Off** du compartiment congélateur.

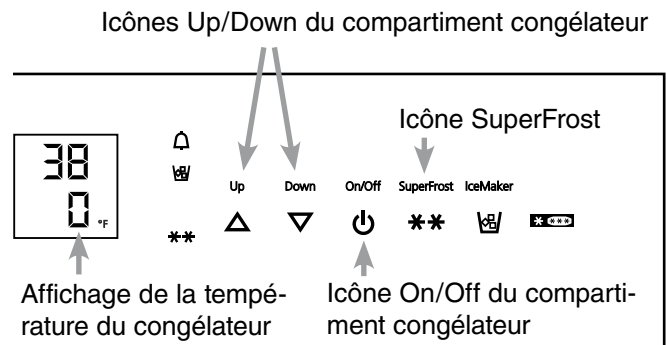


Figure 10

COMPARTIMENT RÉFRIGÉRATEUR

Disposer les aliments - Figure 11

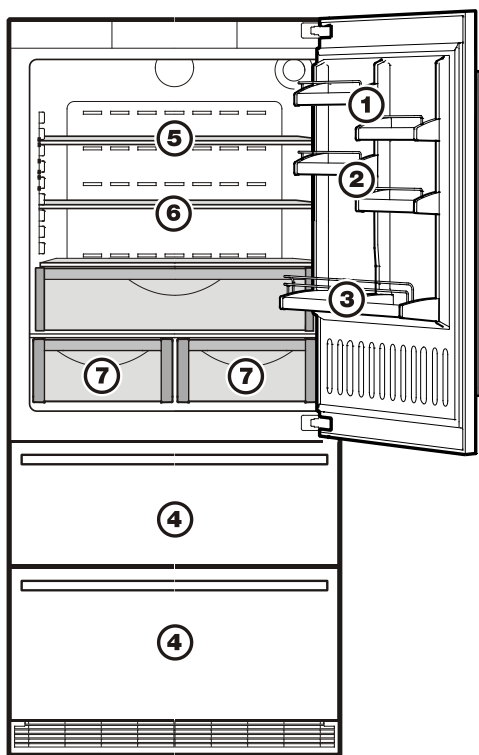


Figure 11

- (1) Beurre, fromage
- (2) Œufs, canettes, boissons, bouteilles
- (3) Récipients d'une contenance d'1 gallon
- (4) Produits congelés, glaçons
- (5) Viande et saucisses, produits laitiers
- (6) Aliments cuits au four, repas précuits
- (7) Fruits, légumes, salades

IMPORTANT

- Les liquides et les aliments qui émettent ou absorbent les odeurs doivent toujours être recouverts ou conservés dans des boîtes fermées.
- Veiller à ce que vos alcools forts soient bien fermés et les conserver verticalement.
- Les fruits, les légumes et les salades peuvent être stockés dans le tiroir sans emballage.

Installation des étagères

Pour sortir le tiroir à légumes

Sortir complètement le tiroir, le saisir à l'arrière et le soulever - Figure 12.

Pour mettre le tiroir à légumes en place

Reposer le tiroir sur les glissières. Les glissières doivent être complètement sorties et doivent arriver en butée de la façade du tiroir. Glisser le tiroir.

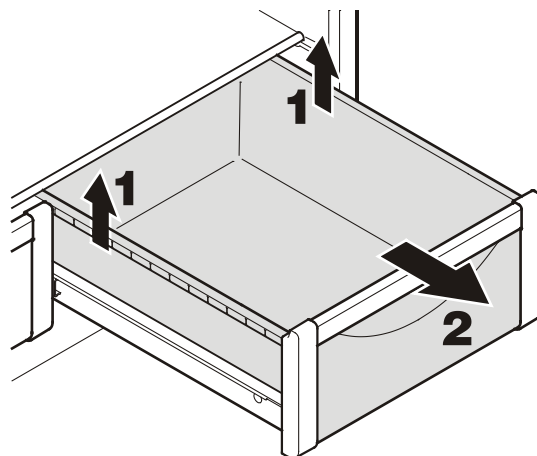


Figure 12

COMPARTIMENT RÉFRIGÉRATEUR

Repositionner les étagères - Figure 13

1. Tenir l'étagère dans votre main afin d'éviter qu'elle ne bascule vers l'arrière lors du déplacement.
2. Soulever le devant de l'étagère.
3. Déplacer l'étagère vers l'avant pour aligner l'évidement circulaire de l'étagère avec le cache de l'éclairage intérieur.
4. Soulever l'étagère vers le haut ou l'abaisser et la replacer dans la position souhaitée.

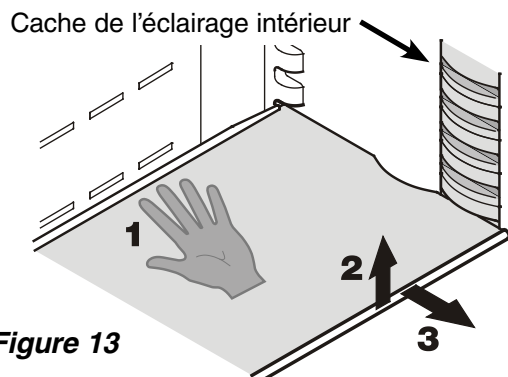


Figure 13

Retirer les étagères - Figure 14

1. Suivre les trois premières étapes décrites au chapitre ci-dessus.
2. Abaisser l'étagère et l'arrêter juste au-dessus du tiroir à légumes supérieur.
3. Déplacer l'avant de l'étagère vers le haut jusqu'à ce que l'étagère soit en position verticale.
4. Retirer l'étagère en la tirant du côté gauche.

⚠ AVERTISSEMENT

Afin d'éviter toute chute lors du déplacement, tenir l'étagère avec les deux mains.

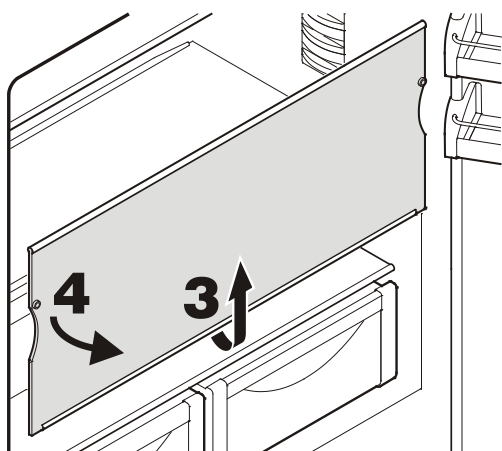


Figure 14

Éclairage intérieur

L'éclairage intérieur est situé à gauche, à droite et en haut du compartiment réfrigérateur (**Figure 15**) et au-dessus de chaque tiroir dans le compartiment congélateur. Il s'allume si l'une des portes ou si l'un des tiroirs du congélateur est ouvert.

La lumière s'éteint automatiquement si l'une des portes ou l'un des tiroirs du congélateur est ouvert depuis environ 15 minutes. L'alarme sonore se déclenche simultanément.

L'intensité lumineuse de l'éclairage DEL correspond à la classe laser 1/1M.

IMPORTANT

Le cache de l'éclairage ne peut être retiré que par le service clientèle.

⚠ ATTENTION!

Risque d'affection oculaire.

Lorsque le cache est retiré, ne jamais regarder directement l'éclairage à travers des lentilles optiques.

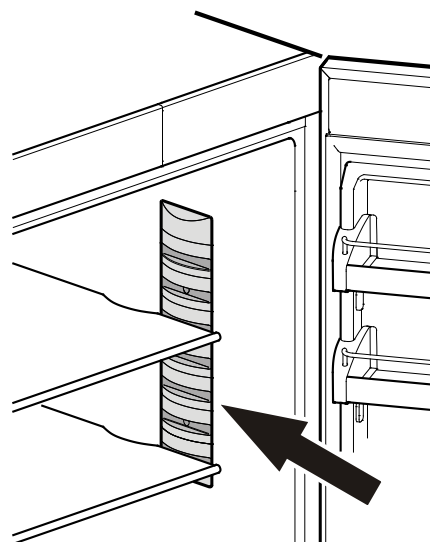


Figure 15

COMPARTIMENT CONGÉLATEUR

Description du compartiment congélateur

La fabrique à glaçons se trouve dans le tiroir supérieur du côté gauche.

Les glaçons tombent de la fabrique à glaçons dans le tiroir.

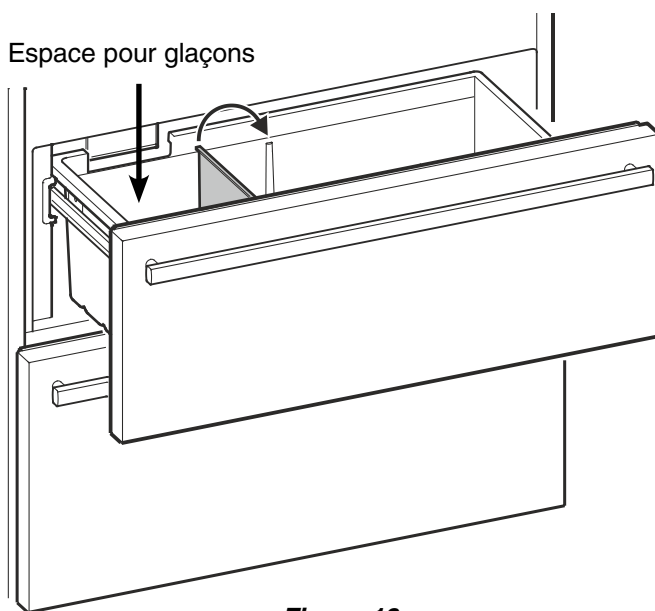
Le tiroir supérieur est séparé par un panneau de séparation pour le stockage des glaçons dans la partie gauche du tiroir (**Figure 16**).

Si vous avez besoin de plus d'espace pour le stockage des glaçons, retirer le panneau de séparation vers le haut et le réinsérer dans le rail adjacent (**Figure 16**).

Si vous avez besoin de la totalité du volume du tiroir pour le stockage des glaçons, vous pouvez retirer le panneau de séparation en le tirant vers le haut.

Si vous avez besoin de la totalité du volume du tiroir supérieur pour congeler et stocker des aliments, éteindre la fabrique à glaçons (consulter le chapitre "Mise en marche et arrêt de la fabrique à glaçons").

Le tiroir inférieur est prévu pour congeler et stocker des aliments. Des glaçons peuvent aussi être stockés dans ce tiroir.



Retirer les récipients du compartiment congélateur

Les récipients des deux tiroirs du compartiment congélateur peuvent être retirés.

- Désenclipser les coins gauche et droit du récipient en le tirant vers le haut (1) - **Figure 17**.
- Pousser le récipient vers l'arrière (2) - **Figure 17**.

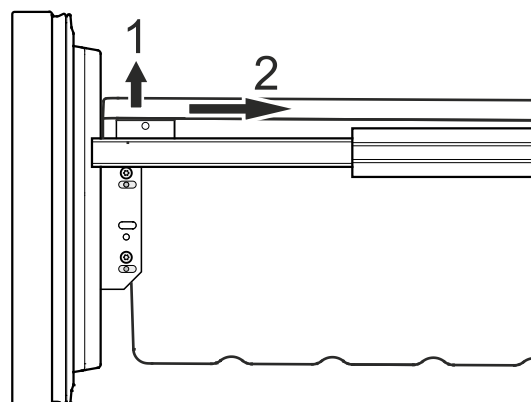


Figure 17

- Basculer le récipient et le retirer - **Figure 18**.

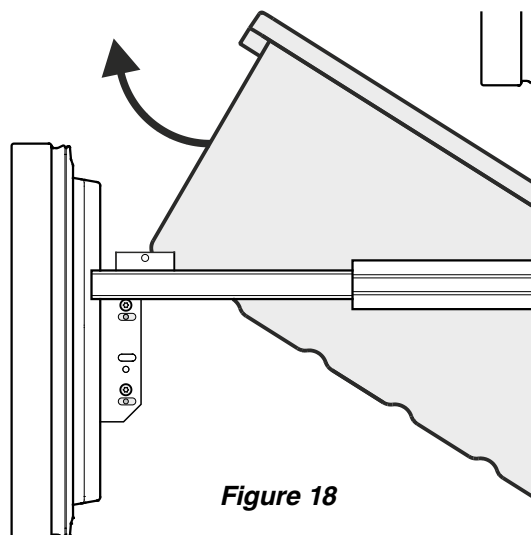


Figure 18

Réinstaller le récipient en exécutant la procédure dans l'ordre inverse.

COMPARTIMENT CONGÉLATEUR

Congélation

Les aliments frais doivent être congelés complètement et aussi rapidement que possible. Cela est possible avec la fonction Superfrost et assure que la valeur nutritionnelle, l'apparence et le goût des aliments restent intacts.

Congeler avec Superfrost - Figure 19

- Appuyer un court instant sur l'icône Superfrost pour que la DEL ** s'allume.
- Attendre 24 heures.
- Placer ensuite les aliments frais à l'intérieur du congélateur.
- La fonction Superfrost s'arrête automatiquement au bout de 30 (au plus tard 65) heures en fonction de la quantité d'aliments rangés dans le congélateur.

Le processus de congélation est maintenant terminé, la DEL ** Superfrost s'éteint et le congélateur revient à un fonctionnement normal qui consomme un minimum d'énergie.

IMPORTANT

Il est conseillé de ne pas activer la fonction Superfrost :

- pour placer des aliments surgelés dans le congélateur ;
- pour congeler jusqu'à environ 4-1/2 lb (2 kg) d'aliments frais par jour.

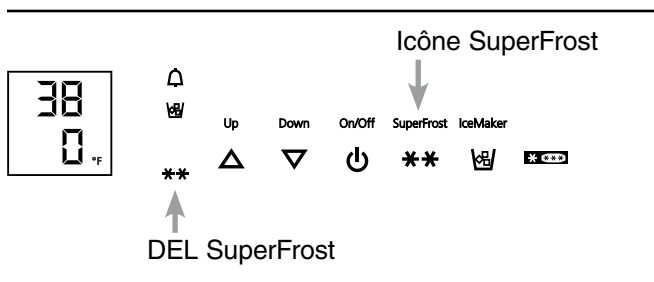


Figure 19

Congélation et rangement

- Emballer les aliments surgelés dans des sacs de congélation ou des boîtes en plastique, métal ou aluminium réutilisables.
- Ne pas laisser les aliments frais devant être congelés entrer en contact avec les aliments déjà congelés. Veiller à ce que les paquets soient secs pour éviter qu'ils ne se collent entre eux.
- Toujours écrire la date et le contenu sur le paquet et ne pas dépasser le temps de stockage indiqué pour les aliments. Ceci permet d'éviter le gâchis.
- Emballer les aliments que vous congelez vous-même en quantité que vous allez utiliser dans votre ménage. Pour assurer que les aliments se congèlent rapidement, chaque paquet ne doit pas dépasser les quantités suivantes :
 - fruits, légumes : jusqu'à 2-1/4 lb (1 kg) ;
 - viande : jusqu'à 5-1/2 lb (2,5 kg).
- Ne pas congeler des bouteilles ou des canettes qui contiennent des boissons gazeuses, car elles risquent d'exploser. Les boissons peuvent être refroidies rapidement, toutefois il faudra sortir les bouteilles du congélateur après une heure maximum.
- Ne sortir que la quantité d'aliments devant être décongelés. Faire cuire les aliments déjà décongelés le plus rapidement possible. Les aliments congelés peuvent être décongelés de différentes façons :
 - dans un four à micro-ondes
 - dans le réfrigérateur : la meilleure façon de décongeler les aliments, car les chances de bactéries sont moindres. Utiliser cette méthode pour les aliments à forte densité comme les rôtis et la volaille.

Recommandations et consignes de sécurité relatives à l'utilisation de la fabrique à glaçons automatique

- La fabrique à glaçons sert exclusivement à la production de glaçons correspondant aux besoins des ménages.
- Les réparations et interventions au niveau de la fabrique à glaçons doivent être effectuées uniquement par le service après-vente ou par du personnel spécialisé formé à cet effet.
- **Les trois premiers lots de glaçons ne doivent ni être consommés, ni utilisés. Cette règle s'applique aussi bien lors de la mise en service qu'après une mise hors service prolongée de l'appareil.**
- **Le fabricant se dégage de toute responsabilité pour des dommages résultant des équipements ou des conduites d'eau situés entre l'électrovanne et le raccordement à l'eau domestique.**
- La fabrique à glaçons ne produira des glaçons que si le compartiment congélateur fonctionne et si les deux tiroirs du congélateur sont complètement fermés.

Mise en marche et arrêt de la fabrique à glaçons (Figure 20)

Mettre en marche la fabrique à glaçons

- Appuyer sur l'icône **Fabrique à glaçons** afin d'allumer la **DEL Fabrique à glaçons**.

Arrêter la fabrique à glaçons

Si vous n'avez pas besoin de glaçons, la fabrique à glaçons peut être mise hors fonction indépendamment du congélateur.

- Appuyer sur l'icône **Fabrique à glaçons** pour éteindre la **DEL Fabrique à glaçons**.

Fabrique à glaçons durant les vacances

Consulter le chapitre "Conseils pour les périodes de vacances".

Description de la fabrique à glaçons

Après la mise en service, il faut attendre jusqu'à 24 heures pour que les glaçons soient fabriqués.

Les glaçons tombent de la fabrique à glaçons dans le tiroir (consulter le chapitre "Description du compartiment congélateur").

IMPORTANT

Veiller à ce que les trois premiers lots de glaçons ne soient ni utilisés, ni consommés.

Lorsque les glaçons atteignent un certain niveau dans le tiroir, l'appareil cesse automatiquement de produire des glaçons.

L'appareil fabrique entre 100 et 120 glaçons en 24 heures à une température de 0°F (-18°C) à l'intérieur du congélateur.

Pour obtenir une capacité maximale d'environ 150 glaçons en 24 heures, activer la fonction SuperFrost.

Il faut savoir que cette fonction augmente la consommation d'énergie car le compresseur fonctionne alors en permanence.

Remarque

Si le voyant DEL Fabrique à glaçons clignote, c'est que la fabrique à glace n'est pas alimentée en eau. Vérifier si le robinet d'arrêt d'eau de l'alimentation en eau est ouvert.

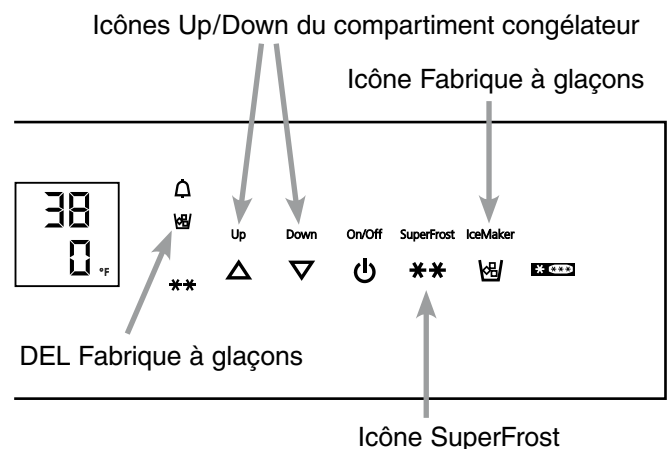


Figure 20

Dégivrage

Compartiment réfrigérateur

Le compartiment réfrigérateur est à dégivrage automatique. L'eau de dégivrage qui se forme sur la paroi arrière est évacuée et recueillie dans un bac au dos de l'appareil, d'où elle s'évapore ensuite sous l'effet de la chaleur dissipée par le compresseur.

Compartiment congélateur

Le système NoFrost dégivre automatiquement le compartiment congélateur. Toute l'humidité est collectée sur l'évaporateur et gèle ; elle se dégivre et s'évapore régulièrement.

Nettoyage

- **Pour éviter toute blessure éventuelle due à une électrocution, veiller à débrancher le cordon d'alimentation ou déclencher le disjoncteur avant de nettoyer l'appareil.**
- **Afin d'éviter toute blessure ou d'abîmer l'appareil, ne pas utiliser d'appareils de nettoyage à vapeur pour nettoyer l'appareil.**
- **Afin d'éviter un court circuit lors du nettoyage de l'appareil, s'assurer que l'eau ne pénètre pas dans les composants électriques. Ne pas utiliser une éponge ou un chiffon trop humide.**

Ne pas utiliser d'éponges abrasives ou de tampon métallique à récurer. **Ne pas** utiliser de produits nettoyants concentrés et **ne jamais** utiliser de nettoyants abrasifs ou acides ou de solvants chimiques.

- Retirer tous les aliments des compartiments réfrigérateur et congélateur et les stocker provisoirement dans un endroit frais. Stocker les aliments congelés dans d'autres congélateurs si c'est possible.
- Retirer les balconnets de porte comme à la **Figure 21**.
- Retirer les tiroirs à légumes comme à la **Figure 12**.
- Retirer les étagères en verre comme à la **Figure 14**.

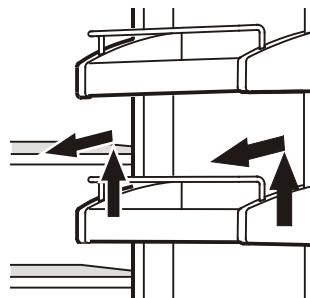


Figure 21

- Retirer les récipients des tiroirs du compartiment congélateur comme aux **Figures 17 et 18**.
- Un mélange d'eau tiède et de produit vaisselle est conseillé pour nettoyer l'appareil et les équipements intérieurs.

IMPORTANT

Ne pas nettoyer les équipements intérieurs dans le lave-vaisselle. Les bordures de ces éléments pourraient se défaire.

- Essuyer bien l'appareil avec un chiffon.
- **Ne pas** endommager ou enlever la plaque de modèle à l'intérieur de l'appareil. Elle est très importante en cas de réparations.
- Installer tous les équipements intérieurs et remettre les aliments dans l'appareil.
- Mettre en marche l'appareil.

Instructions de nettoyage pour les panneaux avec une surface en acier inoxydable

Gardez l'aspect neuf de l'acier inoxydable en nettoyant celui-ci tous les mois avec un produit de nettoyage ou d'entretien d'acier inoxydable de bonne qualité. Des produits de nettoyage ou de traitement de haute qualité sont disponibles dans le commerce.

Ne pas nettoyer avec des tampons métalliques abrasifs ou de la paille de fer. N'utilisez pas des produits de nettoyage non conçus pour l'utilisation sur l'acier inoxydable, tels que les produits de nettoyage du verre, du carrelage ou des surfaces. Ces types de produits de nettoyage peuvent endommager la surface de façon permanente.

NETTOYAGE

Nettoyage du filtre à air

- Ouvrir le tiroir inférieur du congélateur et dévisser la grille de ventilation - **Figure 22**.

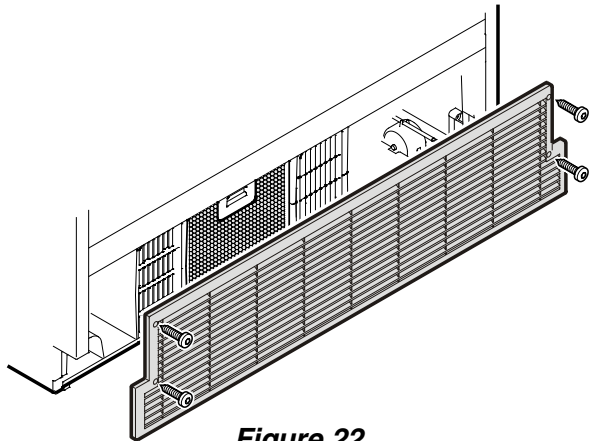


Figure 22

- Nettoyer le filtre au lave-vaisselle ou à la main avec de l'eau tiède et un produit vaisselle.
- Réinstaller le filtre à air en exécutant la procédure dans l'ordre inverse.
- Installer la grille de ventilation.
- Installer tous les équipements intérieurs et remettre les aliments dans l'appareil.
- Mettre en marche l'appareil.
- Réinitialiser la DEL Filtre à air.
Se référer au chapitre **Mode Configuration** - \square = Réinitialiser la DEL Filtre à air.

- Presser le bouton du filtre à air vers le bas, faire basculer le filtre vers l'avant puis le retirer - **Figure 23**.

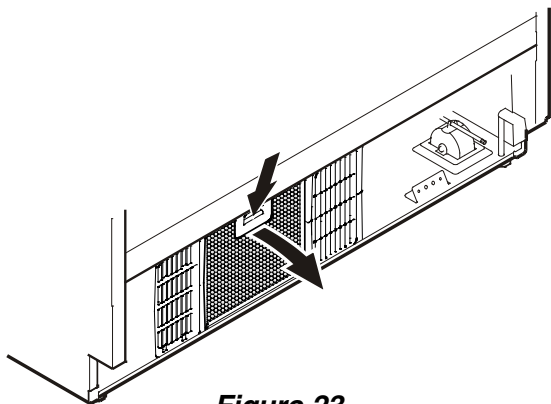


Figure 23

Conseils pour les périodes de vacances (Figure 24)

Vacances courtes

Il est inutile de mettre le réfrigérateur et le congélateur hors tension en cas d'absence inférieure à quatre semaines.

- Arrêter l'arrivée d'eau de la fabrique à glaçons.
- > Lorsque le voyant DEL Fabrique à glaçons commence à clignoter, l'eau qui reste dans le conduit d'alimentation en eau se trouve dans la fabrique à glaçons.
- Laisser la fabrique à glaçons allumée et en marche durant une journée pour que les glaçons restant soient éjectés.
- Appuyer sur l'icône Fabrique à glaçons pour éteindre le voyant DEL Fabrique à glaçons.
- Déplacer tous les glaçons vers la partie droite du tiroir ou vers le tiroir inférieur.
- Consommer toutes les denrées périssables.
- Congeler les autres produits.

Vacances prolongées

En cas d'absence supérieure ou égale à un mois:

- Arrêter l'arrivée d'eau de la fabrique à glaçons.
- > Lorsque le voyant DEL Fabrique à glaçons commence à clignoter, l'eau qui reste dans le conduit d'alimentation en eau se trouve dans la fabrique à glaçons.
- Laisser la fabrique à glaçons allumée et en marche durant une journée pour que les glaçons restant soient éjectés.
- Appuyer sur l'icône Fabrique à glaçons pour éteindre le voyant DEL Fabrique à glaçons.
- Retirer tous les glaçons du tiroir et les éliminer.
- Retirer tous les aliments des compartiments réfrigérateur et congélateur.
- Mettre hors tension les compartiments réfrigérateur et congélateur.
- Nettoyer l'appareil. Consulter la section **Nettoyage**.
- Laisser la porte et les deux tiroirs du congélateur ouverts pour prévenir les odeurs désagréables. Cela empêche également la formation de moisissure.

Mettre en marche la fabrique à glaçons après les vacances

- Ouvrir l'alimentation en eau de la fabrique à glaçons.
- Appuyer sur l'icône Fabrique à glaçons pour allumer le voyant DEL Fabrique à glaçons.

IMPORTANT

Ne pas consommer ou utiliser les trois premiers lots de glaçons après que la fabrique à glaçons soit restée inutilisée plus d'une semaine.

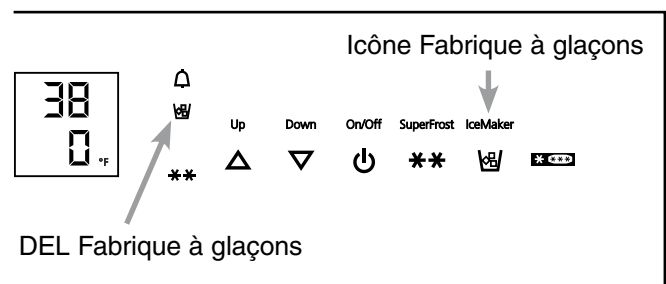


Figure 24

RECHERCHE DES PANNES

Recherche des pannes

Votre appareil est conçu et fabriqué pour durer et fonctionner de manière fiable.

Si un problème survient en cours d'utilisation, vérifiez s'il est dû à une erreur d'utilisation. Il est important de noter que même pendant la période de garantie, certains coûts de réparation peuvent être imputés au propriétaire.

Vous serez peut être en mesure de remédier aux pannes suivantes en vérifiant vous-même les causes possibles.

Problème	Cause possible et solution
L'appareil ne fonctionne pas, l'affichage est éteint	<ul style="list-style-type: none">- L'appareil a-t-il été correctement mis en marche?- La fiche du cordon d'alimentation est-elle correctement enfichée?- Le disjoncteur ou le fusible est-il en bon état de fonctionnement?
L'éclairage intérieur ne s'allume pas	<ul style="list-style-type: none">- L'appareil est-il en marche ?
Le moteur semble fonctionner trop longtemps	<ul style="list-style-type: none">- La température ambiante est-elle trop élevée ? Voir Contraintes de sécurité.- L'appareil est-il été ouvert trop souvent ou est-il resté ouvert trop longtemps?- Une grande quantité d'aliments frais a-t-elle été placée dans l'appareil?- L'appareil est en mode SuperCool. Vérifiez que l'appareil est en mode de fonctionnement normal.
La température n'est pas assez basse	<ul style="list-style-type: none">- Le réglage de la température est-il correct? Voir Réglage de la température.- Trop d'aliments frais ont-ils été placés dans l'appareil?- Le thermomètre installé séparément indique-t-il la température correcte?- La ventilation de l'appareil fonctionne-t-elle correctement?- L'appareil est-il installé à proximité d'une source de chaleur?
Deux tirets "- -" s'affichent sur l'écran de température du congélateur	L'écran de température du congélateur affiche uniquement les températures négatives. Lorsque le congélateur est mis en service la première fois, la température n'est pas négative. Il faut compter entre trois et cinq heures (selon les conditions ambiantes) pour que les températures passent en dessous de zéro et puissent donc s'afficher. Ceci peut également se produire après une panne de courant.

RECHERCHE DES PANNES

Recherche des pannes sur la fabrique à glaçons

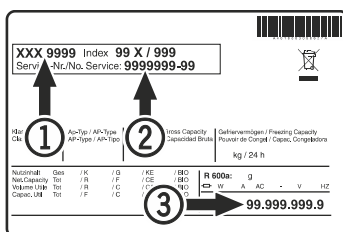
Vous serez peut-être en mesure de remédier aux pannes suivantes en vérifiant les causes possibles.

Problème	Cause possible et solution
La fabrique à glaçons ne peut pas être mise en marche	- L'appareil est-il bien branché à la prise électrique?
La fabrique à glaçons ne produit pas de glaçons	- A-t-elle été mise en marche ? - Le conduit d'alimentation d'eau est-il ouvert? - Est-ce que les deux tiroirs du congélateur sont fermés adéquatement?

Service clientèle

Si aucune des causes possibles ci-dessus ne s'applique et que vous ne pouvez pas rectifier vous-même le problème, rejoignez le représentant du service clientèle le plus proche.

Indiquez le type (1) d'appareil, le numéro de service (2) et le numéro d'appareil/série (3), indiqué sur la plaque du modèle.



L'emplacement de la plaque du modèle figure dans le chapitre **Description de l'appareil**.

Information de l'appareil

Conserver cette information au moment de l'installation de l'appareil.

Désignation du type : _____

Numéro de service : _____

Numéro de l'appareil/série : _____

Date d'achat : _____

Lieu d'achat : _____

GARANTIE

GARANTIE LIEBHERR

GARANTIE COMPLÈTE DE DEUX ANS

Pendant deux ans à partir de la date originale de l'achat, votre garantie Liebherr couvre toutes les pièces et main-d'oeuvre pour réparer ou remplacer toute pièce du produit qui s'avère défectueuse, relativement aux matériaux ou à la main-d'oeuvre.

GARANTIE COMPLÈTE DE CINQ ANS

Pendant cinq ans à partir de la date originale de l'achat, votre garantie Liebherr couvre toutes les pièces et main-d'oeuvre pour réparer ou remplacer toute pièce du produit qui s'avère défectueuse, relativement aux matériaux ou à la main-d'oeuvre du système scellé. Le « système scellé » est uniquement constitué du compresseur, du condenseur, de l'évaporateur, du déshydrateur et de tous les tubes de branchement.

GARANTIE LIMITÉE DE LA 6^{ÈME} À LA 12^{ÈME} ANNÉE

De la 6^{ème} à la 12^{ème} année à partir de la date originale de l'achat, votre garantie Liebherr couvre toutes les pièces qui s'avèrent défectueuses, relativement aux matériaux ou à la main-d'oeuvre, dans le système scellé (pièces seulement).

CONDITIONS APPLICABLES À CHAQUE GARANTIE

Tous les services fournis par Liebherr dans le cadre de cette garantie doivent être exécutés par les représentants de services autorisés par Liebherr, à moins d'être autrement spécifié par Liebherr. Le service sera rendu sur place pendant les heures d'affaires normales. Cette garantie s'applique uniquement aux produits installés pour un usage privé normal. Les détails relatifs à la garantie non-privée sont disponibles sur demande.

La garantie s'applique uniquement aux produits installés dans n'importe lequel des cinquante états des États-Unis ou dans le District de Columbia et au Canada. Cette garantie ne couvre ni les pièces ni la main-d'oeuvre nécessaires à la correction d'une défaillance causée par la négligence, un accident ou une mauvaise utilisation, entretien, installation, service ou réparation, incluant, mais sans être limité à, un retrait et une réinstallation incorrects du groupe compresseur-condenseur.

LES GARANTIES SUSMENTIONNÉES TIENNENT EXPRESSÉMENT LIEU ET PLACE DE TOUTE AUTRE GARANTIE, EXPLICITE OU IMPLICITE, Y COMPRIS TOUTE GARANTIE IMPLICITE DE QUALITÉ MARCHANDE OU DE CONFORMITÉ À DES FINS PARTICULIÈRES ET DE TOUTE AUTRE OBLIGATION OU RESPONSABILITÉ DE LIEBHERR. LIEBHERR NE PEUT ÊTRE EN AUCUN CAS TENU RESPONSABLE DES DOMMAGES ET INTÉRÊTS SPÉCIAUX, FORTUITS OU CONSÉCUTIFS RÉSULTANT DE LA VIOLATION DE CES GARANTIES OU DE TOUTE AUTRE GARANTIE, QU'ELLE SOIT EXPLICITE, IMPLICITE OU LÉGALE.

Certains états ne permettent pas l'exclusion ou la limitation des dommages indirects ou consécutifs ; les limitations ci-dessus peuvent par conséquent ne pas s'appliquer à votre cas. Cette garantie vous donne des droits légaux spécifiques et vous pouvez également avoir d'autres droits qui varient d'un état à l'autre.

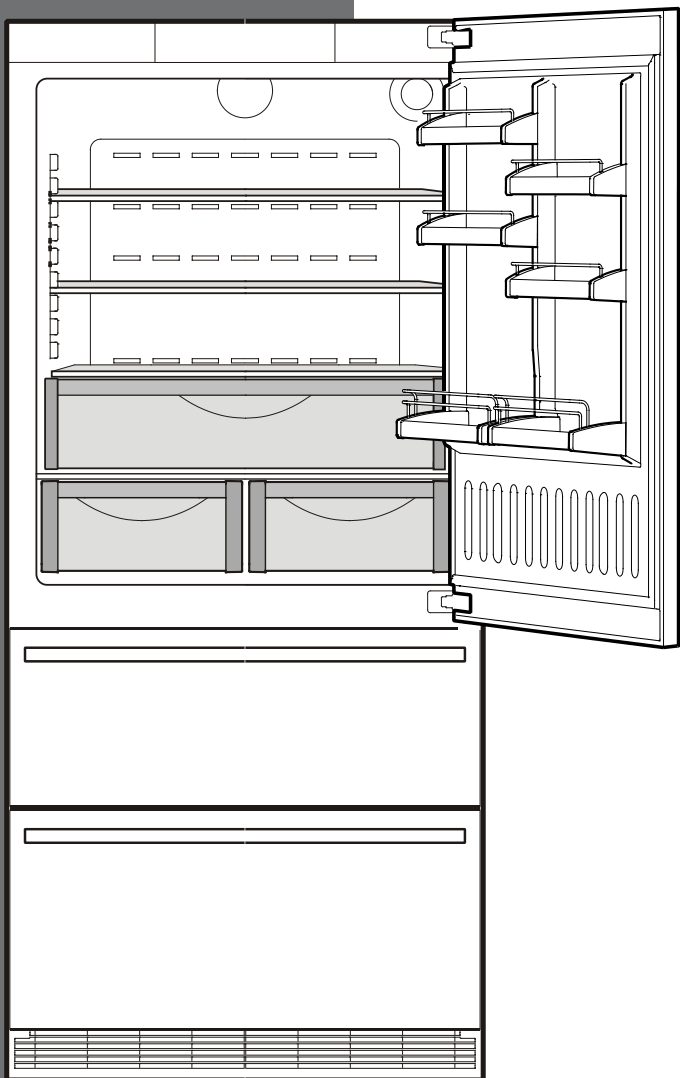
Pour recevoir des pièces et/ou des services ainsi que le nom du représentant de service Liebherr autorisé le plus près de chez vous, contactez le concessionnaire ou le distributeur Liebherr ou contactez le fournisseur national de service Liebherr

Aux États-Unis : à l'adresse Service-appliances.us@liebherr.com ou composez le 1-866-LIEBHERR (866-543-2437).
Au Canada : www.euro-parts.ca ou composez le 1-888-LIEBHERR (1-888-543-2437).

LIEBHERR

Instrucciones de manejo y de manteni- miento

para combinados
frigorífico-congelador NoFrost
con IceMaker



CS 2060 / HC 2060
7084 351-00

Le felicitamos por su nuevo aparato. Con esta adquisición se ha decidido por todas las ventajas de la tecnología del frío más moderna que le garantizará una alta calidad, una larga duración de vida y una gran seguridad funcional del aparato.

La dotación de su aparato le brinda diariamente el máximo confort de manejo.

Con este aparato, que está fabricado según procedimientos de protección medioambiental y empleando materiales reciclables, contribuimos activamente, tanto Vd. como nosotros, a la protección de nuestro medio ambiente.

A fin de conocer todas las ventajas del aparato y sacarle el máximo provecho, el usuario deberá leer atentamente estas instrucciones de manejo.

Nos queda desearle que disfrute mucho con su nuevo aparato.

Otros puntos a favor

- Sin CFC
- Circuito de frío optimizado
- Eficaz aislamiento
- Bajo consumo energético
- Fácil manejo - control electrónico
- Indicación de las funciones activadas
- Regulación de temperatura correspondiente al tipo climatológico independiente de la temperatura ambiente
- Desescarche automático del frigorífico y congelador: no es necesario dedicar tiempo y trabajo al desescarche
- Frigorífico de gran volumen útil
- Práctica dotación, de posición variable
- Baldas de vidrio de seguridad
- Congelador de gran volumen útil
- Fabricador de hielo automático
- Filtro de agua para la producción de hielo con agua de buena calidad
- Aviso en caso de temperatura congeladora insuficiente
- Alarma al estar la puerta abierta
- Indicación de corte de corriente eléctrica/FrostControl
- Función de congelación rápida 'según cantidad' de los alimentos a congelar
- Todos los cajones aptos para la congelación rápida
- Asas de transporte integradas en el aparato
- Rodillos de transporte
- Fácil limpieza
- La organización Star-K ha certificado este aparato como conforme al Sábado, por lo tanto, se puede usar durante el reposo religioso. Si desea una información más detallada, visite Star-K en la web en www.star-k.org.

Índice	Página
Eliminación del aparato viejo.....	56
Eliminación de este aparato.....	56
Eliminación del embalaje.....	56
Refrigerante R600a.....	56
Emplazamiento.....	56
Información importante sobre la seguridad.....	57
Seguridad eléctrica.....	58
Reglamentaciones de seguridad.....	58
Filtro de agua.....	59
Instalación del filtro de agua.....	59
Extracción del filtro de agua.....	59
Descripción y dotación del aparato.....	60
Elementos de mando y control.....	61
Elementos de mando y control.....	61
Conexión/Desconexión del aparato.....	62
Indicación de corte de corriente eléctrica/ FrostControl.....	63
Modo de configuración.....	64
Reparto de los alimentos.....	68
Modificación de los elementos de dotación interior ...	68
Iluminación interior.....	69
Descripción del compartimento congelador.....	70
Retirar los recipientes del compartimento congelador.....	70
Congelación.....	71
Congelar con Superfrost.....	71
Sugerencias para congelar y almacenar.....	71
Advertencias generales y concernientes a la seguridad para el fabricante de hielo automático.....	72
Conexión y desconexión del fabricante de hielo.....	72
Descripción del fabricante de hielo.....	72
Desescarche.....	73
Limpieza.....	73
Limpieza del filtro de aire.....	74
Consejos para las vacaciones.....	75
¿Anomalías - Problemas?.....	76
¿Anomalías - Problemas en el fabricante de hielo? ..	77
Servicio Técnico.....	77
Informaciones sobre el aparato.....	77
Plan de garantía Liebherr.....	78

Por favor lea y siga estas instrucciones

Estas instrucciones contienen indicaciones de Peligro, Advertencia y Precaución.

Esta información es importante para una instalación y operación eficientes y seguras.

¡Siempre debe leer y seguir todas las indicaciones de Peligro, Advertencia y Precaución!



¡PELIGRO!

Indica un riesgo que originará lesiones graves o la muerte si no se siguen las prescripciones de seguridad.



¡ADVERTENCIA!

Indica un riesgo que puede provocar lesiones graves o la muerte si no se tienen en cuenta las prescripciones de seguridad.



¡PRECAUCIÓN!

Señala una situación en la cual pueden producirse lesiones menores o moderadas si no se siguen las instrucciones.

IMPORTANTE

Aquí se destaca la información que es especialmente relevante para una instalación y operación sin problemas.

Propuesta 65 de California

Este producto contiene químicos que el estado de California considera que causan cáncer o daños reproductivos.

IMPORTANTE

Debido al continuo desarrollo tecnológico a favor de nuestros tipos y modelos pueden darse pequeñas divergencias en diseño, dotación y características del aparato, que no figuran en el presente manual de instrucciones.

SEGURIDAD

Eliminación del aparato viejo



¡PELIGRO!

Riesgo de que los niños resulten atrapados.

El atrapamiento y asfixia de niños no es un problema del pasado.

Los refrigeradores tirados y abandonados son un peligro, aun si van a quedar ahí "por unos pocos días".

Si Ud. está por deshacerse de su refrigerador viejo, por favor siga las instrucciones que se dan a continuación para prevenir accidentes.

Antes de descartar aparatos viejos:

- Quite las puertas.
- Deje las repisas en su lugar de forma que los niños no puedan subirse al interior.
- Corte el cable de alimentación del aparato desechado. Elimínelo por separado del aparato.
- Asegúrese de seguir las exigencias locales para la eliminación de aparatos domésticos.

Para obtener más información, póngase en contacto con la oficina de recolección de basura en su zona.

Eliminación de este aparato

Este aparato contiene gases inflamables dentro del circuito de refrigeración y la espuma de aislamiento.

Contacte con el Distrito o la Empresa de eliminación de residuos de su zona para información sobre formas de reciclaje o eliminación aprobadas.

Eliminación del embalaje

El embalaje protector del aparato y de elementos sueltos se ha fabricado con materiales reciclables.



¡ADVERTENCIA!

Los materiales de embalaje no son juguetes para los niños. ¡Existe el peligro de asfixia con láminas o bolsas de plástico!

Recicle el material de embalaje donde haya instalaciones disponibles para ello.

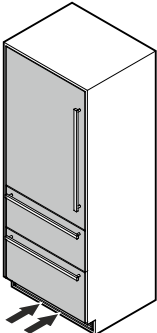
Refrigerante R600a



¡ADVERTENCIA!

El refrigerante incluido R600a respeta el medio ambiente, pero es inflamable. Las salpicaduras de refrigerante pueden inflamarse.

Para evitar una posible ignición observe las advertencias siguientes:

- Mantenga las aberturas para aireación, en la carcasa del aparato o en la estructura empotrada, libres de obstrucciones. 
- No utilice dispositivos mecánicos u otros medios para acelerar el proceso de descongelación, distintos de los recomendados por el fabricante.
- No dañe el circuito refrigerante.
- Cualquier trabajo de reparación o mantenimiento deberá realizarlo exclusivamente el personal autorizado del servicio a clientes.
- No utilice aparatos eléctricos dentro de los compartimientos de almacenaje de comida del aparato, a menos que sean del tipo recomendado por el fabricante.

Emplazamiento

Hay que evitar la colocación del aparato al lado de una ventana, donde lo alcance directamente el calor solar, o junto al horno, al hogar, a la calefacción u otras fuentes de calor.

En cuanto haya desembalado el aparato:

- Examine el aparato y el embalaje por si han sufrido daños en el transporte. Póngase en contacto inmediatamente con el transportista si sospecha que hay algún daño.
- Anote el tipo (número del modelo), índice, número de serie, fecha de compra y lugar de compra en los espacios previstos en la tapa trasera de este manual.

Información importante sobre la seguridad

- A fin de evitar daños personales y materiales, el aparato deberá transportarse sin quitar el embalaje y emplazarse por dos personas.
- En el caso de apreciar daños en un aparato deberá consultarse inmediatamente con el distribuidor antes de proceder a su conexión.
- Para garantizar el funcionamiento seguro del aparato, proceda a su montaje y conexión sólo de acuerdo con las respectivas indicaciones de estas “Instrucciones de manejo”.
- En caso de anomalía, desconecte el aparato de la red eléctrica desenchufando el cable o desactivando/retirando el fusible.
- En caso de desconectar el aparato de la red eléctrica, retire la clavija del enchufe. No tire el cable.
- Cualquier trabajo de reparación o mantenimiento deberá realizarse exclusivamente por personal autorizado del Servicio Técnico. De lo contrario podrían originarse riesgos considerables para el usuario. Lo mismo rige para la sustitución del cable de alimentación.
- Los helados, sobre todo los elaborados con agua (polos) o los cubitos de hielo, no deberán ingerirse inmediatamente después de extraerlos del congelador. El bajo nivel de temperaturas produce “efectos de quemaduras”.
- No consuma los alimentos pasados de la fecha de caducidad. Riesgo de intoxicación.
- El aparato no sirve para almacenar materias explosivas o envases a presión con propelentes inflamables (como butano, propano, pentano o similares). El gas de un escape fortuito podría inflamarse debido a los elementos eléctricos. Tales envases a presión suelen llevar impresa la composición de su contenido o el símbolo de la llama.
- No permita que los niños jueguen con el aparato. Los niños no deben subirse, sentarse ni situarse en las baldas, los cajones o la puerta.
- Para prevenir posibles heridas debidas a una electrocución, asegúrese de desconectar el cable de alimentación o de apagar el disyuntor antes de limpiar el aparato.
- Para prevenir posibles heridas o daños al aparato, no utilice aparatos de limpieza a vapor para limpiar el aparato.
- No haga funcionar el aparato en presencia de vapores explosivos.
- En caso de un corte de electricidad, reduzca al mínimo la apertura de la(s) puerta(s) del aparato. Proteja los alimentos colocando hielo seco encima de los paquetes o usando un almacén local de alimentos congelados si el fallo de suministro es de larga duración. No intente congelar de nuevo los alimentos que se hayan descongelado.

SEGURIDAD

Seguridad eléctrica

Conecte este aparato a un circuito de 15 amp o 20 amp, 110 – 120 V c.a., que esté puesto a tierra y protegido por un disyuntor o un fusible.

Recomendamos utilizar un circuito especial para este aparato para evitar la sobrecarga del circuito y la posibilidad de que se apague el aparato.

Este aparato está equipado con un enchufe de tres clavijas (puesto a tierra) polarizado para su protección frente a posibles descargas eléctricas.

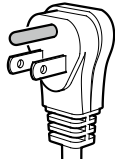
Cuando la toma de la pared sea de dos clavijas, contacte con un electricista cualificado y haga que lo sustituya por una toma de tres clavijas (puesta a tierra) de conformidad con todos los códigos y ordenanzas locales.

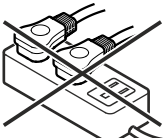


¡ADVERTENCIA!

Peligro de electrocución.

Es necesaria una puesta a tierra eléctrica.

- **No retire la clavija de puesta a tierra redonda del enchufe.** → 
- **No utilice alargaderas o adaptadores sin puesta a tierra (de dos clavijas).**
- **No utilice un cable de alimentación que esté deshilachado o dañado.**

- **No utilice una regleta de alimentación.** → 

Si no se siguen estas instrucciones, se pueden provocar fuegos, descargas eléctricas o incluso la muerte.

Reglamentaciones de seguridad

El aparato está diseñado para enfriar, congelar y almacenar alimentos, así como para la preparación de helados y de cubitos de hielo. Se ha concebido para su utilización en los hogares.

IMPORTANTE

El aparato no está planeado para uso en exteriores.

El aparato está previsto para el funcionamiento a determinadas temperaturas ambiente.

La clase climática indica a qué temperatura ambiente se puede poner en funcionamiento el aparato para poder alcanzar toda la capacidad frigorífica.

Clase climática

SN-T

Temperatura ambiente

50°F a 109°F (10°C a 43°C)

IMPORTANTE

No se debe poner en funcionamiento el aparato a temperaturas ambiente que estén fuera de los márgenes indicados.

- La estanqueidad del circuito de frío ha sido sometida a prueba.
- El aparato cumple con las prescripciones de seguridad específicas de las directivas

CAN/CSA C22.2 No.60335-1-11

UL 60335-1 cinco edición

CAN/CSA C22.2 No.60335-2-24-06

UL 60335-2-24 primera edición

Recomendamos limpiar el aparato antes de encenderlo por primera vez. Consulte el capítulo **Limpieza**.

Encienda el aparato varias horas antes de cargarlo.

En todo caso deberá disponerse de una temperatura mínima de 0°F (-18°C).



¡ADVERTENCIA!

No permita que los niños jueguen con el aparato. Los niños no deben subirse, sentarse ni situarse en las baldas ni la puerta.

Hay riesgo que puede provocar lesiones graves o la muerte si no tienen en cuenta las prescripciones de seguridad.

FILTRO DE AGUA

Filtro de agua - Figura 1

Antes de encender el aparato, instale el filtro de agua suministrado en la pared de fondo del compartimiento frigorífico. Esto asegura una buena calidad de los cubitos de hielo y mantiene el circuito exento de sólidos, tales como la arena.

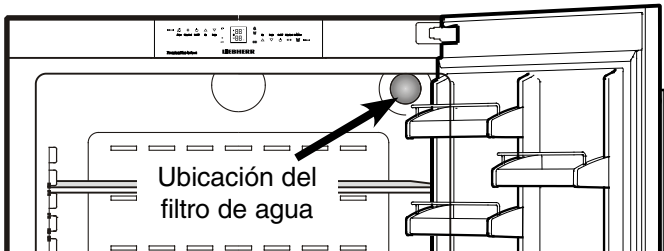
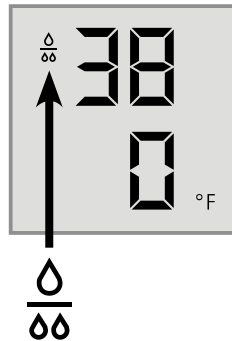


Figura 1

Reemplace el filtro cuando la pantalla de temperatura muestre el símbolo de la gota. Se pueden obtener filtros de su Representante o Distribuidor Liebherr.



Instalación del filtro de agua - Figura 2, Figura 3

1. Quite la tapa del receptáculo para el filtro.

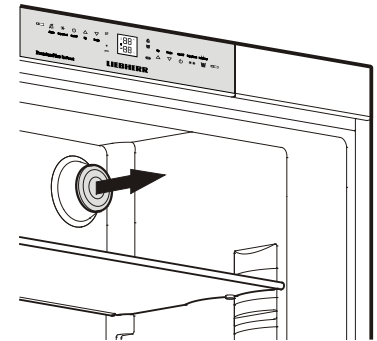


Figura 2

2. Inserte el filtro y rotarlo 90° en el sentido horario.

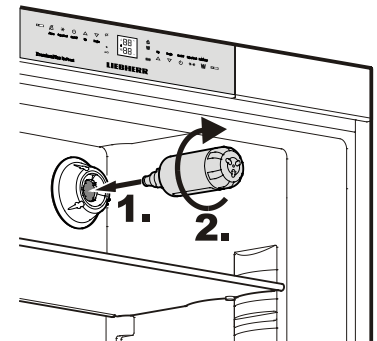


Figura 3

⚠ ADVERTENCIA

Pare evitar el riesgo de formación de bacterias ¡debe cambiar el filtro de agua cuando aparezca el símbolo de la gota en la pantalla!

NOTA IMPORTANTE

No es necesario apagar el suministro de agua cuando se retire o se instale el filtro de agua.

Extracción del filtro de agua - Figura 4

3. Gire el filtro 90° en sentido antihorario y retírelo.

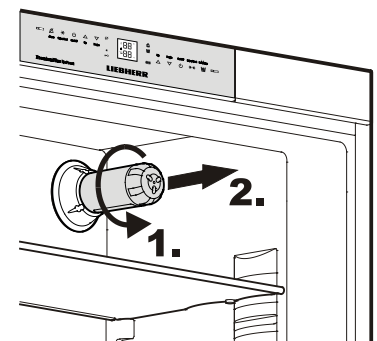


Figura 4

DOTACIÓN

Descripción y dotación del aparato - Figura 5

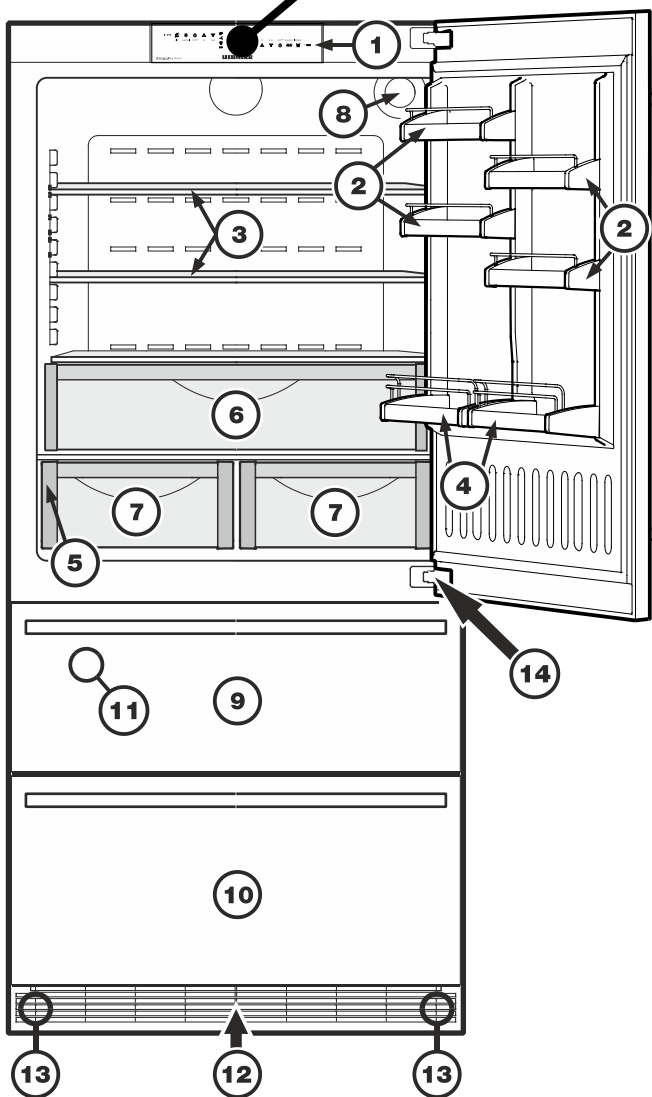
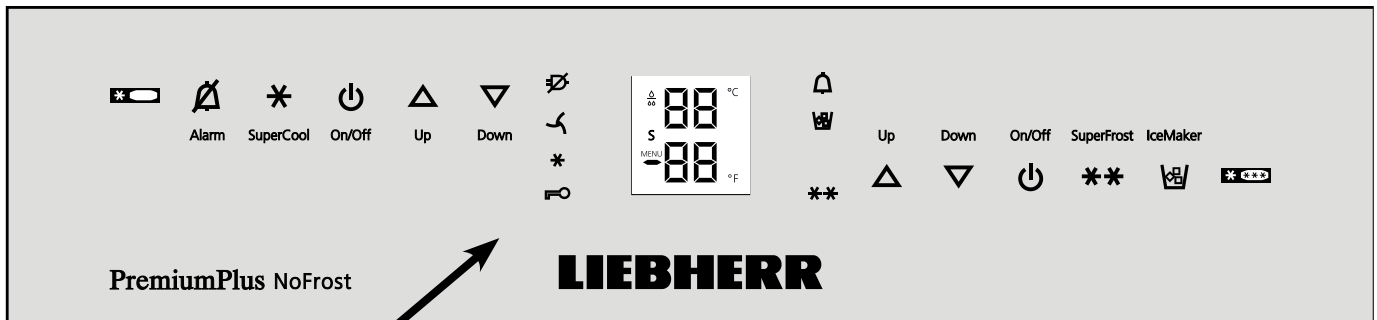


Figura 5

Descripción del frigorífico

- (1) Elementos de mando y control
- (2) Estantes de puerta desplazables
- (3) Baldas adaptables en altura
- (4) Estante para botellas grandes
- (5) Placa de características (detrás del cajón para fruta/verdura a la izquierda)
- (6) Cajón
- (7) Cajones para fruta/verdura
- (8) Filtro de agua


Descripción del congelador

- (9) Cajón superior del congelador
- (10) Cajón inferior del congelador
- (11) Fabricador de hielo IceMaker (dentro del cajón superior del congelador)
- (12) Rejilla de aireación
- (13) Unidad de ajuste de altura (detrás de la rejilla de aireación)
- (14) Bisagra inferior

ELEMENTOS DE MANDO Y CONTROL

Elementos de mando y control - Figura 6, Figura 7

El panel de mandos electrónico tiene la nueva "Tecnología de contacto". Se puede activar cualquier función pulsando con un dedo los iconos de funcionamiento.

El punto exacto de contacto está entre el símbolo y el rótulo 

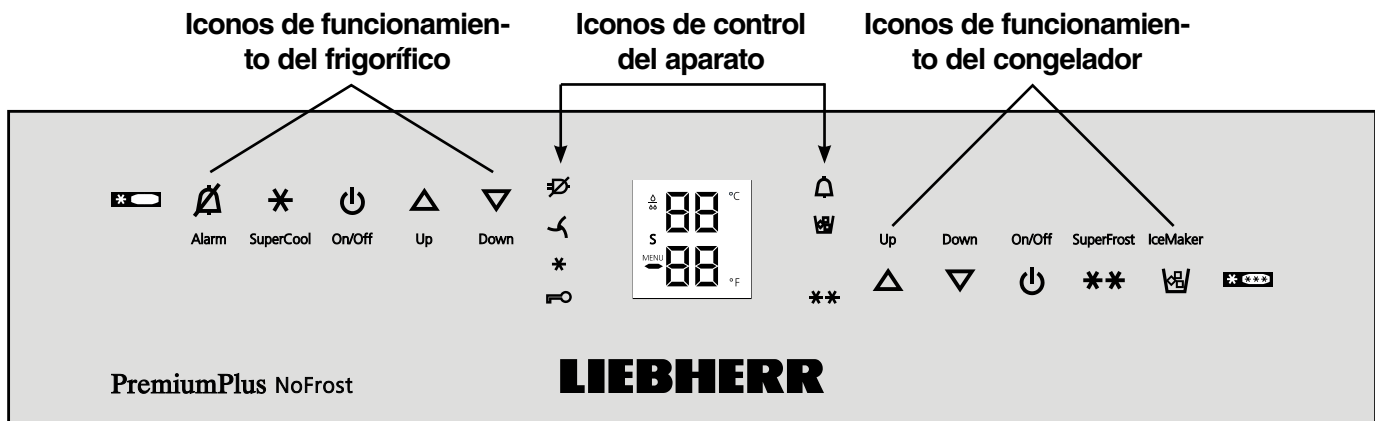







Figura 6




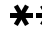

Iconos de funcionamiento del frigorífico

-  Apagar avisador acústico (frigorífico y congelador)
-  Supercool
-  Frigorífico On/Off (ENCENDIDO/APAGADO)
-  Icono de ajuste Up (para aumentar la temperatura del frigorífico)
-  Icono de ajuste Down (para disminuir la temperatura del frigorífico)

Iconos de control del aparato

-  Piloto LED de corte de corriente
-  Piloto LED del filtro de aire. Cuando este piloto LED se ilumina, debe limpiarse el filtro de aire en el área del zócalo.
-  Piloto LED Supercool
-  Piloto LED de protección contra la manipulación por parte de niños
-  Piloto LED de alarma
-  Piloto LED de fabricante de hielo ENCENDIDO
-  Piloto LED Superfrost

Iconos de funcionamiento del congelador

-  Icono de ajuste Up (para aumentar la temperatura del congelador)
-  Icono de ajuste Down (para disminuir la temperatura del congelador)
-  Congelador On/Off (ENCENDIDO/APAGADO)
-  Superfrost
-  Fabricador de hielo On/Off (ENCENDIDO/APAGADO)

Pantalla de temperatura y control

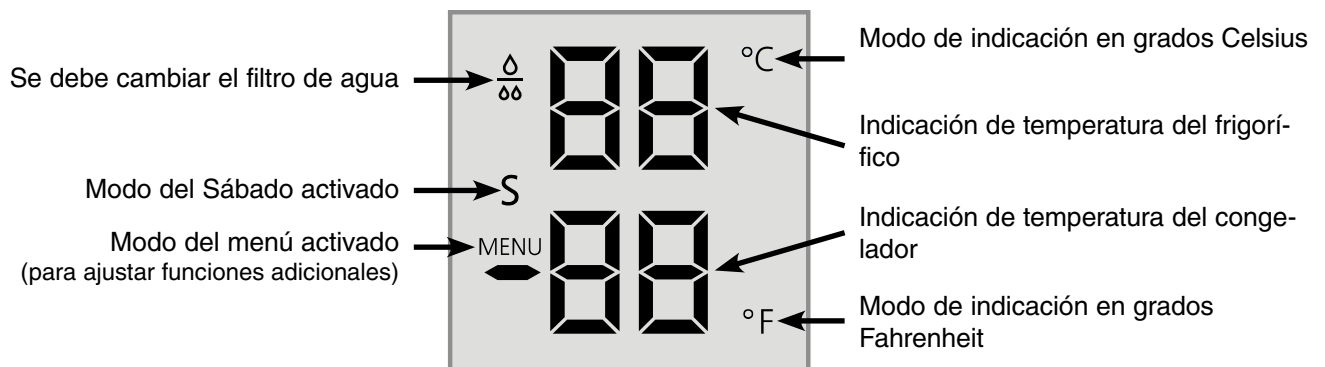


Figura 7

FUNCIONAMIENTO

Conexión/Desconexión del aparato - Figura 8

Se recomienda limpiar el aparato antes de ponerlo en servicio (véase el capítulo **Limpieza**).

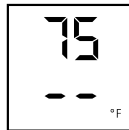
NO introducir alimentos congelados en el congelador, antes de disponerse de una temperatura mínima de 0°F (-18°C). El frigorífico y el congelador podrán funcionar con independencia el uno del otro.

1. Conexión:

Pulse el icono On/Off del frigorífico

y el icono On/Off del congelador

de modo que las respectivas indicaciones de temperatura y se encienden.



La iluminación interior se encenderá si se abre una de las puertas del frigorífico o uno de los cajones del congelador.

2. **Desconexión:** Para apagar el frigorífico o el congelador, pulse el icono On/Off correspondiente durante aproximadamente 3 segundos para que la pantalla de temperatura y las luces interiores se apaguen.

Ajuste de temperatura - Figura 8

El aparato se suministra de serie con el ajuste de temperatura para el funcionamiento normal. Se recomienda 38°F (3°C) para el frigorífico y 0°F (-18°C) para el congelador.

Bajar la temperatura (frío más intenso):

Pulse el icono DOWN de la izquierda para disminuir la temperatura del frigorífico y el icono DOWN de la derecha para disminuir la temperatura del congelador.

Subir la temperatura (frío menos intenso):

Pulse el icono UP de la izquierda para aumentar la temperatura del frigorífico y el icono UP de la derecha para aumentar la temperatura del congelador.

1. Durante la selección de temperatura, el sistema indicará **el valor de ajuste parpadeando**.
2. Cuando se pulsan los iconos de ajuste de temperatura por primera vez, la pantalla muestra los valores más recientes.
3. Pueden cambiarse los valores en incrementos de 1°F (1°C) pulsando los iconos brevemente. Si los iconos se mantienen apretados los valores de temperatura cambiarán más rápidamente.
4. Aproximadamente 5 segundos después de liberar el icono, la pantalla mostrará automáticamente la temperatura de congelación o refrigeración real.
5. Los márgenes de la selección de temperatura se hallan para el
 - **frigorífico** entre 36°F y 44°F (2°C y 6°C) y para el
 - **congelador** entre -15°F y 7°F (-27°C y -14°C).

Iconos de ajuste de temperatura - Frigorífico

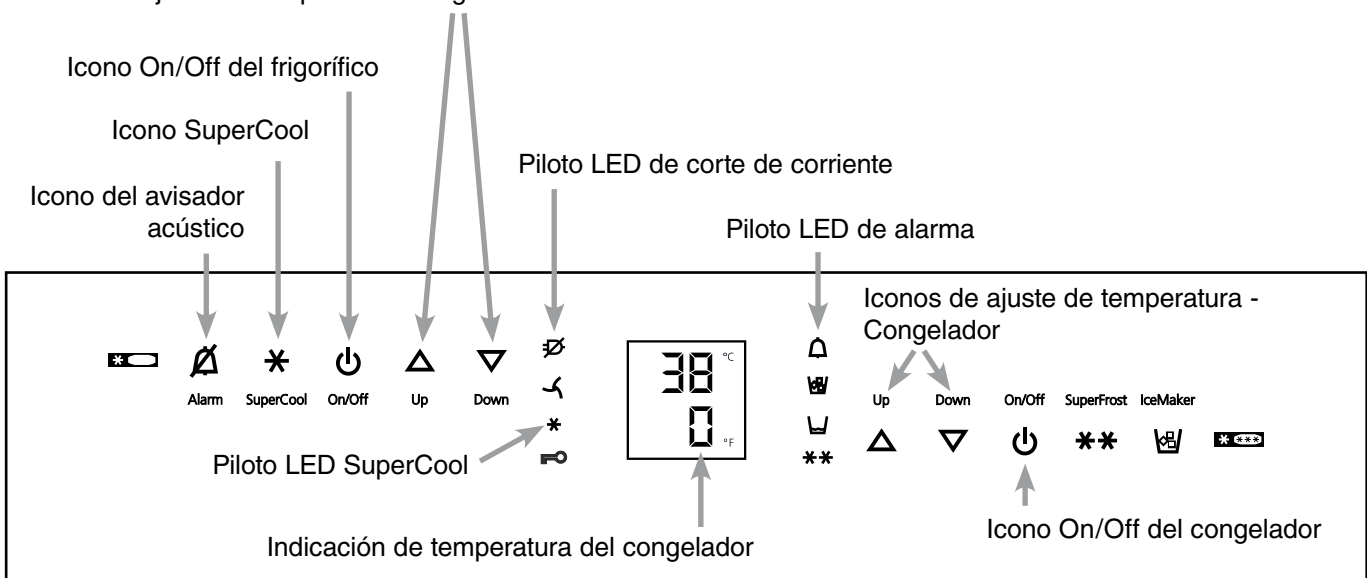


Figura 8

Indicación de temperatura - Figura 8

Con funcionamiento normal luce:

- en la pantalla para el frigorífico, la temperatura media,
- en la pantalla para el congelador, la temperatura más caliente de los productos congelados.

Cuando se inicia por primera vez o cuando el aparato está templado, la pantalla mostrará la temperatura del congelador con guiones, hasta que la temperatura en el compartimento congelador sea de 32°F (0°C).




Según sean las condiciones ambientales y el ajuste, tarda aproximadamente de 3 a 8 horas hasta que se alcanza y se mantiene permanentemente indicada la temperatura deseada, 0°F ó 38°F (-18°C ó 3°C).

La indicación parpadea,

- cuando se modifica la temperatura y
- cuando la temperatura haya subido en unos grados (como advertencia de una pérdida de frío). Suele ocurrir, cuando, p. ej., al introducir alimentos a temperatura ambiente o cuando al extraer/recolocar alimentos ultracongelados entra aire caliente.
- En el caso de aparecer en la indicación "F1" hasta "F5", se trata de una anomalía del sistema. Es preciso dirigirse al Servicio Técnico, comunicando tal mensaje.

Indicación de corte de corriente eléctrica/FrostControl - Figura 8

Si se enciende el piloto LED de corte de corriente , significa que la temperatura del congelador ha **aumentado** demasiado durante las últimas horas o días debido a una falla en el suministro eléctrico. La indicación de temperatura del congelador parpadea al mismo tiempo.

- Si pulsa el icono del avisador acústico ahora, se mostrará la temperatura más alta registrada durante la falta de corriente.
- Según el aumento de temperatura producido o incluso la descongelación de los ultracongelados, será preciso comprobar la calidad de los alimentos.
- Esta temperatura de menor frío ("la más caliente") aparecerá durante aprox. 1 minuto. Después el sistema electrónico reflejará la temperatura real del congelador.

La indicación se puede apagar pulsando de nuevo el icono del avisador acústico.

Avisador acústico - Figura 8


Este dispositivo sirve para proteger la calidad de los alimentos almacenados en el congelador y ahorrar energía.

La señal acústica se silencia pulsando el icono del avisador acústico.

Avisador acústico de la puerta

La señal acústica se disparará siempre, cuando la puerta permanece abierta más de 180 seg. La desactivación de la señal acústica es efectiva, mientras que la puerta esté abierta. Una vez cerrada, el sistema de alarma vuelve a estar automáticamente en disposición de servicio.

Avisador acústico de la temperatura

La señal acústica se disparará siempre, cuando la temperatura congeladora resulte insuficiente. La *indicación de temperatura* y el *piloto LED de alarma*  *parpadean al mismo tiempo.*


La causa puede ser:

- la introducción de alimentos a temperatura ambiente,
- la entrada de demasiado aire del ambiente al recolocar o extraer ultracongelados
- una falla en el aparato.

La indicación de temperatura parpadeará hasta que se haya eliminado la situación de "alarma", cambiando el sistema del parpadeo a encendido continuo. Con ello, el avisador acústico vuelve a estar automáticamente en disposición de servicio.


Función Supercool - Figura 8

Si pulsa el icono Supercool, el compartimento frigorífico cambia a enfriamiento máximo. Se recomienda especialmente para enfriar una mayor cantidad de alimentos, bebidas, repostería o comida recién hecha lo más rápidamente posible.

- **Conexión:** Pulse el icono Supercool brevemente para encender el piloto LED . La temperatura de refrigeración baja hasta alcanzar su valor mínimo.

IMPORTANTE

Supercool requiere un aumento del consumo energético, pero después de aprox. 6 horas el sistema electrónico cambiará automáticamente al funcionamiento normal de ahorro energético. Según necesidad, la función Supercool podrá desactivarse anticipadamente.

- **Desconexión:** Pulse nuevamente el icono Supercool hasta que se apague el piloto LED .

FUNCIONAMIENTO

Modo de configuración - Figura 9

En el Modo de configuración se pueden activar las funciones siguientes:

⏸ = Modo del Sábado

⏹ = Protección contra manipulaciones infantiles

↺ = Reset del símbolo de la gota

⏏ = Prueba de funcionamiento del fabricante de hielo (solo para personal de servicio)

⏶ = Cantidad de agua para la cubitera

⏷ = Modo de indicación de temperatura

⏸ = Intensidad luminosa de la indicación

⏹ = Control de calefacción de la bisagra inferior

⏏ = Reinicio del piloto LED del filtro de aire

Cómo activar el Modo de configuración - Figura 9

- Pulse el icono **Superfrost** durante aproximadamente cinco segundos.
 - El **piloto LED Superfrost **** se enciende durante 5 segundos.
 - Después de 5 segundos, ⏸ va a parpadear en la pantalla.

Ahora el aparato se encuentra en Modo de configuración.

Puede seleccionar las funciones del Modo de configuración pulsando los iconos **Up/Down** del compartimiento congelador.

Nota

En el Modo de configuración, la pantalla parpadeará continuamente.

Salir del Modo de configuración:

- Pulse el icono **On/Off** del compartimiento congelador. El aparato volverá a su funcionamiento normal.



⏸ = Modo del Sábado

Esa característica toma en cuenta las exigencias religiosas del Sábado y de las Fiestas. Cuando el Modo del Sábado está activado, algunas funciones de los controles electrónicos están apagadas.

La puerta puede ser abierta y cerrada en cualquier momento.



- La iluminación queda apagada.
- El ventilador de enfriamiento queda en su estado actual: si funciona, sigue funcionando, y si está apagado, queda apagado.
- No hay alarma de puerta.
- No hay alarma de temperatura.
- Los ciclos de desescarche son independientes de la frecuencia y del tiempo de abertura de la puerta.
- El aparato va a volver al Modo del Sábado después de un apagón.

Cómo activar el Modo del Sábado

- Active el Modo de configuración pulsando el icono **SuperFrost** durante 5 segundos.
 - La pantalla muestra ⏸.
- Pulse el icono **SuperFrost**.
 - La pantalla muestra 
- Pulse de nuevo el icono **SuperFrost**.
 - La pantalla muestra 
 - El Modo del Sábado ha sido activado.
- Salga del Modo de configuración pulsando el icono **On/Off** del compartimiento congelador.

El modo del Sábado se desactiva de forma automática al cabo de 120 horas si no se desactiva antes manualmente.

Cómo desactivar el Modo del Sábado



- Active el Modo de configuración pulsando el icono **SuperFrost** durante 5 segundos.
 - La pantalla muestra ⏸.
- Pulse el icono **SuperFrost**.
 - La pantalla muestra 
- Pulse de nuevo el icono **SuperFrost**.
 - El símbolo ⏸  desaparece de la pantalla, el Modo del Sábado ha sido desactivado.
- Salga del Modo de configuración pulsando el icono **On/Off** del compartimiento congelador.

FUNCIONAMIENTO




☒ = Protección contra la manipulación por parte de niños

Mediante el sistema de protección contra la manipulación por parte de niños podrá impedirse la desconexión no deseada del aparato

Cómo activar la protección contra la manipulación por parte de niños

- Active el Modo de configuración pulsando el icono **Superfrost** durante 5 segundos.
- Pulse el icono **Down del compartimiento congelador** hasta que aparezca ☒ en la pantalla de temperatura del congelador.
- Pulse el icono **Superfrost**.
 - La pantalla muestra 
- Pulse de nuevo el icono **Superfrost**.
 - El piloto LED  se enciende y se activa la protección contra la manipulación por parte de niños.
- Salga del Modo de configuración pulsando el icono **On/Off** del compartimiento congelador.

Cómo desactivar la protección contra la manipulación por parte de niños



- Active el Modo de configuración pulsando el icono **Superfrost** durante 5 segundos.
 - La pantalla muestra 
- Pulse el icono **Superfrost**.
 - La pantalla muestra 
- Pulse de nuevo el icono **Superfrost**.
 - El piloto LED  se apaga. La protección contra la manipulación por parte de niños ha sido desactivada.
- Salga del Modo de configuración pulsando el icono **On/Off** del compartimiento congelador.

F = Reset del símbolo de la gota

Una vez reemplazado el filtro de agua, debe hacerse desaparecer el símbolo de la gota en el display.



Cómo hacer desaparecer el símbolo de la gota

- Active el Modo de configuración pulsando el icono **Superfrost** durante 5 segundos.
- Pulse el icono **Down del compartimiento congelador** hasta que aparezca F en la pantalla de temperatura del congelador.
- Pulse el icono **Superfrost**.
 - La pantalla muestra 
- Pulse de nuevo el icono **Superfrost**.
 - La pantalla muestra 
- El símbolo de la gota desaparece.
- Salga del Modo de configuración pulsando el icono **On/Off** del compartimiento congelador.

{ = Prueba de funcionamiento del fabricante de hielo

Activación solo por parte del personal de servicio.

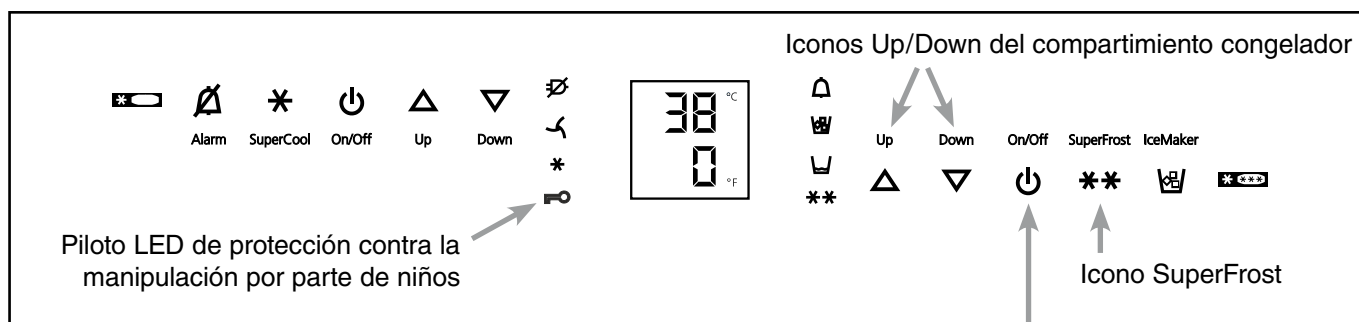


Figura 9

Icono On/Off del compartimiento congelador

FUNCIONAMIENTO

Modo de configuración - Figura 10

E = Cantidad de agua para la cubitera

Si los cubitos de hielo que produce el fabricante de hielo son muy pequeños, se puede ajustar la cantidad de agua.

Cómo ajustar la cantidad de agua

- Active el Modo de configuración pulsando el icono **Superfrost** durante 5 segundos.
- Pulse el icono **Down del compartimiento congelador** hasta que aparezca E en la pantalla de temperatura del congelador.
- Pulse el icono **Superfrost**.

- La pantalla muestra



- Pulse el icono **Up del compartimiento congelador** una vez solamente para que aparezca E 4 en la pantalla.

IMPORTANTE

No aumente a más de un paso. Si el valor es demasiado alto, la cubitera del fabricante de hielo podría desbordarse.

- Pulse de nuevo el icono **Superfrost**.
- Salga del Modo de configuración pulsando el icono **On/Off** del compartimiento congelador.

Verifique el tamaño de los cubitos de hielo en los próximos días. Si los cubitos de hielo todavía son más pequeños de lo deseado, repita los pasos anteriores de nuevo.

□ = Modo de indicación de temperatura

Puede elegir la **unidad de temperatura** para que se muestre en grados Fahrenheit o en grados Celsius.

Nota

El ajuste de fábrica es en grados Fahrenheit.

Cómo cambiar la indicación de temperatura a grados Celsius

- Active el Modo de configuración pulsando el icono **Superfrost** durante 5 segundos.
- Pulse el icono **Down del compartimiento congelador** hasta que aparezca □ en la pantalla de temperatura del congelador.
- Pulse el icono **Superfrost**.

- La pantalla muestra



- Pulse de nuevo el icono **Superfrost**.
 - Ahora se muestra la temperatura en grados Celsius.
- Salga del Modo de configuración pulsando el icono **On/Off** del compartimiento congelador.

Nota

Para cambiar nuevamente la indicación de temperatura a grados Fahrenheit, siga los pasos mencionados anteriormente.

h = Brillo de la pantalla

Cómo ajustar el brillo de la pantalla

- Active el Modo de configuración pulsando el icono **Superfrost** durante 5 segundos.
- Pulse el icono **Down del compartimiento congelador** hasta que aparezca h en la pantalla de temperatura del congelador.
- Pulse el icono **Superfrost**.

- La pantalla muestra



- Pulse los iconos **Up/Down del compartimiento congelador** para seleccionar:

h 0 = mínimo a

h 5 = máximo brillo.

- Al alcanzar el valor deseado, pulse el icono **Superfrost**.
- Salga del Modo de configuración pulsando el icono **On/Off** del compartimiento congelador.

H = Control de calefacción de la bisagra inferior

Si aparece agua de condensación en el área de la bisagra inferior o en la placa base entre el frigorífico y el congelador, aumente la potencia de la calefacción ubicada detrás de la placa base.

El ajuste de fábrica es $H\bar{A}$ = potencia media.

Cómo cambiar la potencia de calefacción

- Active el Modo de configuración pulsando el icono **Superfrost** durante 5 segundos.
- Pulse el icono **Down del compartimiento congelador** hasta que aparezca H en la pantalla de temperatura del congelador.
- Pulse el icono **Superfrost**.

- La pantalla muestra 

- Pulse los iconos **Up/Down del compartimiento congelador** para seleccionar:

$H\bar{A}$ = en caso de ligera condensación en la junta
 $H\bar{I}$ = en caso de intensa condensación en la junta
 $H\bar{0}$ = calefacción apagada

- Al alcanzar el valor deseado, pulse el icono **Superfrost**.
- Salga del Modo de configuración pulsando el icono **On/Off** del compartimiento congelador.

Nota


En condiciones ambientales normales, no se generará ningún tipo de condensación. Cuando la humedad es alta y la temperatura ambiente es baja, esta función ayuda a evitar la condensación.

n = Reinicio del piloto LED del filtro de aire


Después de haber limpiado el filtro de aire en el área del zócalo, se debe reiniciar el piloto LED del filtro de aire. Para obtener información sobre cómo limpiar el filtro de aire, Vea el capítulo "Limpieza".

Cómo reiniciar el piloto LED del filtro de aire

- Active el Modo de configuración pulsando el icono **Superfrost** durante 5 segundos.
- Pulse el icono **Down del compartimiento congelador** hasta que aparezca n en la pantalla de temperatura del congelador.
- Pulse el icono **Superfrost**.

- La pantalla muestra 

- Pulse de nuevo el icono **Superfrost**.

- La pantalla muestra 

- El piloto LED del filtro de aire se apaga.
- Salga del Modo de configuración pulsando el icono **On/Off** del compartimiento congelador.

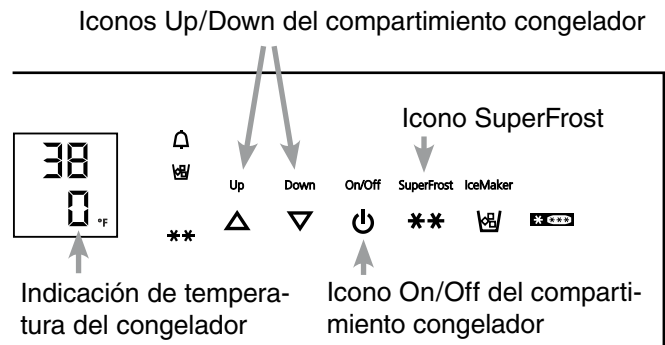


Figura 10

COMPARTIMIENTO FRIGORÍFICO

Reparto de los alimentos - Figura 11

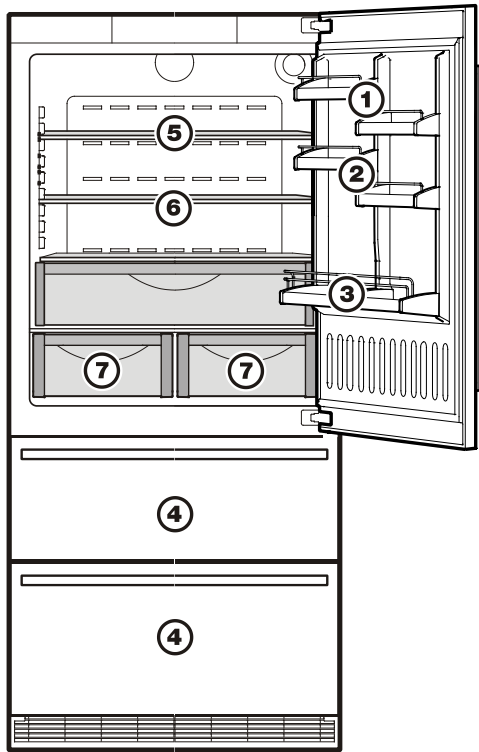


Figura 11

- (1) Mantequilla, queso
- (2) Huevos, bebidas, latas, botellas
- (3) Contenedores de un volumen de 1 galón
- (4) Alimentos congelados, cubitos de hielo
- (5) Carne, embutido, productos lácteos
- (6) Pan, repostería, alimentos precocinados
- (7) Fruta, verdura, lechuga

IMPORTANTE

- Guardar los alimentos que desprenden/ absorben olores/sabores, así como líquidos en recipientes tapados.
- Almacenar el alcohol de muchos grados tan sólo herméticamente cerrado y en posición vertical.
- Fruta, verdura y lechuga pueden almacenarse en el cajón sin embalaje.

Modificación de los elementos de dotación interior

Extracción del cajón para fruta/verdura

Extraer del todo el cajón, cogerlo de la parte posterior y levantarlo - Figura 12.

Colocación del cajón para fruta/verdura

Colocar el cajón en las guías completamente extraídas (las guías tienen que encajar en la parte frontal del cajón) e introducirlo.

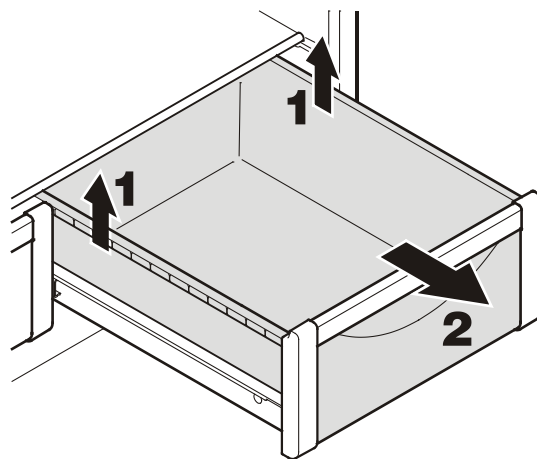


Figura 12

COMPARTIMIENTO FRIGORÍFICO

Desplazar las baldas - Figura 13

1. Sostenga la balda con la mano para evitar que se vuelque hacia atrás al extraerla.
2. Levante el frente de la balda.
3. Extraiga la balda hacia adelante hasta que el recorte circular de la balda esté en línea con la cubierta de la iluminación interior.
4. Levante o baje la balda y colóquela en la posición deseada.

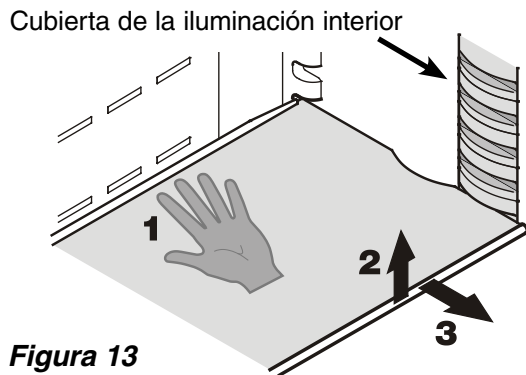


Figura 13

Extracción de las baldas - Figura 14

1. Siga los tres primeros pasos del capítulo anterior.
2. Baje la balda y deténgase justo sobre el cajón para fruta/verdura superior.
3. Mueva el frente de la balda hacia arriba hasta que se encuentre en posición vertical.
4. Gire la balda hacia la derecha y retírela.

⚠ ADVERTENCIA

Para evitar que se caiga, siempre sostenga la balda con ambas manos al extraerla.

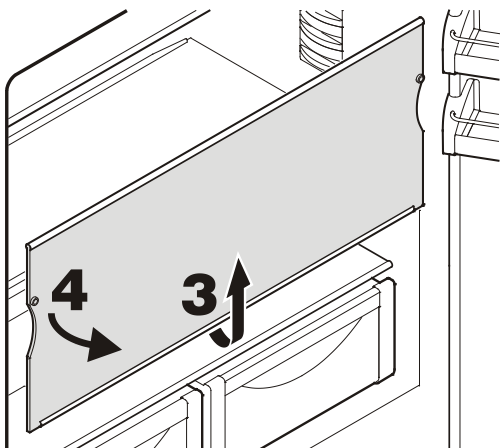


Figura 14

Iluminación interior

La iluminación interior está ubicada a la izquierda, derecha y arriba del compartimiento frigorífico (**Figura 15**) y por encima de cada cajón en el compartimiento congelador. Se enciende si se abre una de las puertas o uno de los cajones del congelador.

La luz se apaga automáticamente si una de las puertas o uno de los cajones del congelador ha permanecido abierto durante aproximadamente 15 minutos. Al mismo tiempo suena el avisador acústico.

La intensidad de la luz LED equivale a la clase de láser 1/1M.

IMPORTANTE

La protección de la luz solo puede ser retirada por el Servicio Técnico.

⚠ ¡PRECAUCIÓN!

Riesgo de daño ocular.

Cuando la protección esté retirada, no mirar directamente a la luz con lentes ópticas desde cerca.

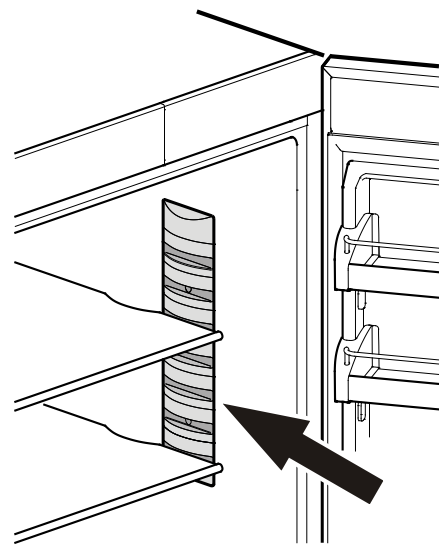


Figura 15

COMPARTIMIENTO CONGELADOR

Descripción del compartimiento congelador

El fabricante de hielo está situado en el cajón superior, en el lado izquierdo.

Los cubitos de hielo caen dentro del cajón desde el fabricante de hielo.

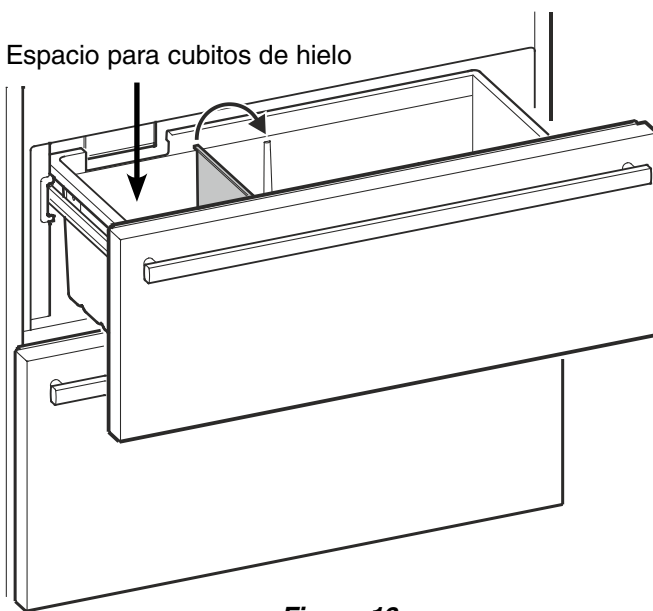
El cajón superior está dividido con una placa de separación para guardar cubitos de hielo en la parte izquierda del cajón (**Figura 16**).

Si necesita más espacio para guardar los cubitos de hielo, retire la placa de separación hacia arriba y vuelva a insertarla en el raíl adyacente (**Figura 16**).

Si necesita todo el cajón para guardar los cubitos de hielo, puede retirarse la placa de separación tirando hacia arriba y hacia fuera.

Si necesita todo el cajón superior para congelar y guardar alimentos, apague el fabricante de hielo (vea el capítulo "Conexión y desconexión del fabricante de hielo").

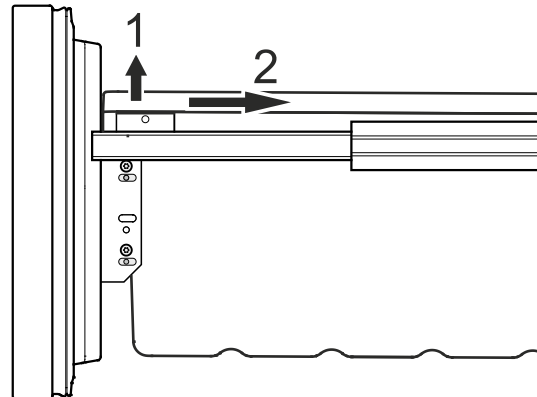
El cajón inferior está previsto para congelar y guardar alimentos. También pueden guardarse cubitos de hielo en este cajón.



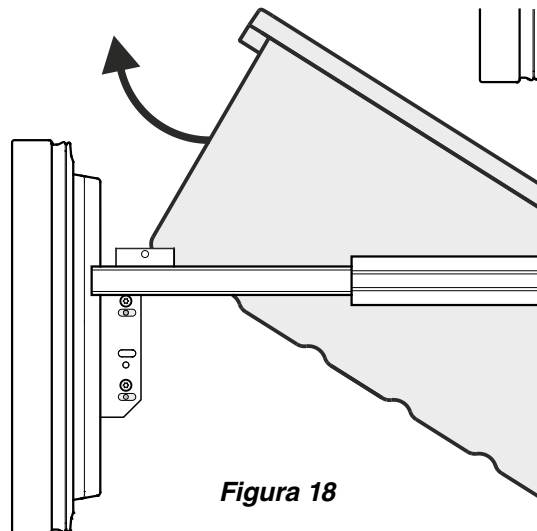
Retirar los recipientes del compartimiento congelador

Se pueden retirar los recipientes de los dos cajones del congelador.

- Desenclave el recipiente por el canto izquierdo y derecho tirándolo hacia arriba (1) - **Figura 17**.
- Deslice el recipiente hacia atrás (2) - **Figura 17**.



- Incline el recipiente y retírelo - **Figura 18**.



Instale el recipiente siguiendo los pasos en el orden inverso.

COMPARTIMIENTO CONGELADOR

Congelación

El proceso de congelación total de los alimentos frescos tiene que ser rápido. Para este cometido sirve la función Superfrost. Tan sólo así se conservarán las riquezas alimenticias, el color y sabor natural de los alimentos.

Congelar con Superfrost - Figura 19

- Pulse el icono Superfrost brevemente de modo que se encienda el piloto LED **.
- Esperar 24 horas.
- Coloque a continuación los alimentos frescos en el congelador.
- La función Superfrost se desactivará automáticamente según la cantidad de alimentos introducidos y -como muy pronto- después de 30 horas o -como muy tarde- pasadas 65 horas.

Una vez concluido el proceso congelador (el piloto LED ** de Superfrost se apaga), el congelador vuelve a su funcionamiento normal de ahorro energético.

IMPORTANTE

No es necesario activar la función Superfrost

- *al introducir alimentos ultracongelados,*
- *al congelar a diario pequeñas cantidades de alimentos frescos de hasta aprox. 4-1/2 lbs (2 kg).*

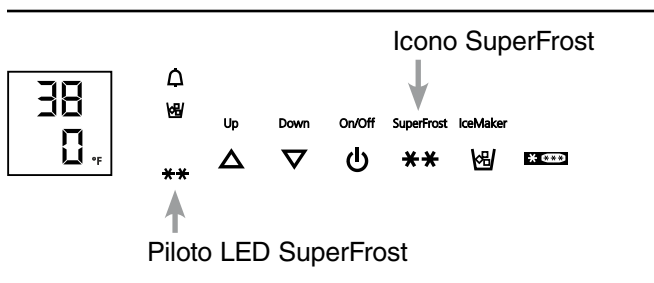


Figura 19

Sugerencias para congelar y almacenar

- Embale los alimentos ultracongelados en bolsas de plástico especiales para la congelación de alimentos o recipientes reutilizables de material sintético o de metal (aluminio).
- Hay que procurar que los alimentos recién introducidos no contacten con los productos ultracongelados. Los envases tienen que estar exteriormente secos, para evitar que queden "pegados" entre sí.
- Para evitar el deterioro de los alimentos, marque los envases con fecha y contenido. ¡No pase nunca de las fechas tope de caducidad recomendadas!
- Los alimentos de congelación casera siempre deberán envasarse en raciones apropiadas de acuerdo con las necesidades de cada caso. A fin de que la congelación se realice con la mayor rapidez posible, hay que atenerse a las siguientes cantidades máximas por envase:
 - Fruta, verdura = hasta 2-1/4 lbs (1 kg)
 - Carne = hasta 5-1/2 lbs (2,5 kg)
- No congele jamás latas o botellas con bebidas gaseosas, ya que reventarían. ¡Al enfriar bebidas rápidamente, las botellas han de sacarse del congelador a la hora de haberlas introducido!
- Extraiga solamente la cantidad que se necesitará realmente. Elabore los alimentos descongelados lo más rápidamente posible, preparando platos de consumo inmediato o precocinados. Existen varios procedimientos de descongelación:
 - en el horno microondas
 - en el frigorífico: es el procedimiento de descongelación lo más seguro porque la posibilidad de generación de gérmenes es reducida al mínimo. Este procedimiento se recomienda para alimentos de alta densidad, p. ej. asados o aves.

ICEMAKER

Advertencias generales y concernientes a la seguridad para el fabricante de hielo automático

- El fabricante de hielo sirve exclusivamente para la producción de cubitos de hielo en cantidades domésticas.
- Todas las reparaciones o intervenciones en el fabricante de hielo sólo se deben ejecutar por parte del Servicio Técnico o por profesionales especializados para ello.
- **Las tres primeras producciones de cubitos de hielo no se deben consumir ni emplear. Esto vale tanto para la puesta en servicio, como también para después de una larga puesta fuera de servicio del aparato.**
- **El fabricante no responde de los daños que se originen por equipos o tuberías de agua entre la válvula magnética y la conexión de agua de la casa.**
- El fabricante de hielo solo puede producir cubitos de hielo si el compartimiento congelador está funcionando y ambos cajones del congelador están completamente cerrados.

Conexión y desconexión del fabricante de hielo (Figura 20)

Para encender el fabricante de hielo

- Pulse el icono IceMaker para que se encienda el piloto LED del fabricante de hielo.

Para apagar el fabricante de hielo

En caso de que no se necesiten cubitos de hielo, se puede poner el fabricante de hielo fuera de servicio con independencia del compartimiento congelador.

- Pulse el icono IceMaker para que se apague el piloto LED del fabricante de hielo.

Fabricador de hielo durante las vacaciones

Vea el capítulo “Consejos para las vacaciones”.

Descripción del fabricante de hielo

Una vez realizada la puesta en servicio, pueden pasar hasta 24 horas hasta que se produzcan los primeros cubitos de hielo.

Los cubitos de hielo caen dentro del cajón desde el fabricante de hielo (vea el capítulo “Descripción del compartimiento congelador”).

IMPORTANTE

Observe que las tres primeras producciones de cubitos de hielo no se deben emplear ni consumir.

Cuando los cubitos de hielo alcanzan un cierto nivel en el cajón, el aparato deja de producir cubitos de hielo automáticamente.

La capacidad de producción es de 100 a 120 cubitos de hielo en 24 horas a una temperatura de 0°F (-18°C) en el interior del compartimiento congelador.

Para obtener una capacidad máxima de aproximadamente 150 cubitos de hielo en 24 horas, active la función SuperFrost.

Tenga en cuenta que esto aumenta el consumo de energía porque el compresor estará funcionando sin interrupciones.

Nota

Si el piloto LED del fabricante de hielo parpadea, el fabricante de hielo no está recibiendo suministro de agua. Compruebe si la válvula de cierre del suministro de agua está abierta.

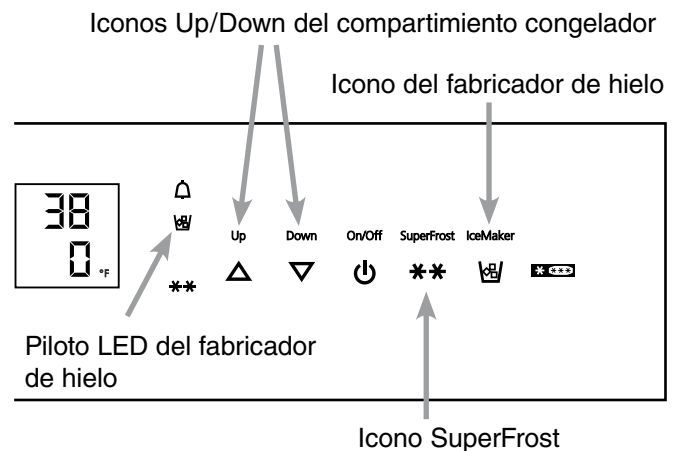


Figura 20

Desescarche

Frigorífico

El frigorífico está equipado con un sistema de desescarche automático. La humedad que se forma en la pared de fondo será conducido por un sistema evacuador a un recipiente, donde evapora debido al calor generado por el compresor.

Congelador

El sistema NoFrost se encarga del desescarche automático del congelador. La humedad procedente del proceso de desescarche, que se adhiere al evaporador, será descongelada periódicamente y evaporada.

Limpieza



¡ADVERTENCIA!

- Para prevenir posibles heridas debidas a una electrocución, asegúrese de desconectar el cable de alimentación o de apagar el disyuntor antes de limpiar el aparato.
- No emplee aparatos de limpieza a vapor. ¡Peligro de daños personales y materiales!
- Para evitar cortocircuitos, asegúrese de que no penetre agua en los componentes eléctricos mientras limpia el aparato. No utilice una esponja o trapo demasiado mojado.

No utilice esponjas y productos de efecto abrasivo, ni concentrados, ácidos o disolventes químicos.

- Retire todos los alimentos del frigorífico y del congelador y guárdelos en un lugar fresco y seco provisoriamente. Guarde los alimentos congelados en otro congelador si fuera posible.
- Retire los estantes de la cara interior de la puerta según se muestra en la **Figura 21**.
- Retire los cajones para fruta/verdura según se muestra en la **Figura 12**.
- Retire las baldas de vidrio según se muestra en la **Figura 14**.

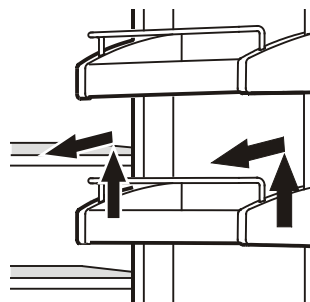


Figure 21

- Retire los recipientes de los cajones del compartimiento congelador según se muestra en las **Figuras 17 y 18**.
- Para limpiar el aparato y los elementos de la dotación se recomienda una solución de agua tibia y detergente para lavavajillas.

IMPORTANTE

No limpie los elementos de la dotación en un lavavajillas. Los listones embellecedores de estos elementos podrían aflojarse.

- Seque el aparato con un paño.
- No deteriore, ni quite la placa del modelo en el costado interior del aparato. Es de suma importancia para el Servicio Técnico.
- Instale todos los elementos de la dotación y coloque nuevamente los alimentos en el aparato.
- Encienda el aparato.

Instrucciones de limpieza para paneles de acero inoxidable

Mantenga la apariencia nueva de su acero inoxidable limpiándolo con un producto de limpieza o lustrador de buena calidad una vez por mes. Los productos de limpieza y acondicionadores de alta calidad para acero inoxidable están a la venta en los negocios.

No limpie con virulana o elementos abrasivos. No utilice productos de limpieza inadecuados para acero inoxidable, tales como limpia vidrios, productos para todo tipo de superficie, ya que los mismos pueden dañar la superficie de manera permanente.

LIMPIEZA

Limpieza del filtro de aire

- Abra el cajón inferior del congelador y destornille la rejilla de aireación - **Figura 22**.

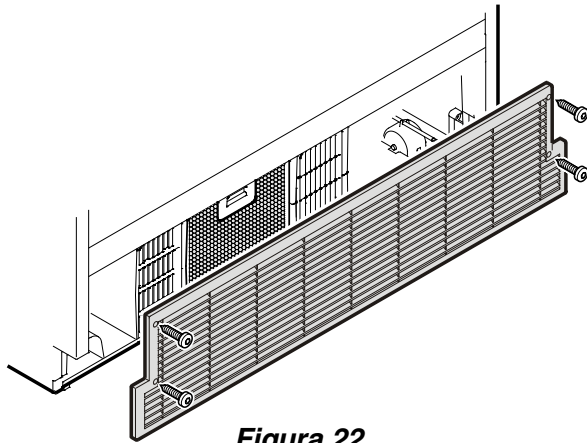


Figura 22

- Limpie el filtro en un lavavajillas o manualmente con agua tibia y detergente para lavavajillas.
- Instale el filtro de aire siguiendo los pasos en el orden inverso.
- Instale la rejilla de aireación.
- Instale todos los elementos de la dotación y coloque nuevamente los alimentos en el aparato.
- Encienda el aparato.
- Reinicie el piloto LED del filtro de aire.
Vea el capítulo **Modo de configuración** - \square = Reinicio del piloto LED del filtro de aire.

- Presione el botón del filtro de aire, inclínelo hacia adelante y retírelo - **Figura 23**.

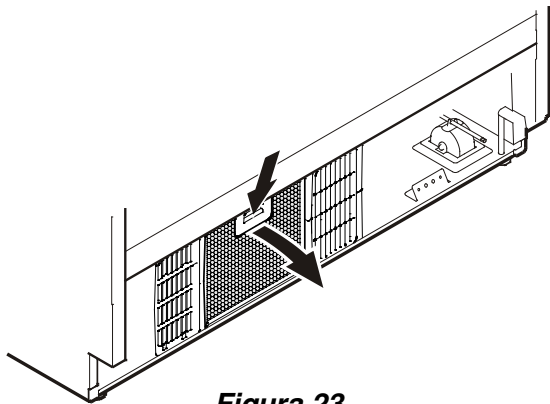


Figura 23

Consejos para las vacaciones

(Figure 24)

Vacaciones cortas

No es necesario desconectar el frigorífico y el congelador si va a estar fuera menos de cuatro semanas.

- Corte el suministro de agua hacia el fabricante de hielo.
- > Cuando el piloto LED del fabricante de hielo empieza a parpadear, el agua restante de la línea de suministro está en el fabricante de hielo.
- Deje el fabricante de hielo encendido y funcionando durante un día de forma que sean expulsados los cubitos de hielo restantes.
- Pulse el icono IceMaker para que se apague el piloto LED del fabricante de hielo.
- Transfiera todos los cubitos de hielo a la parte derecha del cajón o al cajón inferior.
- Gaste todos los productos perecederos.
- Congele el resto de productos.

Vacaciones largas

Si va a estar fuera de casa durante un mes o más:

- Corte el suministro de agua hacia el fabricante de hielo.
- > Cuando el piloto LED del fabricante de hielo empieza a parpadear, el agua restante de la línea de suministro está en el fabricante de hielo.
- Deje el fabricante de hielo encendido y funcionando durante un día de forma que sean expulsados los cubitos de hielo restantes.
- Pulse el icono IceMaker para que el piloto LED del fabricante de hielo se apague.
- Retire todos los cubitos de hielo del cajón y deséchelos.
- Extraiga todos los alimentos de los compartimentos frigorífico y congelador.
- Desconecte el frigorífico y el congelador.
- Limpie el aparato. Vea el capítulo **Limpieza**.
- Deje la puerta y ambos cajones del congelador abiertos para evitar olores desagradables. Esto también impedirá que se forme moho.

Encendido del fabricante de hielo después de las vacaciones

- Abra el suministro de agua hacia el fabricante de hielo.
- Pulse el icono IceMaker para que el piloto LED del fabricante de hielo se encienda.

IMPORTANTE

No consuma ni utilice los tres primeros lotes de cubitos de hielo después de que el fabricante de hielo no se haya utilizado durante un tiempo mayor que una semana.



Figura 24

¿ANOMALÍAS - PROBLEMAS?

¿Anomalías - Problemas?

Este aparato está construido para una larga duración de vida con la correspondiente seguridad funcional.

Si hubiera un problema durante el funcionamiento, revise si se debe a error operativo. Nótese que incluso durante el período de garantía, algunos costos de reparación pueden ser de su responsabilidad.

Las anomalías descritas a continuación las podrá solucionar el usuario mismo, comprobando las posibles causas.

Anomalía	Posible causa y solución
El aparato no funciona, la pantalla está apagada	<ul style="list-style-type: none">- ¿Está el aparato encendido correctamente?- ¿Ajusta bien la clavija del enchufe?- ¿Está el disyuntor o el fusible en perfectas condiciones?
La iluminación interior no se enciende	<ul style="list-style-type: none">- ¿Está el aparato encendido?
El motor parece funcionar demasiado tiempo	<ul style="list-style-type: none">- ¿Es demasiado alta la temperatura ambiente? Consulte el capítulo Reglamentaciones de seguridad.- ¿Se ha abierto el aparato con demasiada frecuencia o durante mucho tiempo?- ¿Se han introducidos grandes cantidades de alimentos frescos?- El aparato está en modo SuperCool. Verifique que esté en el modo normal de funcionamiento.
La temperatura no es suficientemente baja	<ul style="list-style-type: none">- ¿Se ha seleccionado la temperatura adecuada? Consulte el capítulo Ajuste de temperatura.- ¿Se han introducidos grandes cantidades de alimentos frescos?- ¿Indica el termómetro complementario colocado en el aparato el valor correcto?- ¿Es suficiente la entrada y salida de aire de ventilación?- ¿Está el lugar de emplazamiento demasiado cerca de una fuente de calor?
La indicación de temperatura del congelador muestra dos guiones “- -”	La indicación de temperatura del congelador sólo mostrará temperaturas que estén por debajo del punto de congelación. Cuando se inicia por primera vez el congelador, el aparato no estará por debajo del punto de congelación. Tardará entre tres y cinco horas (dependiendo de las condiciones ambientales) en alcanzar temperaturas de congelación y que, por lo tanto, las muestre en números. Esto también puede suceder después de una falla en el suministro eléctrico.

¿ANOMALÍAS - PROBLEMAS?

¿Anomalías - Problemas en el fabricante de hielo?

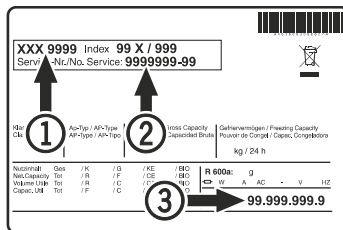
Las anomalías descritas a continuación las podrá solucionar el usuario mismo, comprobando las posibles causas.

Anomalía	Posible causa y solución
No se puede encender el fabricante de hielo	- ¿El aparato está conectado al tomacorriente?
El fabricante de hielo no prepara hielo	- ¿Está encendido? - ¿El suministro de agua está abierto? - ¿Están ambos cajones del congelador cerrados adecuadamente?

Servicio Técnico

Si no corresponde ninguna de las causas posibles anteriores, y el usuario no puede rectificar el problema, diríjase al representante más cercano de servicio técnico.

Indique el tipo (1) de aparato, el número de servicio (2) y el número de aparato/serie (3) como se señala en la placa del modelo.



La posición de la placa del modelo se puede ver en el capítulo **Descripción del aparato**.

Informaciones sobre el aparato

Apunte los presentes datos durante la instalación del aparato.

Modelo: _____

Código de servicio: _____

Número de aparato/serie: _____

Fecha de compra: _____

Lugar de compra: _____

GARANTÍA

PLAN DE GARANTÍA LIEBHERR

GARANTÍA TOTAL DE DOS AÑOS

Durante dos años a partir de la fecha original de compra, su garantía Liebherr cubre todas las piezas y mano de obra para reparar o sustituir cualquier parte del producto defectuosa en materiales o fabricación.

GARANTÍA TOTAL DE CINCO AÑOS

Durante cinco años a partir de la fecha original de compra, su garantía Liebherr cubre todas las piezas y mano de obra para reparar o sustituir cualquier componente del producto defectuoso en materiales o fabricación, del sistema hermético. El "Sistema Hermético" se refiere sólo al compresor, condensador, evaporador, secador y todas las tuberías de conexión.

GARANTÍA LIMITADA DESDE EL SEXTO AL DOCEAVO AÑO

Desde el sexto al doceavo año a partir de la fecha original de compra, su garantía Liebherr cubre todas las piezas defectuosas en materiales o fabricación, del sistema hermético (sólo piezas).

CONDICIONES APLICABLES A TODAS LAS GARANTÍAS

Todos los servicios proporcionados por Liebherr bajo la garantía deben ser efectuados por representantes autorizados de Liebherr, a menos que Liebherr lo especifique de otro modo. El servicio será efectuado en el hogar durante las horas comerciales normales. Esta garantía sólo es aplicable para los productos instalados para uso doméstico normal. Los detalles sobre las garantías no residenciales están disponibles a su petición.

Esta garantía es aplicable sólo a los productos instalados en Canadá y en cualquiera de los cincuenta estados de Estados Unidos o en el Distrito de Columbia. Esta garantía no cubre piezas ni mano de obra para corregir defectos causados por negligencia, accidente o uso, mantenimiento, instalación, servicio o reparación indebidos, incluido aunque no limitado al traslado y reinstalación inadecuados de la unidad de condensación.

LAS GARANTÍAS DESCRITAS MÁS ARRIBA SE HAN ESTABLECIDO EXPRESAMENTE EN LUGAR DE CUALESQUIERA OTRAS GARANTÍAS, EXPRESAS O IMPLÍCITAS, INCLUYENDO CUALQUIER GARANTÍA IMPLÍCITA DE COMERCIALIZACIÓN O IDONEIDAD PARA UN PROPÓSITO PARTICULAR, Y CUALQUIER OTRA OBLIGACIÓN O RESPONSABILIDAD POR PARTE DE LIEBHERR. EN NINGÚN CASO LIEBHERR SERÁ RESPONSABLE DE POSIBLES DAÑOS ESPECIALES, INCIDENTALES O RESULTANTES DERIVADOS DEL INCUMPLIMIENTO DE ESTAS GARANTÍAS O DE CUALESQUIERA OTRAS GARANTÍAS YA SEAN EXPRESAS, IMPLÍCITAS O LEGALES.

Algunos estados no permiten excluir ni limitar daños imprevistos o consecuenciales, de tal modo que la anterior limitación o exclusión puede no ser aplicable para usted. Esta garantía le otorga derechos legales específicos y usted puede tener además otros derechos que varían de estado a estado.

Para recibir piezas y/o servicio y el nombre del representante autorizado de Liebherr más próximo a usted, póngase en contacto con su distribuidor Liebherr o con el proveedor de servicio nacional Liebherr designado:

Para EE.UU.: Service-appliances.us@liebherr.com o llame al 1-866-LIEBHER o al 866-543-2437.

Para Canadá: www.euro-parts.ca o llame al 1-888-LIEBHER o al 1-888-543-2437.

For Service in the U.S.

Liebherr Service Center

Toll Free: **1-866-LIEBHER** or **1-866-543-2437**

Email: Service-appliances.us@liebherr.com

PlusOne Solutions, Inc.

3501 Quadrangle Blvd, Suite 120

Orlando, FL 32817

For Service in Canada

Liebherr Service Center

Toll Free: **1-888-LIEBHER** or **1-888-543-2437**

www.euro-parts.ca

EURO-PARTS CANADA

39822 Belgrave Road

Belgrave, Ontario, N0G 1E0

Phone: (519) 357-3320

Fax: (519) 357-1326



www.liebherr-appliances.com